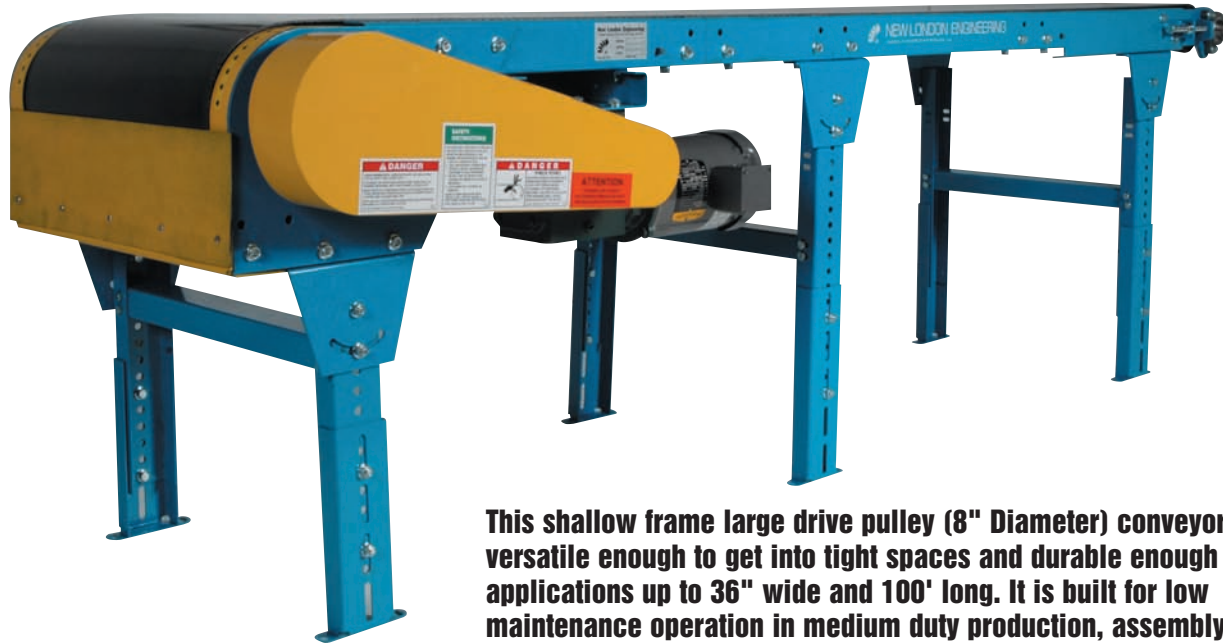


MODEL 210 Medium Duty Slider Bed

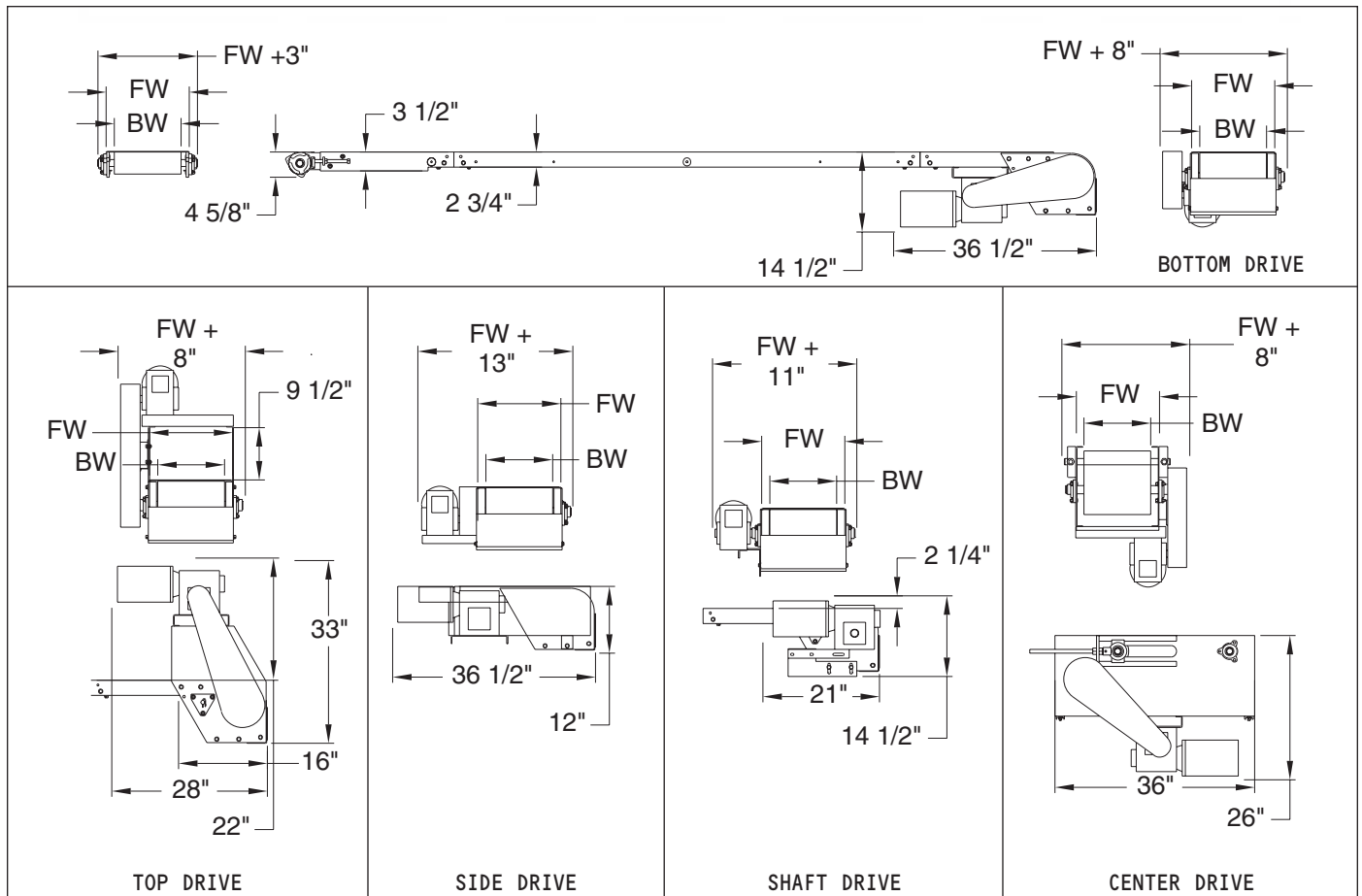


This shallow frame large drive pulley (8" Diameter) conveyor is versatile enough to get into tight spaces and durable enough for applications up to 36" wide and 100' long. It is built for low maintenance operation in medium duty production, assembly and packaging operations.



Uptime Express – 24 hour widths are shaded in blue.

Belt Width:	8"	10"	12"	14"	16"	18"	20"	24"	30"	36"
Frame Width:	11"	15"	15"	21-1/2"	21-1/2"	21-1/2"	28"	28"	34"	40"



MODEL 210 Medium Duty Slider Bed

Standard Specifications

Widths: Up to 36"

Lengths: 5'– 100' (6" Increments)
Standard Length is 5', Two Piece Bolt Together

Standard Speed: 60 FPM

Standard Motor: 1/2 HP 230/460/3/60 TEFC

Standard Drive: Bottom Mount, Right Side

Standard Belt: Black PVC 120, Clipper Lacing

Drive Pulley: 8" Dia Crown Face Rubber Lagged x 1-7/16"

Infeed Pulley: 4" Dia Crown Face Take Up x 1-3/16"

Frame: 2-3/4" Deep x 12 Gauge

Bearings: Grease Sealed

Standard Supports: 30" Elevation Top of Belt

Horizontal Conveyor Comparison Chart

Horizontal Conveyors — These units are used to convey everything from boxes to small pallets.

MODEL	DESCRIPTION	FRAME GAUGE	FRAME DEPTH	DRIVE PULLEY SIZE	DRIVE PULLEY TYPE*	DRIVE PULLEY SHAFT DIA.	INFEED PULLEY SIZE	INFEED PULLEY TYPE*	INFEED PULLEY SHAFT DIA.	STANDARD BELT	STD. DRIVE	OTHER
200	Standard duty slider bed	12	2.75"	4.625"	CFRL pulley	1.1875"	4"	CF pulley	1.1875"	2 ply black PVC 120	Bottom	Base length = 5'
210	Medium duty slider bed	12	2.75"	8.625"	CFRL pulley	1.4375"	4"	CF pulley	1.1875"	2 ply black PVC 120	Bottom	Base length = 5'
220	Medium – heavy duty slider bed	12	5.5"	8.625"	CFRL pulley	1.4375"	4"	CF pulley	1.1875"	2 ply black PVC 120	Bottom	Base length = 5'
221	Heavy duty slider bed	12	5.5"	8.625"	CFRL pulley	1.6875"	4"	CF pulley	1.4375"	2 ply black PVC 120	Bottom	Heavy shaft M220
301	Standard duty V-guided slider bed	12	6.625"	4.625"	FFRL "A" section	1.1875"	4"	FF "A" section	1.1875"	2 ply black PVC 120 "A" section V-guided	Bottom	V-guided deep frame M200
311	Medium duty V-guided slider bed	12	6.625"	8.625"	FFRL "A" section	1.4375"	4"	FF "A" section	1.1875"	2 ply black PVC 120 "A" section V-guided	Bottom	V-guided deep frame M220
321	Heavy Duty V-guided slider bed	12	6.625"	8.625"	FFRL "A" section	1.6875"	4"	FF "A" section	1.4375"	2 ply black PVC 120 "A" section V-guided	Bottom	Heavy shaft M311
640	Heavy duty belt over roller bed	12	6.5"	8.625"	CFRL pulley	1.4375"	4"	CF pulley	1.1875"	2 ply black PVC 120	Bottom @ dis.	Rollers – 2" dia. x 16 ga. x .4375" hex on 6" centers

*BM = Bottom Mount; CF = Crown Faced; CDBM = Center Drive Bottom Mount; CH = Channel; FF = Flat Faced; RL = Rubber Lagged; RA = Right Angle; Std = Standard

Unit Weights (Shipping Weights – lbs.)

BELT WIDTHS	8"	10"	12"	14"	16"	18"	20"	24"	30"	36"
LENGTHS										
5'	228	262	282	314	320	325	346	350	394	476
10'	305	341	361	394	400	405	434	438	493	596
15'	412	450	470	509	515	520	557	561	627	768
20'	489	529	549	589	595	600	645	649	726	888
25'	596	638	658	704	710	715	768	772	860	1060
30'	673	717	737	784	790	795	856	860	959	1180
35'	780	826	846	899	905	910	979	983	1093	1352
40'	857	905	925	979	985	990	1067	1071	1192	1472
45'	964	1014	1034	1094	1100	1105	1190	1194	1326	1644
50'	1041	1093	1113	1174	1180	1185	1278	1282	1425	1764
55'	1148	1202	1222	1289	1295	1300	1401	1405	1559	1936
60'	1225	1281	1301	1369	1375	1380	1489	1493	1658	2056

Conveyor weights include standard drive and supports. Accessories, crating etc. are not included.

Skid Dimensions

Model 210 — Note: these are general guidelines for freight rate estimates only. Final dimensions may vary.

BELT WIDTHS	8"	10"	12"	14"	16"	18"	20"	24"	30"	36"
Bottom, Top & Center Mount Skid Width	25"	25"	25"	25"	30"	30"	30"	41"	41"	46"
Shaft and Side Mount Skid Width	25"	30"	30"	30"	41"	41"	41"	41"	46"	56"

Skid Length – Model M210's ship knocked down on 11' long skids. Use this length for frt. estimates. Up to 50' of conveyor can be stacked on one skid.