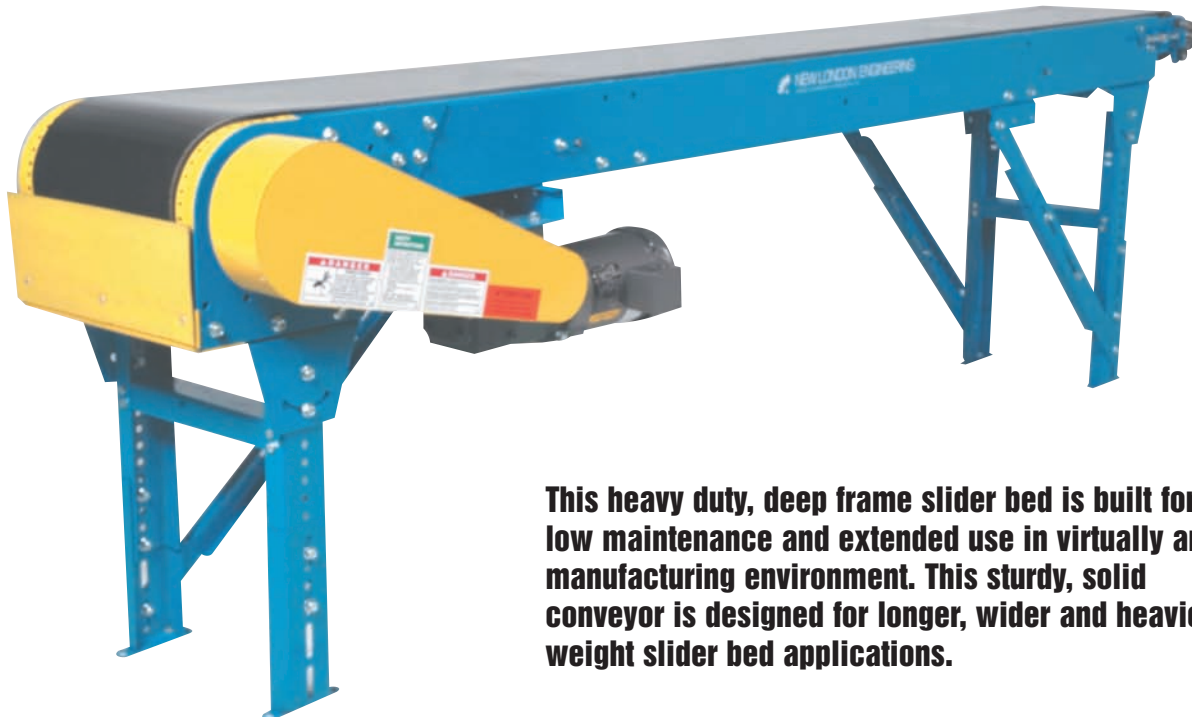


MODEL 221 Heavy Duty Slider Bed

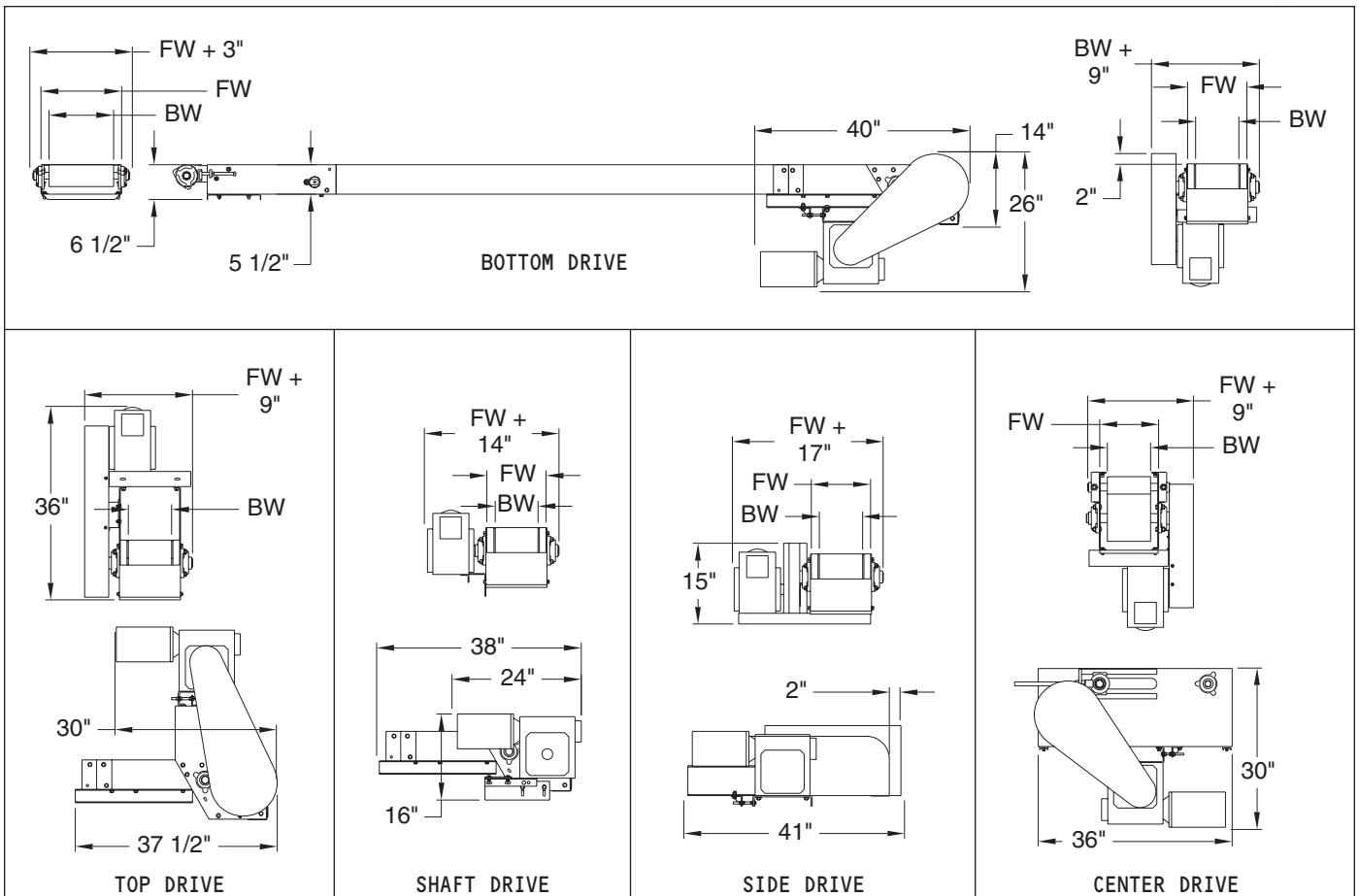


(Model 221 is a heavy drive shaft model 220)



This heavy duty, deep frame slider bed is built for low maintenance and extended use in virtually any manufacturing environment. This sturdy, solid conveyor is designed for longer, wider and heavier weight slider bed applications.

Belt Width:	8"	10"	12"	14"	16"	18"	20"	24"	30"	36"	42"	48"
Frame Width:	11"	15"	15"	21-1/2"	21-1/2"	21-1/2"	28"	28"	34"	40"	46"	52"



MODEL 221 Heavy Duty Slider Bed

Standard Specifications

Widths: Up to 48"

Lengths: 5' – 100' (6" Increments)

Standard Length is 5', Two Piece Bolt Together

Standard Speed: 60 FPM

Standard Motor: 1/2 HP 230/460/3/60 TEFC

Standard Drive: Bottom Mount, Right Side

Standard Belt: Black PVC 120, Clipper Lacing

Drive Pulley: 8" Dia Crown Face Rubber Lagged x 1-11/16"

Infeed Pulley: 4" Dia Crown Face Take Up x 1-7/16"

Frame: 5-1/2" Deep x 12 Gauge

Standard Supports: 30" Elevation Top of Belt

Horizontal Conveyor Comparison Chart

Horizontal Conveyors — These units are used to convey everything from boxes to small pallets.

MODEL	DESCRIPTION	FRAME GAUGE	FRAME DEPTH	DRIVE PULLEY SIZE	DRIVE PULLEY TYPE*	DRIVE PULLEY SHAFT DIA.	INFEED PULLEY SIZE	INFEED PULLEY TYPE*	INFEED PULLEY SHAFT DIA.	STANDARD BELT	STD. DRIVE	OTHER
200	Standard duty slider bed	12	2.75"	4.625"	CFRL pulley	1.1875"	4"	CF pulley	1.1875"	2 ply black PVC 120	Bottom	Base length = 5'
210	Medium duty slider bed	12	2.75"	8.625"	CFRL pulley	1.4375"	4"	CF pulley	1.1875"	2 ply black PVC 120	Bottom	Base length = 5'
220	Medium – heavy duty slider bed	12	5.5"	8.625"	CFRL pulley	1.4375"	4"	CF pulley	1.1875"	2 ply black PVC 120	Bottom	Base length = 5'
221	Heavy duty slider bed	12	5.5"	8.625"	CFRL pulley	1.6875"	4"	CF pulley	1.4375"	2 ply black PVC 120	Bottom	Heavy shaft M220
301	Standard duty V-guided slider bed	12	6.625"	4.625"	FFRL "A" section	1.1875"	4"	FF "A" section	1.1875"	2 ply black PVC 120 "A" section V-guided	Bottom	V-guided deep frame M200
311	Medium duty V-guided slider bed	12	6.625"	8.625"	FFRL "A" section	1.4375"	4"	FF "A" section	1.1875"	2 ply black PVC 120 "A" section V-guided	Bottom	V-guided deep frame M220
321	Heavy Duty V-guided slider bed	12	6.625"	8.625"	FFRL "A" section	1.6875"	4"	FF "A" section	1.4375"	2 ply black PVC 120 "A" section V-guided	Bottom	Heavy shaft M311
640	Heavy duty belt over roller bed	12	6.5"	8.625"	CFRL pulley	1.4375"	4"	CF pulley	1.1875"	2 ply black PVC 120	Bottom @ dis.	Rollers – 2" dia. x 16 ga. x .4375" hex on 6" centers

*BM = Bottom Mount; CF = Crown Faced; CDBM = Center Drive Bottom Mount; CH = Channel; FF = Flat Faced; RL = Rubber Lagged; RA = Right Angle; Std = Standard

Unit Weights (Shipping Weights – lbs.)

BELT WIDTHS	6"	8"	10"	12"	14"	16"	18"	20"	24"	30"	36"	42"	48"
LENGTHS													
5'	253	301	338	343	383	388	393	429	434	465	500	590	660
10'	350	401	438	443	488	493	498	544	549	595	655	760	850
15'	482	537	574	579	630	635	640	697	702	764	850	971	1082
20'	579	637	674	679	735	740	745	812	817	894	1005	1141	1272
25'	711	773	810	815	877	882	887	965	970	1063	1200	1352	1504
30'	808	873	910	915	982	987	992	1080	1085	1193	1355	1522	1694
35'	940	1009	1046	1051	1124	1129	1134	1233	1238	1362	1550	1733	1926
40'	1037	1109	1146	1151	1229	1234	1239	1348	1353	1492	1705	1903	2116
45'	1169	1245	1282	1287	1371	1376	1381	1501	1506	1661	1900	2114	2348
50'	1266	1345	1382	1387	1476	1481	1486	1616	1621	1791	2055	2284	2538
55'	1398	1481	1518	1523	1618	1623	1628	1769	1774	1960	2250	2495	2770
60'	1495	1581	1618	1623	1723	1728	1733	1884	1889	2090	2405	2665	2960

Conveyor weights include standard drive and supports. Other options, crating etc. are not included.

Skid Dimensions

Model 221 — Note: these are general guidelines for freight rate estimates only. Final dimensions may vary.

BELT WIDTHS	8"	10"	12"	14"	16"	18"	20"	24"	30"	36"	42"	48"
Bottom, Top & Center Mount Skid Width	25"	25"	25"	25"	30"	30"	41"	41"	41"	47"	53"	59"
Shaft and Side Mount Skid Width	25"	25"	30"	30"	41"	41"	41"	41"	46"	52"	58"	64"

Skid Length – Model M221's ship knocked down on 11' long skids. Use this length for frt. estimates. Up to 50' of conveyor can be stacked on one skid.