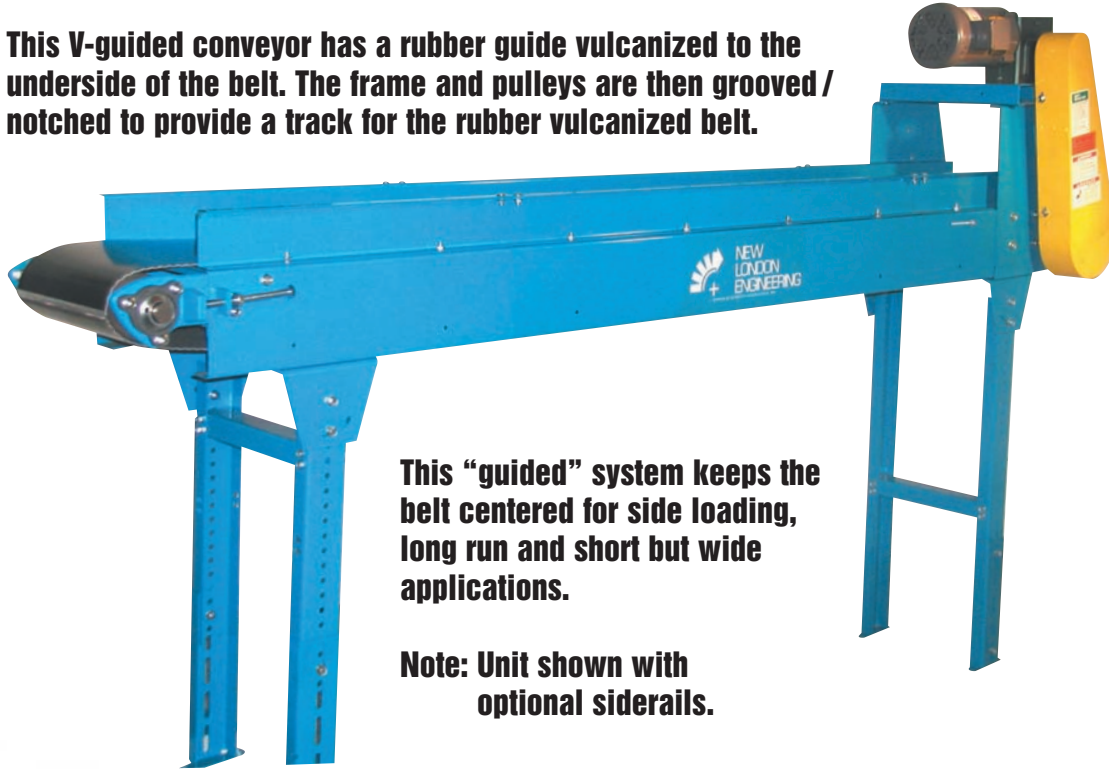


MODEL 301 Standard Duty V-Guided Slider Bed



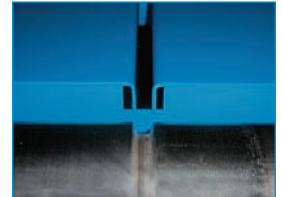
This V-guided conveyor has a rubber guide vulcanized to the underside of the belt. The frame and pulleys are then grooved / notched to provide a track for the rubber vulcanized belt.



This "guided" system keeps the belt centered for side loading, long run and short but wide applications.

Note: Unit shown with optional siderails.

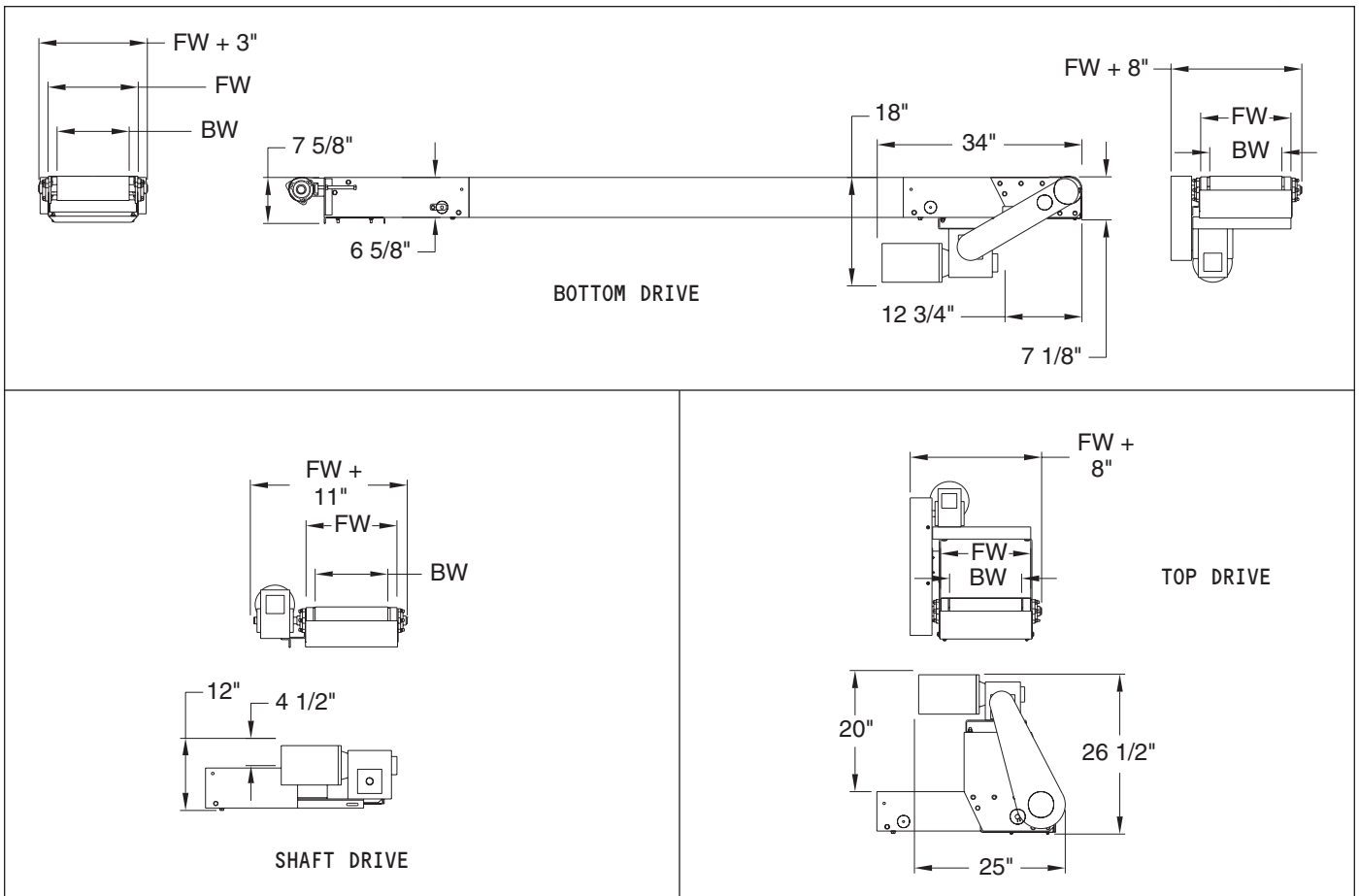
V-guided frame and the v-guided pulley



V-guided belt and the v-guided frame



Belt Width:	4"	6"	8"	10"	12"	14"	16"	18"	20"	24"	30"
Frame Width:	7"	11"	11"	15"	15"	21-1/2"	21-1/2"	21-1/2"	28"	28"	34"



MODEL 301 Standard Duty V-Guided Slider Bed

Standard Specifications

Widths: Up to 30" Wide

Lengths: 5' – 100' (6" Increments)
Standard Length is 5', Two Piece Bolt Together

Standard Speed: 60 FPM

Standard Motor: 1/2 HP 230/460/3/60 TEFC

Standard Drive: Bottom Mount, Right Side

Standard Belt: Black PVC 120 with "A" Section, "V-Guide"

Drive Pulley: 4" Dia Flat Face Rubber Lagged x 1-3/16" with "A" Section, "V-Guide"

Infeed Pulley: 4" Dia Flat Face Take Up x 1-3/16" with "A" Section, "V-Guide"

Frame: 6-5/8" Deep x 12 Gauge

Bearings: Grease Sealed

Supports: 30" Elevation Top of Belt

Horizontal Conveyor Comparison Chart

Horizontal Conveyors — These units are used to convey everything from boxes to small pallets.

MODEL	DESCRIPTION	FRAME GAUGE	FRAME DEPTH	DRIVE PULLEY SIZE	DRIVE PULLEY TYPE*	DRIVE PULLEY SHAFT DIA.	INFEED PULLEY SIZE	INFEED PULLEY TYPE*	INFEED PULLEY SHAFT DIA.	STANDARD BELT	STD. DRIVE	OTHER
200	Standard duty slider bed	12	2.75"	4.625"	CFRL pulley	1.1875"	4"	CF pulley	1.1875"	2 ply black PVC 120	Bottom	Base length = 5'
210	Medium duty slider bed	12	2.75"	8.625"	CFRL pulley	1.4375"	4"	CF pulley	1.1875"	2 ply black PVC 120	Bottom	Base length = 5'
220	Medium – heavy duty slider bed	12	5.5"	8.625"	CFRL pulley	1.4375"	4"	CF pulley	1.1875"	2 ply black PVC 120	Bottom	Base length = 5'
221	Heavy duty slider bed	12	5.5"	8.625"	CFRL pulley	1.6875"	4"	CF pulley	1.4375"	2 ply black PVC 120	Bottom	Heavy shaft M220
301	Standard duty V-guided slider bed	12	6.625"	4.625"	FFRL "A" section	1.1875"	4"	FF "A" section	1.1875"	2 ply black PVC 120 "A" section V-guided	Bottom	V-guided deep frame M200
311	Medium duty V-guided slider bed	12	6.625"	8.625"	FFRL "A" section	1.4375"	4"	FF "A" section	1.1875"	2 ply black PVC 120 "A" section V-guided	Bottom	V-guided deep frame M220
321	Heavy Duty V-guided slider bed	12	6.625"	8.625"	FFRL "A" section	1.6875"	4"	FF "A" section	1.4375"	2 ply black PVC 120 "A" section V-guided	Bottom	Heavy shaft M311
640	Heavy duty belt over roller bed	12	6.5"	8.625"	CFRL pulley	1.4375"	4"	CF pulley	1.1875"	2 ply black PVC 120	Bottom @ dis.	Rollers – 2" dia. x 16 ga. x .4375" hex on 6" centers

*BM = Bottom Mount; CF = Crown Faced; CDBM = Center Drive Bottom Mount; CH = Channel; FF = Flat Faced; RL = Rubber Lagged; RA = Right Angle; Std = Standard

Unit Weights (Shipping Weights – lbs.)

BELT WIDTHS	4"	6"	8"	10"	12"	14"	16"	18"	20"	24"	30"
LENGTHS											
5'	230	257	267	287	300	333	345	365	379	400	421
10'	280	317	327	357	370	419	431	451	482	503	539
15'	364	412	422	463	476	542	554	574	623	644	696
20'	414	472	482	533	546	628	640	660	726	747	814
25'	498	567	577	639	652	751	763	783	867	888	971
30'	548	627	637	709	722	837	849	869	970	991	1089
35'	632	722	732	815	828	960	972	992	1111	1132	1246
40'	682	782	792	885	898	1046	1058	1078	1214	1235	1364

Conveyor weights include standard drive and supports. Other options, crating etc. are not included.

Skid Dimensions

Model 301 — Note: these are general guidelines for freight rate estimates only. Final dimensions may vary.

BELT WIDTHS	4"	6"	8"	10"	12"	18"	20"	24"	30"
Bottom, Top & Center Mount Skid Width	25"	25"	25"	25"	25"	30"	30"	41"	41"
Shaft and Side Mount Skid Width	25"	25"	25"	30"	30"	41"	41"	41"	48"

Skid Length – Model M301's ship knocked down on 11' long skids. Use this length for frt. estimates. Up to 50' of conveyor can be stacked on one skid.