

MODEL 311 Medium Duty V-Guided Slider Bed



Photo of a V-Guided Belt and Frame

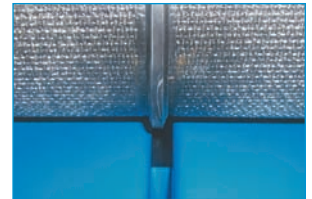


Photo showing both the V-guided frame and pulley

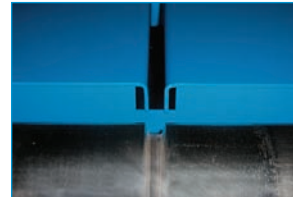
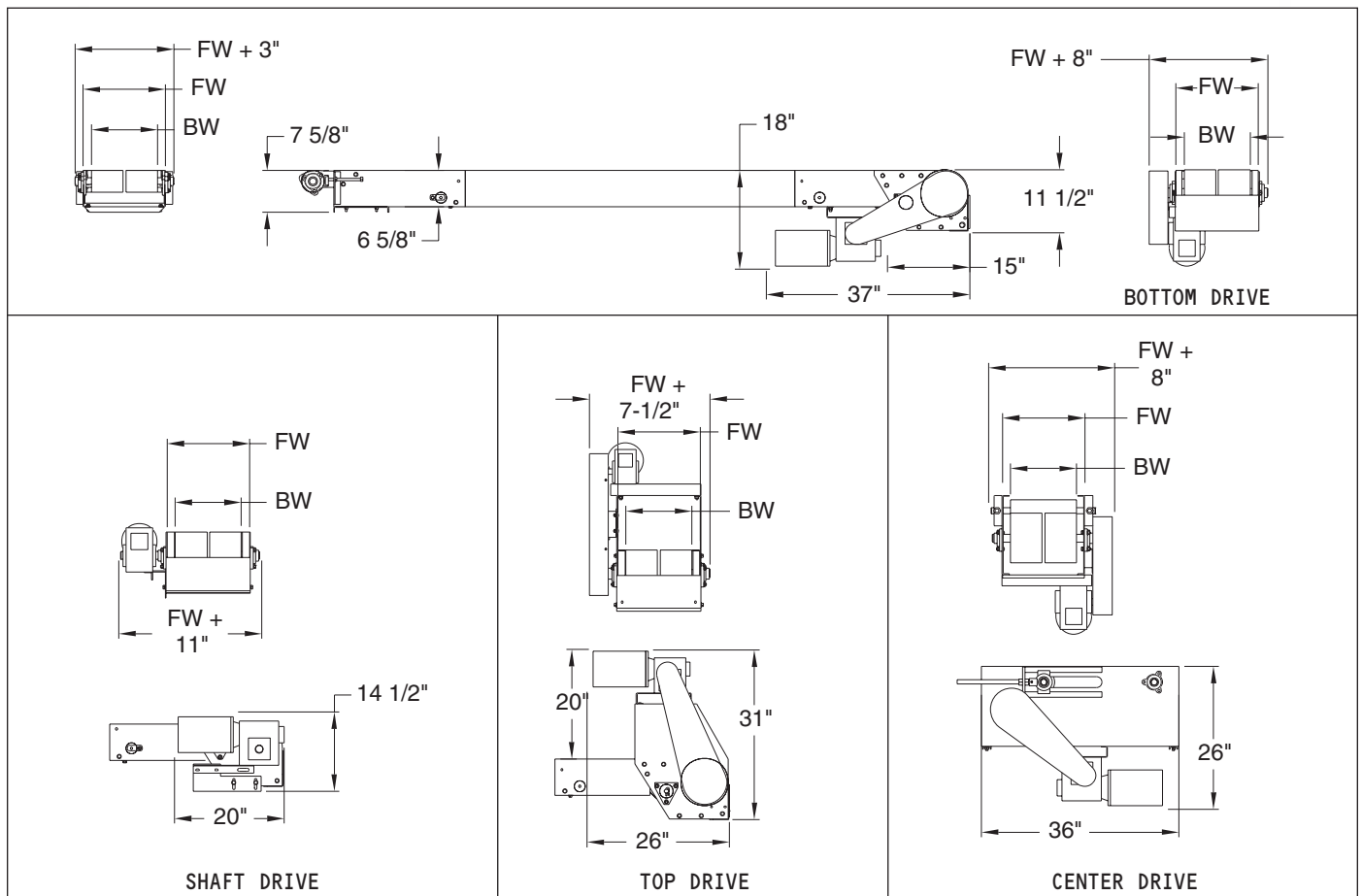


Photo of an "A" section V-Guided Belt



This V-guided conveyor has a rubber guide vulcanized to the underside of the belt. The frame and pulleys are then grooved/notched to provide a track for the rubber guided belt. This "guided" system keeps the belt centered for side loading, long run and short but wide applications.

Belt Width:	4"	6"	8"	10"	12"	14"	16"	18"	20"	24"	30"	36"	40"
Frame Width:	7"	11"	11"	15"	15"	21-1/2"	21-1/2"	21-1/2"	28"	28"	34"	40"	44"



MODEL 311 Medium Duty V-Guided Slider Bed

Standard Specifications

Widths: Up to 48"

Lengths: 5'– 100' (6" Increments)

Standard Length is 5', Two Piece Bolt Together

Standard Speed: 60 FPM

Standard Motor: 1/2 HP 230/460/3/60 TEFC

Standard Drive: Bottom Mount, Right Side

Standard Belt: Black PVC 120 with "A" section, "V-Guide"

Drive Pulley: 8" Dia Flat Face Rubber Lagged x 1-7/16" with "A" section, "V-Guide"

Infeed Pulley: 4" Dia Flat Face Take Up x 1-3/16" with "A" section, "V-Guide"

Frame: 6-5/8" Deep x 12 Gauge

Bearings: Grease Sealed

Standard Supports: 30" Elevation Top of Belt

Horizontal Conveyor Comparison Chart

Horizontal Conveyors — These units are used to convey everything from boxes to small pallets.

MODEL	DESCRIPTION	FRAME GAUGE	FRAME DEPTH	DRIVE PULLEY SIZE	DRIVE PULLEY TYPE*	DRIVE PULLEY SHAFT DIA.	INFEED PULLEY SIZE	INFEED PULLEY TYPE*	INFEED PULLEY SHAFT DIA.	STANDARD BELT	STD. DRIVE	OTHER
200	Standard duty slider bed	12	2.75"	4.625"	CFRL pulley	1.1875"	4"	CF pulley	1.1875"	2 ply black PVC 120	Bottom	Base length = 5'
210	Medium duty slider bed	12	2.75"	8.625"	CFRL pulley	1.4375"	4"	CF pulley	1.1875"	2 ply black PVC 120	Bottom	Base length = 5'
220	Medium – heavy duty slider bed	12	5.5"	8.625"	CFRL pulley	1.4375"	4"	CF pulley	1.1875"	2 ply black PVC 120	Bottom	Base length = 5'
221	Heavy duty slider bed	12	5.5"	8.625"	CFRL pulley	1.6875"	4"	CF pulley	1.4375"	2 ply black PVC 120	Bottom	Heavy shaft M220
301	Standard duty V-guided slider bed	12	6.625"	4.625"	FFRL "A" section	1.1875"	4"	FF "A" section	1.1875"	2 ply black PVC 120 "A" section V-guided	Bottom	V-guided deep frame M200
311	Medium duty V-guided slider bed	12	6.625"	8.625"	FFRL "A" section	1.4375"	4"	FF "A" section	1.1875"	2 ply black PVC 120 "A" section V-guided	Bottom	V-guided deep frame M220
321	Heavy Duty V-guided slider bed	12	6.625"	8.625"	FFRL "A" section	1.6875"	4"	FF "A" section	1.4375"	2 ply black PVC 120 "A" section V-guided	Bottom	Heavy shaft M311
640	Heavy duty belt over roller bed	12	6.5"	8.625"	CFRL pulley	1.4375"	4"	CF pulley	1.1875"	2 ply black PVC 120	Bottom @ dis.	Rollers – 2" dia. x 16 ga. x .4375" hex on 6" centers

*BM = Bottom Mount; CF = Crown Faced; CDBM = Center Drive Bottom Mount; CH = Channel; FF = Flat Faced; RL = Rubber Lagged; RA = Right Angle; Std = Standard

Unit Weights (Shipping Weights – lbs.)

BELT WIDTHS	6"	8"	10"	12"	14"	16"	18"	20"	24"	30"	36"	42"	48"
LENGTHS													
5'	234	263	295	320	343	357	370	391	412	435	500	549	598
10'	284	323	365	390	429	443	456	494	515	553	665	733	801
15'	368	418	471	496	552	566	579	635	656	710	870	958	1046
20'	418	478	541	566	638	652	665	738	759	828	1035	1142	1249
25'	502	573	647	672	761	775	788	879	900	985	1240	1367	1494
30'	552	633	717	742	847	861	874	982	1003	1103	1405	1551	1697
35'	636	728	823	848	970	984	997	1123	1144	1260	1610	1776	1942
40'	686	788	893	918	1056	1070	1083	1226	1247	1378	1775	1960	2145
45'	770	883	999	1024	1179	1193	1206	1367	1388	1535	1980	2185	2390
50'	820	943	1069	1094	1265	1279	1292	1470	1491	1653	2145	2369	2593
55'	904	1038	1175	1200	1388	1402	1415	1611	1632	1810	2350	2594	2838
60'	954	1098	1245	1270	1474	1488	1501	1714	1735	1928	2515	2778	3041

Conveyor weights include standard drive and supports. Other options, crating etc. are not included.

Skid Dimensions

Model 311 — Note: these are general guidelines for freight rate estimates only. Final dimensions may vary.

BELT WIDTHS	8"	10"	12"	14"	16"	18"	20"	24"	30"	36"	42"	48"
Bottom, Top & Center Mount Skid Width	25"	25"	25"	25"	30"	30"	41"	41"	41"	47"	53"	59"
Shaft and Side Mount Skid Width	25"	25"	30"	30"	41"	41"	41"	41"	46"	52"	58"	64"

Skid Length – Model M311's ship knocked down on 11' long skids. Use this length for frt. estimates. Up to 50' of conveyor can be stacked on one skid.