

## 313-A Tipper

# Tipper™ Fork Truck Service Lift

## Fast, Safe and Easy Fork Lift Maintenance

Tilt-or-Lift, Inc., the leading designer of specialty lifts for over 20 years, offers a hot tip on improving fork lift maintenance...the new *Tipper*™ fork lift service lift.

This revolutionary machine tilts lift trucks a full 90 degrees, thereby, offering unobstructed access to the entire vehicle underbody. Just drive the vehicle onto the *Tipper* service lift, and let the *Tipper* service lift do the rest. Nothing could be simpler...or more cost-effective.

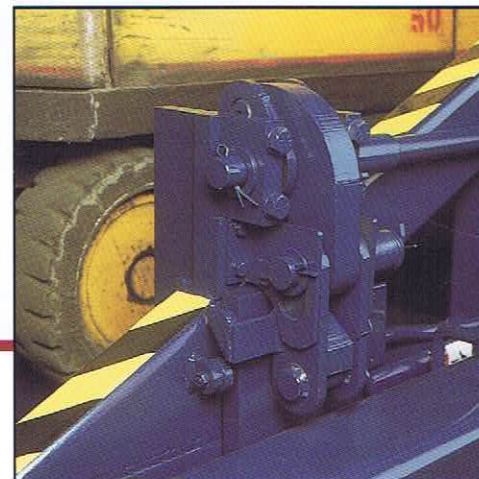
## The "Nth" Degree of Safety and Versatility

The *Tipper* service lift complies with applicable ANSI and OSHA requirements. Automatic safety pawls are incorporated in the design to prevent accidents in the event of hydraulic failure. It requires very little floor space and is portable.

Each American-made unit is factory tested and assembled and comes with a full one-year warranty. The unit accommodates most standard-size fork lifts and has proven to save hundreds of maintenance hours per year.

The *Tipper* service lift; one of the fine family of fork lift service lifts available from Tilt-or-Lift, Inc., the lift specialists. There are no finer lifts available – anywhere.

**"We stand under our products."**



**Manufacturers of  
Fork Lift Maintenance Lifts**

# Tipper™ Fork Truck Service Lift

## Specifications

### Model 313A

- Capacity: 13,000 lbs. G.V.W. at 54 O.A. tread width
- Length Clear: 85 1/2"
- Length O.A.: 178"
- Width Clear: 65 1/2"
- Width O.A.: 89 1/2" closed working
- Max. tilt angle: 90 degrees
- Power: 230/460/3/60
- Shipping Weight: 6,500 lbs.
- Height O.A.: 103" (tipped); 61-1/2" (not tipped)

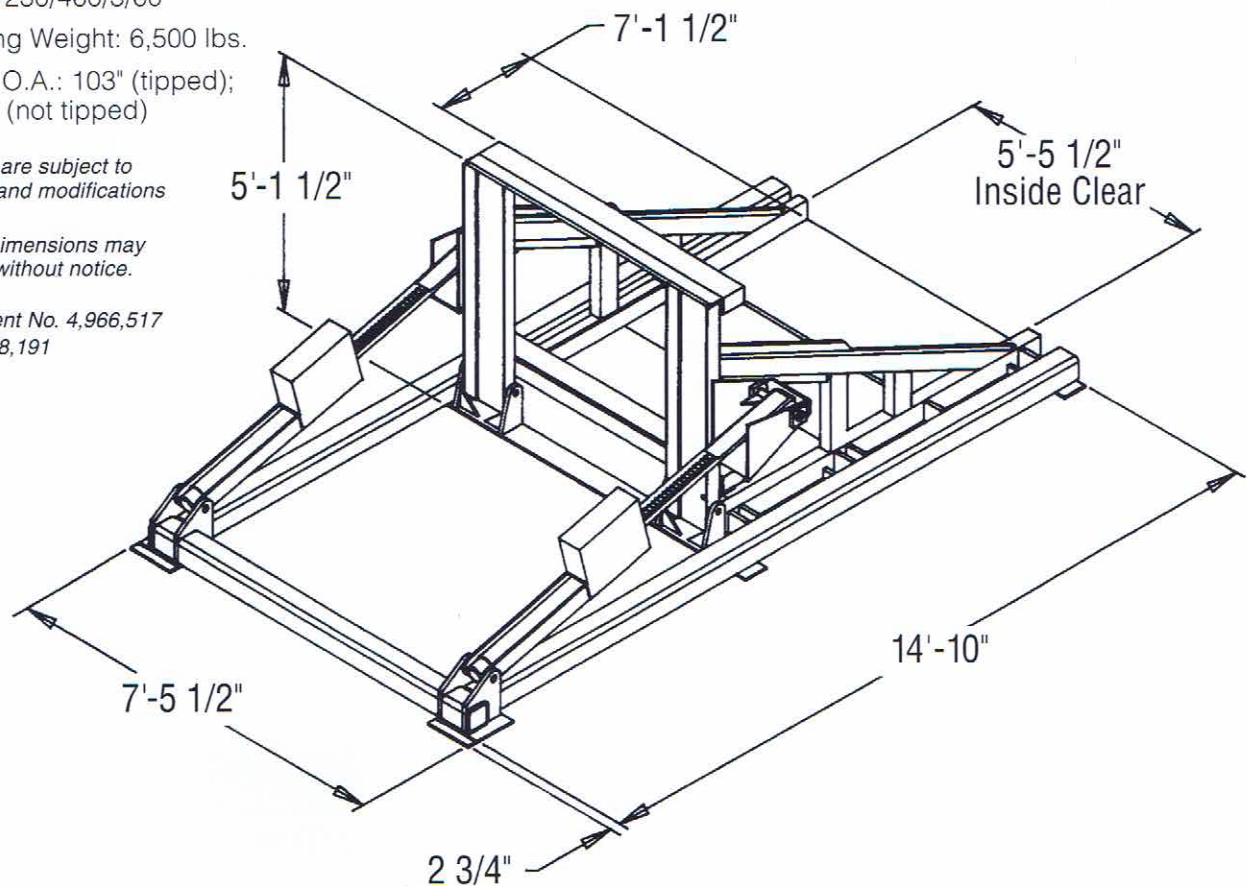
*All units are subject to change and modifications*

**Note:** *Dimensions may change without notice.*

U.S. Patent No. 4,966,517 and 5,478,191

## Standard Features

- Automatic hydraulic safety locks
- Electrical safety interlock system
- Lockable control panel
- Safety release handle
- Shipped assembled and factory tested



**Manufacturers of  
Fork Lift Maintenance Lifts**