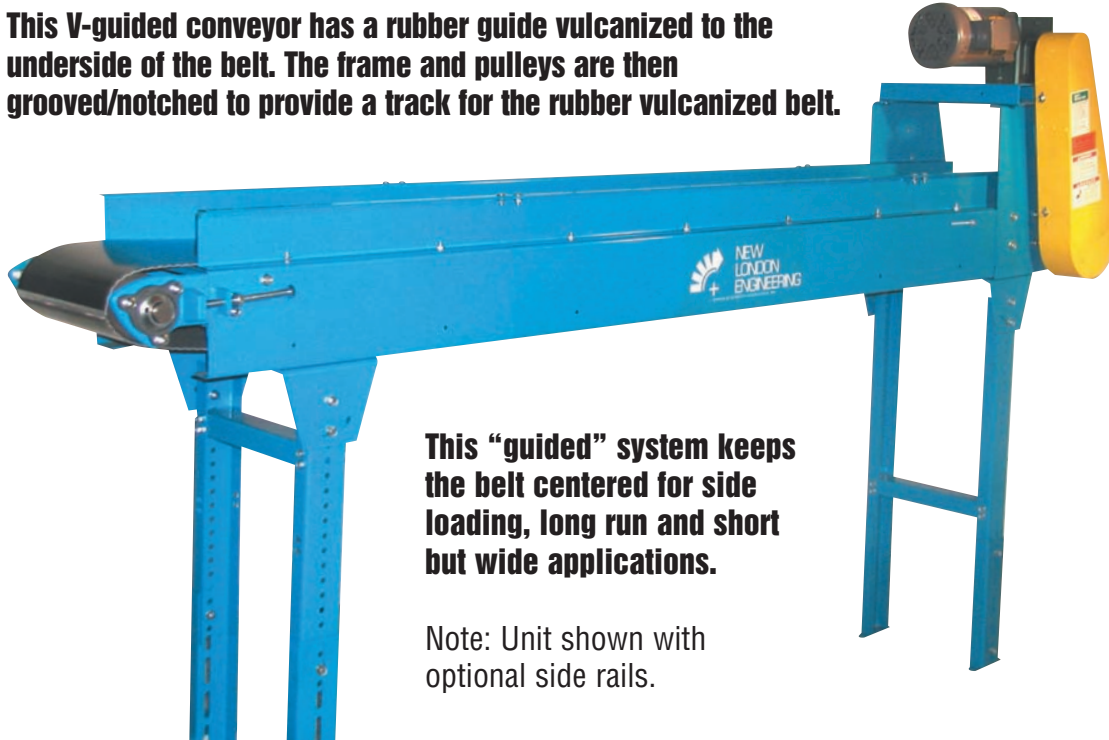


MODEL 321 Heavy Duty V-Guided Slider Bed



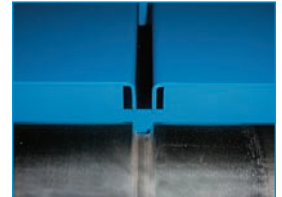
This V-guided conveyor has a rubber guide vulcanized to the underside of the belt. The frame and pulleys are then grooved/notched to provide a track for the rubber vulcanized belt.



This "guided" system keeps the belt centered for side loading, long run and short but wide applications.

Note: Unit shown with optional side rails.

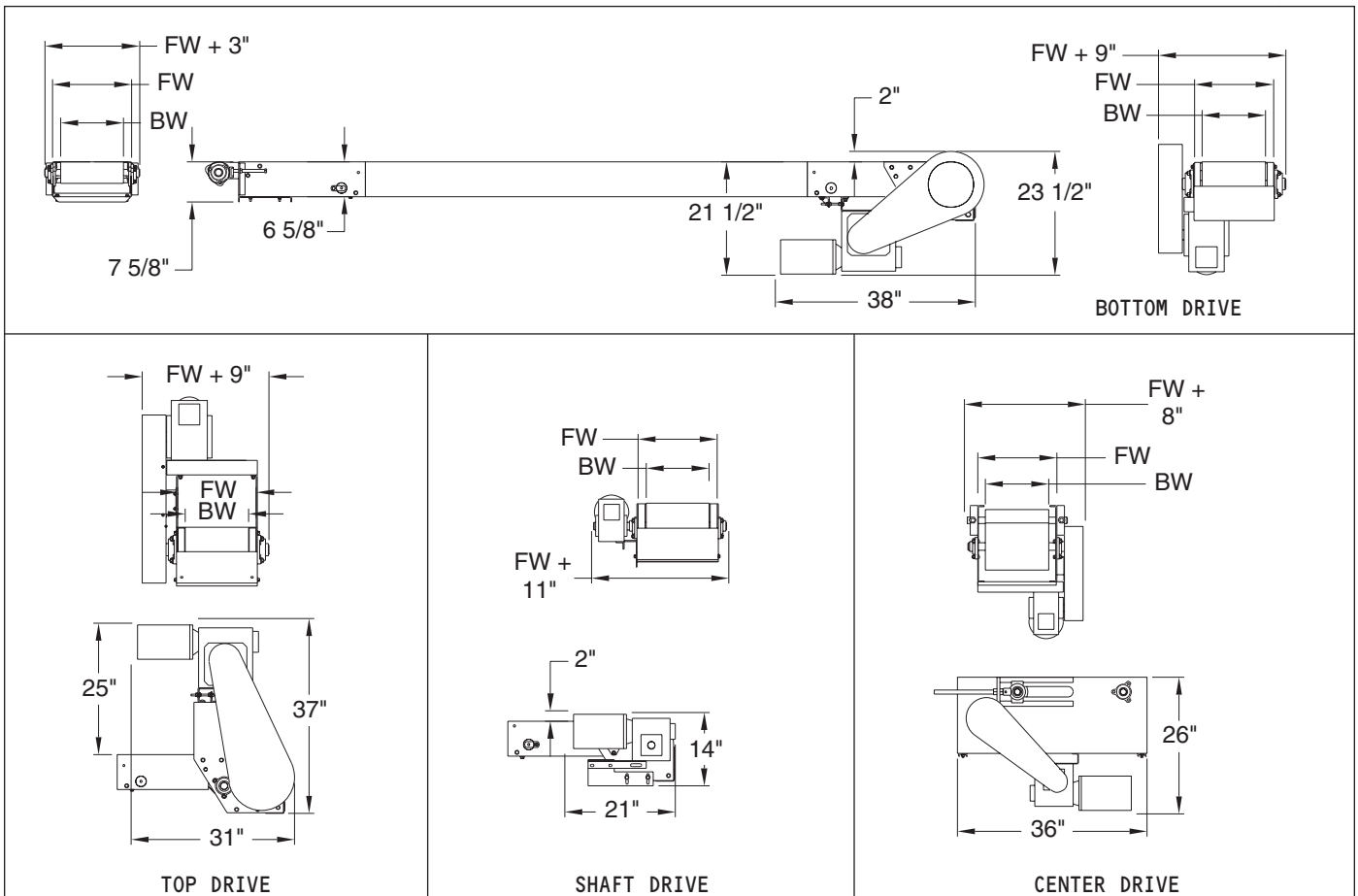
V-guided frame and the v-guided pulley



V-guided belt and the v-guided frame



Belt Width:	4"	6"	8"	10"	12"	14"	16"	18"	20"	24"	30"	36"	40"	54"	60"
Frame Width:	7"	11"	11"	15"	15"	21-1/2"	21-1/2"	21-1/2"	28"	28"	34"	40"	44"	58"	64"



MODEL 321 Heavy Duty V-Guided Slider Bed

Standard Specifications

Widths: Up to 68" Wide

Lengths: 5'– 100' (6" Increments)
Standard Length is 5', Two Piece Bolt Together

Standard Speed: 60 FPM

Standard Motor: 1/2 HP 230/460/3/60 TEFC

Standard Drive: Bottom Mount, Right Side

Standard Belt: Black PVC 120 with "A" section, "V-Guide"

Drive Pulley: 8" Dia Flat Face Rubber Lagged x 1-11/16" with "A" section, "V-Guide"

Infeed Pulley: 4" Dia Flat Face Take Up x 1-7/16" with "A" section, "V-Guide"

Frame: 6-5/8" Deep x 12 Gauge

Bearings: Grease Sealed

Standard Supports: 30" Elevation Top of Belt

Horizontal Conveyor Comparison Chart

Horizontal Conveyors — These units are used to convey everything from boxes to small pallets.

MODEL	DESCRIPTION	FRAME GAUGE	FRAME DEPTH	DRIVE PULLEY SIZE	DRIVE PULLEY TYPE*	DRIVE PULLEY SHAFT DIA.	INFEED PULLEY SIZE	INFEED PULLEY TYPE*	INFEED PULLEY SHAFT DIA.	STANDARD BELT	STD. DRIVE	OTHER
200	Standard duty slider bed	12	2.75"	4.625"	CFRL pulley	1.1875"	4"	CF pulley	1.1875"	2 ply black PVC 120	Bottom	Base length = 5'
210	Medium duty slider bed	12	2.75"	8.625"	CFRL pulley	1.4375"	4"	CF pulley	1.1875"	2 ply black PVC 120	Bottom	Base length = 5'
220	Medium – heavy duty slider bed	12	5.5"	8.625"	CFRL pulley	1.4375"	4"	CF pulley	1.1875"	2 ply black PVC 120	Bottom	Base length = 5'
221	Heavy duty slider bed	12	5.5"	8.625"	CFRL pulley	1.6875"	4"	CF pulley	1.4375"	2 ply black PVC 120	Bottom	Heavy shaft M220
301	Standard duty V-guided slider bed	12	6.625"	4.625"	FFRL "A" section	1.1875"	4"	FF "A" section	1.1875"	2 ply black PVC 120 "A" section V-guided	Bottom	V-guided deep frame M200
311	Medium duty V-guided slider bed	12	6.625"	8.625"	FFRL "A" section	1.4375"	4"	FF "A" section	1.1875"	2 ply black PVC 120 "A" section V-guided	Bottom	V-guided deep frame M220
321	Heavy Duty V-guided slider bed	12	6.625"	8.625"	FFRL "A" section	1.6875"	4"	FF "A" section	1.4375"	2 ply black PVC 120 "A" section V-guided	Bottom	Heavy shaft M311
640	Heavy duty belt over roller bed	12	6.5"	8.625"	CFRL pulley	1.4375"	4"	CF pulley	1.1875"	2 ply black PVC 120	Bottom @ dis.	Rollers – 2" dia. x 16 ga. x .4375" hex on 6" centers

*BM = Bottom Mount; CF = Crown Faced; CDBM = Center Drive Bottom Mount; CH = Channel; FF = Flat Faced; RL = Rubber Lagged; RA = Right Angle; Std = Standard

Unit Weights (Shipping Weights – lbs.)

BELT WIDTHS	6"	8"	10"	12"	14"	16"	18"	20"	24"	30"	36"	42"	48"
LENGTHS													
5'	243	274	308	308	308	358	358	408	408	454	521	572	623
10'	293	334	378	378	378	444	444	511	511	572	686	756	826
15'	377	429	484	484	484	567	567	652	652	729	891	981	1071
20'	427	489	554	554	554	653	653	755	755	847	1056	1165	1274
25'	511	584	660	660	660	776	776	896	896	1004	1261	1390	1519
30'	561	644	730	730	730	862	862	999	999	1122	1426	1574	1722
35'	645	739	836	836	836	985	985	1140	1140	1279	1631	1799	1967
40'	695	799	906	906	906	1071	1071	1243	1243	1397	1796	1983	2170
45'	779	894	1012	1012	1012	1194	1194	1384	1384	1554	2001	2208	2415
50'	829	954	1082	1082	1082	1280	1280	1487	1487	1672	2166	2392	2618
55'	913	1049	1188	1188	1188	1403	1403	1628	1628	1829	2371	2617	2863
60'	963	1109	1258	1258	1258	1489	1489	1731	1731	1947	2536	2801	3066

Conveyor weights include standard drive and supports. Other options, crating etc. are not included.

Skid Dimensions

Model 321 — Note: these are general guidelines for freight rate estimates only. Final dimensions may vary.

BELT WIDTHS	8"	10"	12"	14"	16"	18"	20"	24"	30"	36"	42"	48"
Bottom, Top & Center Mount Skid Width	25"	25"	25"	25"	30"	30"	41"	41"	41"	47"	53"	59"
Shaft and Side Mount Skid Width	25"	25"	30"	30"	41"	41"	41"	41"	46"	52"	58"	64"

Skid Length – Model M321's ship knocked down on 11' long skids. Use this length for frt. estimates. Up to 50' of conveyor can be stacked on one skid.