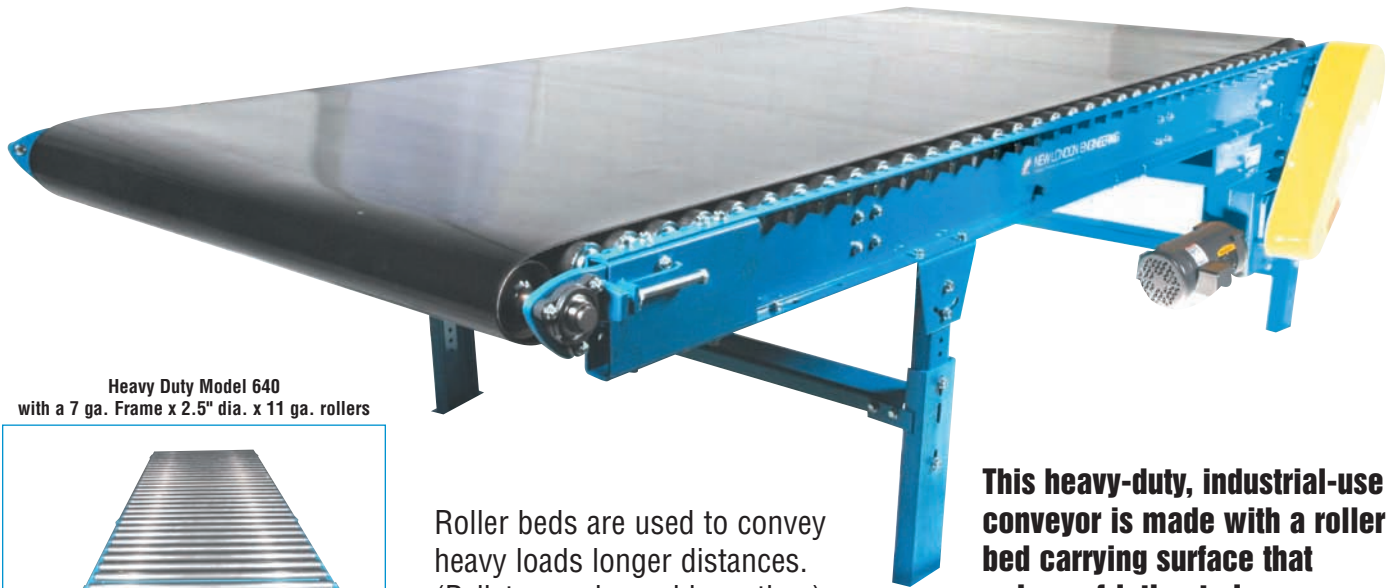


MODEL 640 Heavy Duty Belt Over Roller Bed



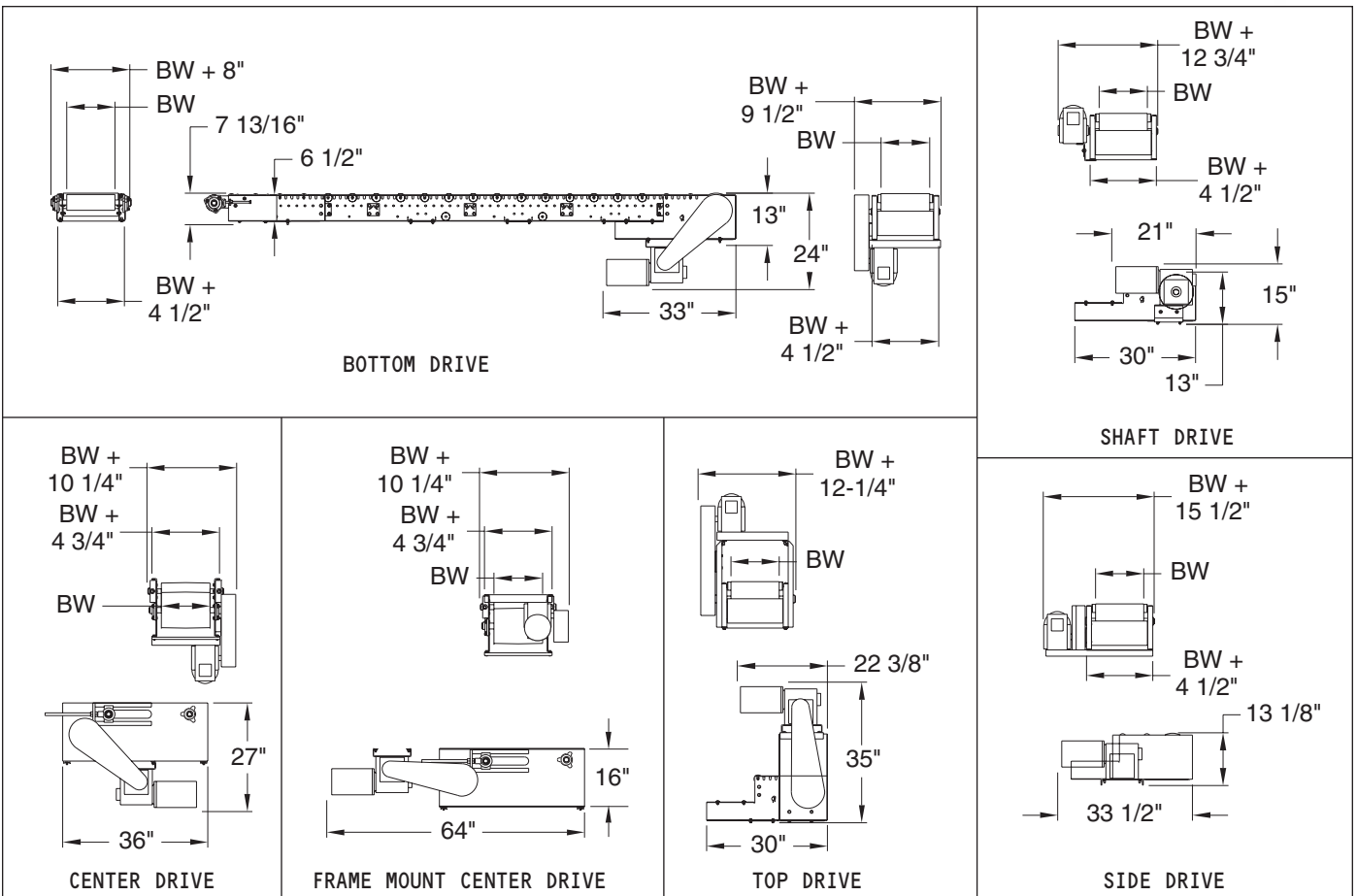
Heavy Duty Model 640
with a 7 ga. Frame x 2.5" dia. x 11 ga. rollers



Roller beds are used to convey heavy loads longer distances. (Pallets, wash machines, tires) Consider using a roller bed when your live load per foot exceeds 50#.

This heavy-duty, industrial-use conveyor is made with a roller bed carrying surface that reduces friction to increase load-moving capacity with lower power requirements.

Belt Width:	8"	12"	18"	24"	30"	36"
Frame Width:	10"	14"	20"	26"	32"	36"



MODEL 640 Heavy Duty Belt Over Roller Bed

Standard Specifications

Widths: Up to 36"

Lengths: 5'– 100' (6" Increments)

Standard Speed: 60 FPM

Standard Motor: 1/2 HP 230/460/3/60 TEFC

Standard Drive: Bottom Mount, Right Side

Standard Belt: Black PVC 120, Clipper Lacing

Drive Pulley: 8" Dia Crown Face Rubber Lagged x 1-7/16"

Infeed Pulley: 4" Dia Crown Face Take Up x 1-3/16"

Frame: 6-1/2" x 1-1/4" Deep x 12 Gauge

Bearings: Grease Sealed

Standard Rollers: 2" Diameter x 16 Ga with 716" Hex Shaft on 6" Centers

Standard Supports: 30" Top of Roller

Horizontal Conveyor Comparison Chart

Horizontal Conveyors — These units are used to convey everything from boxes to small pallets.

MODEL	DESCRIPTION	FRAME GAUGE	FRAME DEPTH	DRIVE PULLEY SIZE	DRIVE PULLEY TYPE*	DRIVE PULLEY SHAFT DIA.	INFEED PULLEY SIZE	INFEED PULLEY TYPE*	INFEED PULLEY SHAFT DIA.	STANDARD BELT	STD. DRIVE	OTHER
200	Standard duty slider bed	12	2.75"	4.625"	CFRL pulley	1.1875"	4"	CF pulley	1.1875"	2 ply black PVC 120	Bottom	Base length = 5'
210	Medium duty slider bed	12	2.75"	8.625"	CFRL pulley	1.4375"	4"	CF pulley	1.1875"	2 ply black PVC 120	Bottom	Base length = 5'
220	Medium – heavy duty slider bed	12	5.5"	8.625"	CFRL pulley	1.4375"	4"	CF pulley	1.1875"	2 ply black PVC 120	Bottom	Base length = 5'
221	Heavy duty slider bed	12	5.5"	8.625"	CFRL pulley	1.6875"	4"	CF pulley	1.4375"	2 ply black PVC 120	Bottom	Heavy shaft M220
301	Standard duty V-guided slider bed	12	6.625"	4.625"	FFRL "A" section	1.1875"	4"	FF "A" section	1.1875"	2 ply black PVC 120 "A" section V-guided	Bottom	V-guided deep frame M200
311	Medium duty V-guided slider bed	12	6.625"	8.625"	FFRL "A" section	1.4375"	4"	FF "A" section	1.1875"	2 ply black PVC 120 "A" section V-guided	Bottom	V-guided deep frame M220
321	Heavy Duty V-guided slider bed	12	6.625"	8.625"	FFRL "A" section	1.6875"	4"	FF "A" section	1.4375"	2 ply black PVC 120 "A" section V-guided	Bottom	Heavy shaft M311
640	Heavy duty belt over roller bed	12	6.5"	8.625"	CFRL pulley	1.4375"	4"	CF pulley	1.1875"	2 ply black PVC 120	Bottom @ dis.	Rollers – 2" dia. x 16 ga. x .4375" hex on 6" centers

*BM = Bottom Mount; CF = Crown Faced; CDBM = Center Drive Bottom Mount; CH = Channel; FF = Flat Faced; RL = Rubber Lagged; RA = Right Angle; Std = Standard

Unit Weights (Shipping Weights – lbs.)

BELT WIDTHS	8"	12"	18"	24"	30"	36"
LENGTHS						
5'	310	337	378	419	460	501
10'	379	422	486	550	615	679
15'	484	544	632	720	810	898
20'	553	629	740	851	965	1076
25'	658	751	886	1021	1160	1295
30'	727	836	994	1152	1315	1473
35'	832	958	1140	1322	1510	1692
40'	901	1043	1248	1453	1665	1870

Skid Dimensions

Model 640 — Note: these are general guidelines for freight rate estimates only. Final dimensions may vary.

BELT WIDTHS	8"	12"	18"	24"	30"	36"
Bottom, Top & Center Mount Skid Width	20"	24"	30"	36"	42"	48"
Shaft and Side Mount Skid Width	32"	36"	42"	48"	54"	60"

Skid Length – These units are typically shipped assembled. The skid length is the overall length + 5". Maximum skid length is 27'.



1700 Division Street • New London, WI 54961
800-437-1994 • 920-982-4030 • fax: 920-982-6800 • www.nleco.com