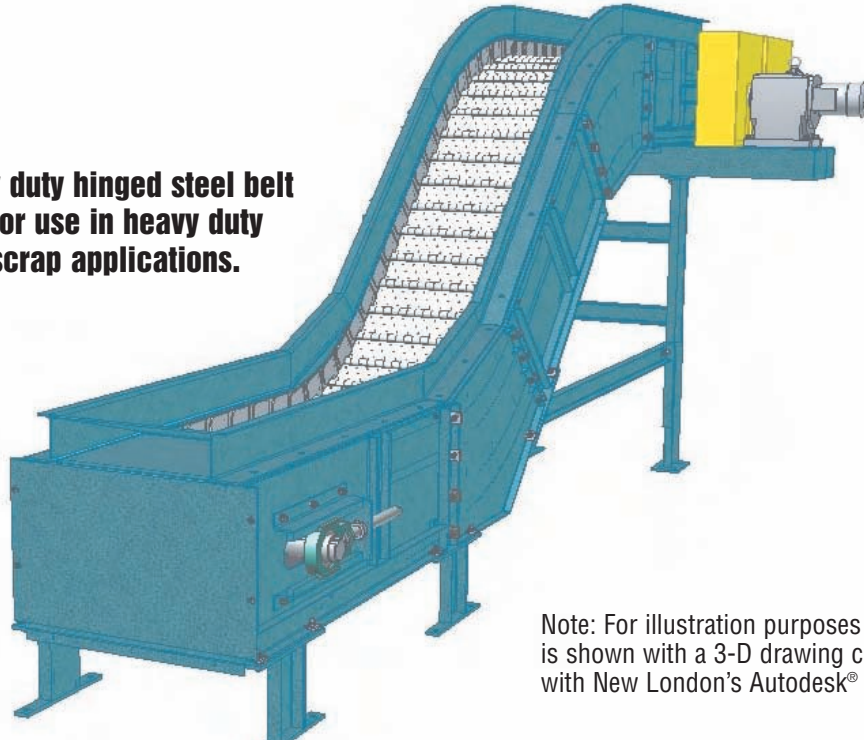


# MODEL 760 6" Pitch Hinged Steel Belt

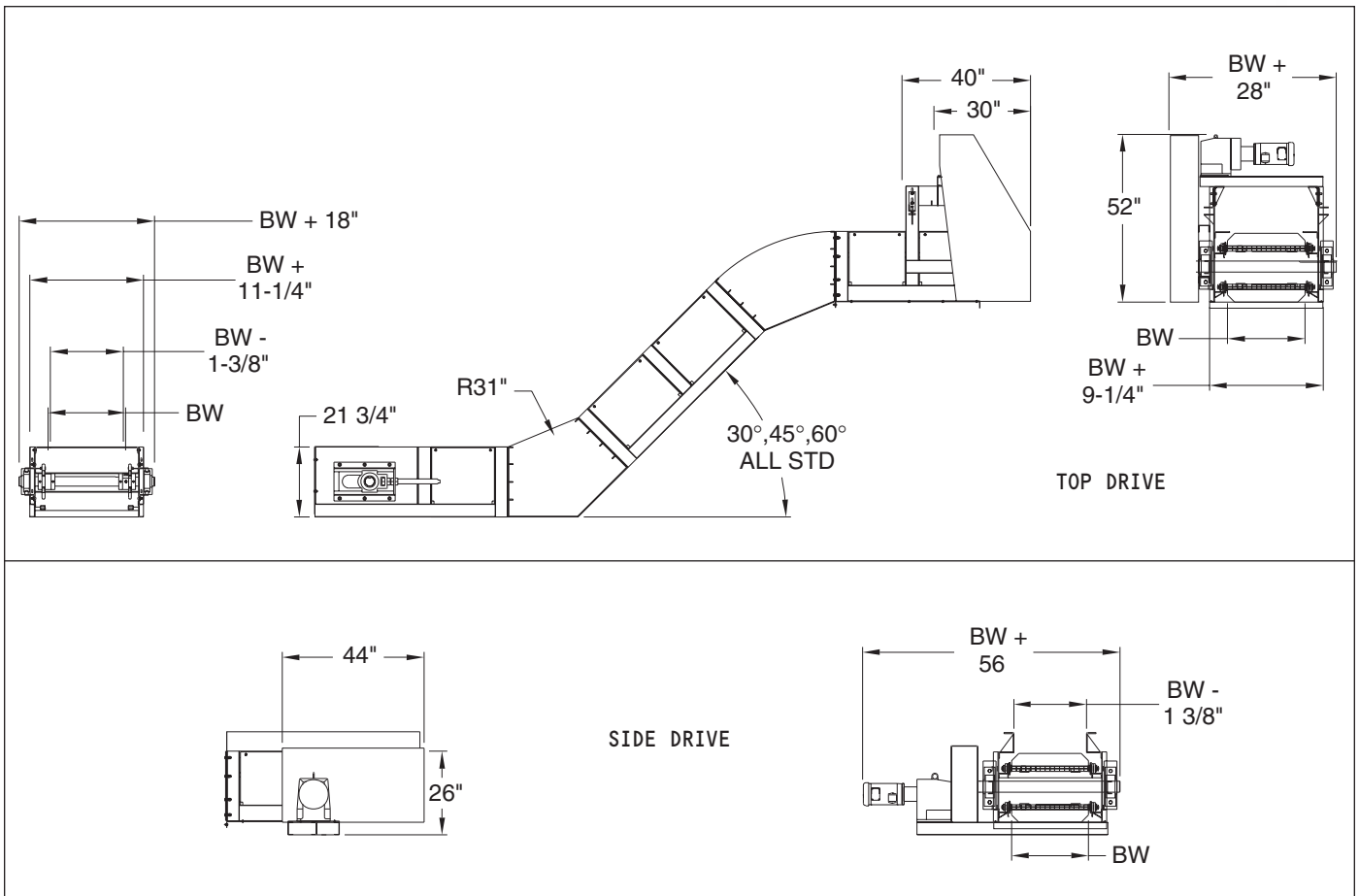


**A very rugged, heavy duty hinged steel belt conveyor. Designed for use in heavy duty industrial steel and scrap applications.**



Note: For illustration purposes this unit is shown with a 3-D drawing created with New London's Autodesk® software.

<b>Belt Width:</b>	12"	18"	24"	30"	36"	48"	60"	72"
<b>Frame Width:</b>	23-1/4"	29-1/4"	35-1/4"	41-1/4"	47-1/4"	59-1/4"	71-1/4"	83-1/4"



# MODEL 760 6" Pitch Hinged Steel Belt



## Standard Specifications

**Widths:** 12" – 72" (Custom Widths Available)  
**Lengths:** Depends on Application (Min. of 8');  
**Standard Infeed:** 60" (Min. of 36")  
**Standard Discharge:** 60"  
**Standard Speed:** 30 FPM  
**Standard Motor:** 3 HP 230/460/3/60 TEFC  
**Standard Drive:** Top Mount, Right Side  
**Frame:** Structural "C" Channel 3" x 4.1# x 21-3/4" Deep;  
 (7 Gauge is also Available)  
**Frame Depth:** 21-3/4"  
**Frame Width:** Belt Width + 11-1/4"  
**Bearings:** Grease Sealed

**Sprockets:** 6 Tooth x 12" Pitch Diameter  
**Belt:** 6" Pitch Hinged Steel Belt with 4" High Cleats on 48" Centers, 7 Gauge x 4" High Side Wings, 3" Diameter x 1.5" Flanged Rollers, Outside Sidebars  
**Supports:** Structural "C" Channel; 6" x 8.2#  
**Others:** Access Panels, Take up at Infeed, 7 Gauge Siderails

## Hinged Steel Belt Comparison Chart

Hinged Steel Belt Conveyors – Heavy Duty Scrap Hinged Steel Belts — Hinged Steel Belts are designed to carry hot & oily metal parts or scrap.

MODEL	DESCRIPTION	FRAME GAUGE	FRAME DEPTH	DRIVER SIZE	DRIVER TYPE	DRIVE SHAFT. DIA.	IDLER SIZE	IDLER TYPE	IDLER SHAFT DIA.	STANDARD CARRIER	STD. DRIVE	OTHER
751 750	4" pitch HSB Hvy drive shaft M751	10 10	15.25" 15.25"	6 tooth 6 tooth	8" pd 8" pd	1.9375" 2.9375"	6 tooth 6 tooth	8" pd 8" pd	1.6875" 1.9375"	7ga aprons, 2-3/8" cleats on 24" centers	Top	M750 Takeup at Infeed M751 Takeup at Drive
760	6" pitch hinged steel belt	Channel	23.25"	6 tooth	12" pd	3.4375"	6 tooth	12" pd	2.9375"	1/4" aprons, 4" cleats on 48" centers	Top	Heavy duty hinged steel belt applications

## Unit Weights (Shipping Weights – lbs.)

CONTACT NLE FOR CONVEYOR WEIGHTS

## Skid Dimensions

CONTACT NLE FOR SKID DIMENSIONS



1700 Division Street • New London, WI 54961  
 800-437-1994 • 920-982-4030 • fax: 920-982-6800 • www.nleco.com