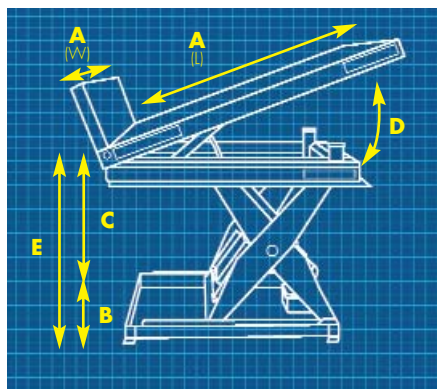
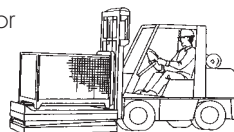


STATIONARY TILTERS

E-Z REACH LIFT AND TILT – HYDRAULIC OR PNEUMATIC ACTUATION



To precisely position containers with independent control of lift and tilt, E-Z Reach Lift and Tilt is ideal. With its exclusive Universal Tilter Base (UTB) it compensates for the shifting center of gravity as the load is tilted. The open frame top allows the tilting hydraulics to retract within the frame resulting in a lower profile when in the full down position. The UTB also combines a shorter but wider stance for improved stability in a minimum footprint.



Hydraulic

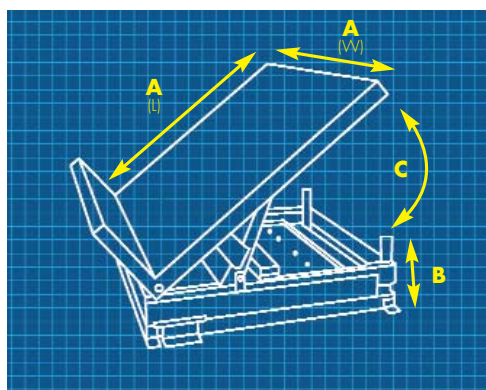
MODEL NO.	CAPACITY	A STANDARD PLATFORM W x L	A MAX PLATFORM W x L	B LOWERED HEIGHT	C TRAVEL VERTICAL	D TRAVEL ANGULAR	E RAISED HEIGHT	POWER REQUIRED	APPROX SHIPPING WEIGHT
UTB1	1000	42" x 42"	66" x 72"	11"	28"	30° or 45°	39"	115/1/60	1100 lbs.
UTB2	2000	42" x 42"	66" x 72"	11"	28"	30° or 45°	39"	115/1/60	1150 lbs.
UTB4	4000	42" x 42"	66" x 54"	11"	28"	30° or 45°	39"	115/1/60	1200 lbs.

Pneumatic

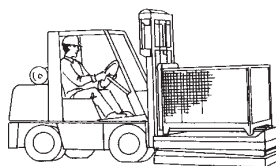
LTA2-24	2000 lbs.	30" x 48"	48" x 72"	14½"	24"	30° or 40°	38½"	80psi/80cfm*	900 lbs.
LTA4-24	4000 lbs.	44" x 48"	66" x 56"	14½"	24"	30° or 40°	38½"	80psi/80cfm*	1000 lbs.

*Free Air

FIXED HEIGHT TILTER – HYDRAULIC OR PNEUMATIC ACTUATION



For applications utilizing small or shallow containers that do not require vertical repositioning, the Fixed Height Tilter is the ideal choice. Available in 2000 lbs. and 4000 lbs. They can be mounted on the floor or a fixed height table top.



Hydraulic

MODEL NO.	CAPACITY	A STANDARD PLATFORM W x L	A MAX PLATFORM W x L	B LOWERED HEIGHT	C TRAVEL ANGULAR	POWER REQUIRED	APPROX SHIPPING WEIGHT
T2-45	2000 lbs.	24" x 36"	48" x 48"	7½"	30° or 45°	115/1/60	600 lbs.
T4-45	4000 lbs.	24" x 36"	48" x 48"	7½"	30° or 45°	115/1/60	650 lbs.

Pneumatic

TA2-40	2000 lbs.	26" x 48"	48" x 72"	9"	30° or 40°	80psi/80cfm*	650 lbs.
TA4-40	4000 lbs.	42" x 48"	66" x 56"	9"	30° or 40°	80psi/80cfm*	750 lbs.

*Free Air