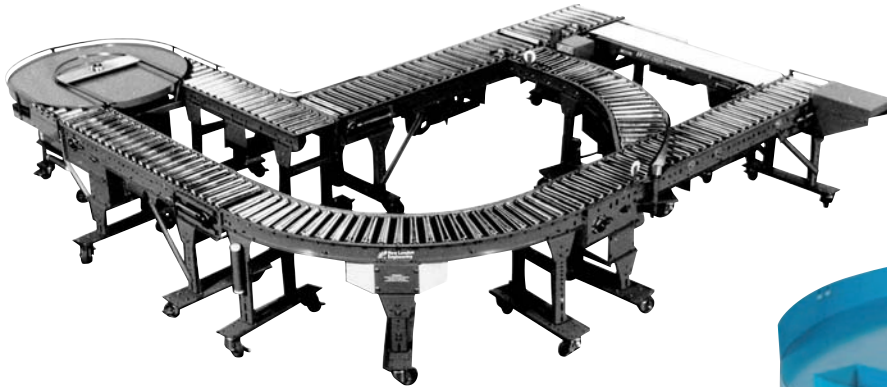


MODEL 180 & 181 Turntable Conveyors

MODEL 181 Accumulation & Sorting Turntable

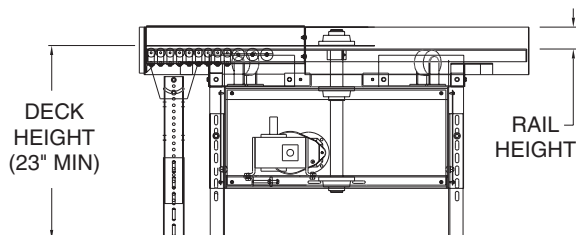
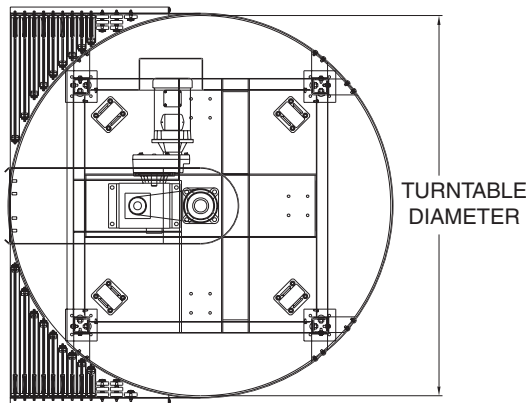
This unit is used in applications to accumulate or sort products to orientate them allowing the operator to perform a variety of tasks. The deck can be made of carbon or stainless steel.



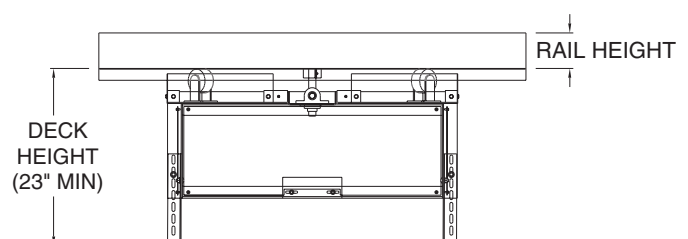
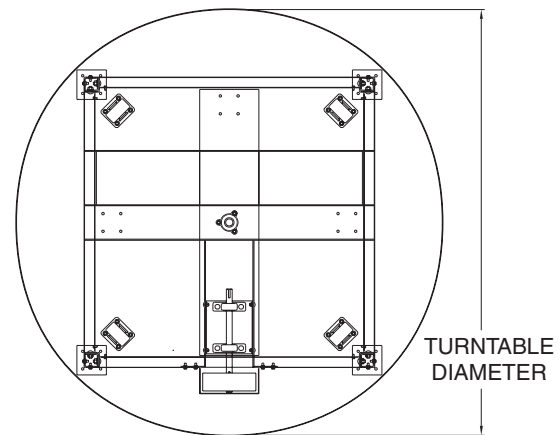
MODEL 180 Directional Change Turntable
Typically used in sorting applications and systems with a 180 degree turn. These units can turn products 180 degrees in spaces traditional units can't.



MODEL 180



MODEL 181



MODEL 180 & 181 Turntable Conveyors



Model 180 Standard Specifications

Standard Table Diameters: 3' to 8'
Standard Speed: 2.5 Revolutions per Minute
Standard Motor: 1/2 Hp 230/460/3/60 TEFC
Standard Drive: Bottom Mounted Under Table:
 Chain Driven Direct Drive
Standard Siderails: 3-1/2" Vertical Stationary
Bearings: Grease Sealed
Standard Supports: 30" Elevation Top of Belt
Standard Frame: 12 Gauge Carbon Steel with a 2" Edge
Carrier Platform: 1/4" Steel Plate Rotates on Heavy Duty Casters
Infeed: Gravity Roller or Skate Wheel Approaches

Model 181 Standard Specifications

Standard Table Diameters: 3' to 8'
Standard Speed: 1-3 Revolutions per Minute
Standard Motor: 1/4 HP 90V DC Motor and DC Controller
Standard Drive: Bottom Mount
Standard Siderails: 6" High Rotating
Bearings: Grease Sealed
Standard Supports: 30" Elevation Top of Belt

Turntable Conveyor Comparison Chart

Turntable Conveyors

MODEL	DESCRIPTION	FRAME GAUGE	FRAME DEPTH	STANDARD REVOLUTIONS / APPLICATION	RAILS	STANDARD DRIVE	OTHER
180	Directional change turn table	12	2"	2.5 revolutions per minute – Typically used in sorting applications and systems with a 180 degree turn. These units will fit in tight spaces traditional radius curve units	3-1/2" stationary rails	Bottom	Turntables are available in standard 3' – 8' table diameters
181	Accumulation turn table	12	2"	1-3 revolutions per minute – This unit is designed for use in accumulation and sorting applications	6" rotating rails	Bottom	

Unit Weights (Shipping Weights – lbs.)

DIAMETER	MODEL 181	MODEL 180
3'	274	305
4'	376	455
5'	517	620
6'	654	785

Conveyor weights include standard drive and supports.
 Model 181 also includes 6" high rotating rails
 Model 180 also includes 3.5" high fixed rails



1700 Division Street • New London, WI 54961
 800-437-1994 • 920-982-4030 • fax: 920-982-6800 • www.nleco.com