

MODEL 591 Heavy Duty Parts or Bulk Material Conveyor

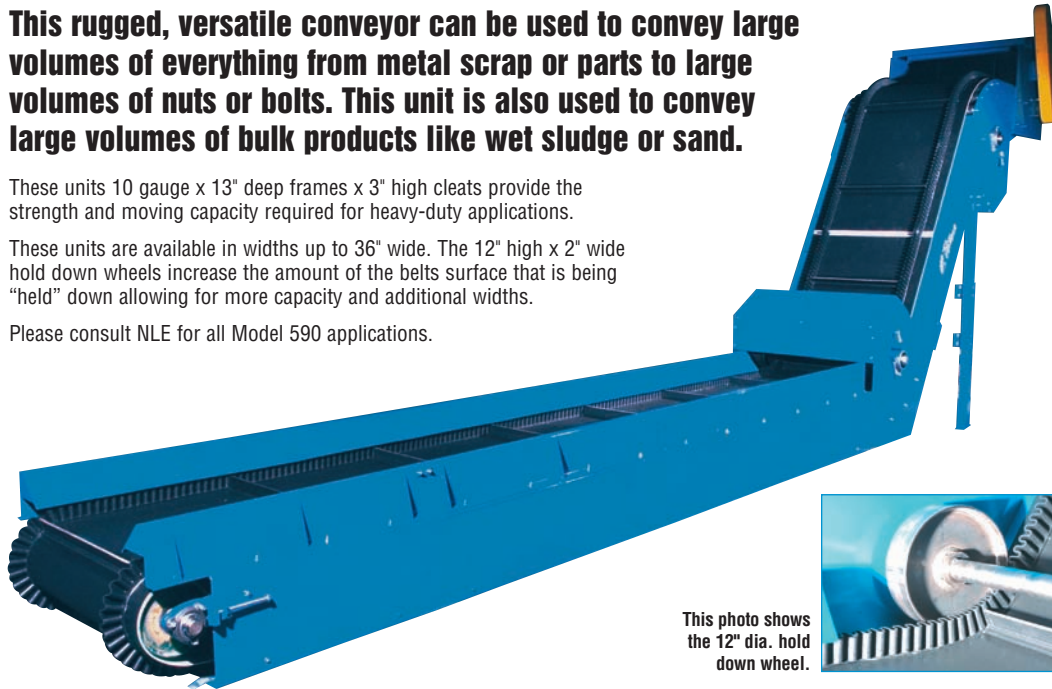
(Model 591 is a heavy shaft Model 590)

This rugged, versatile conveyor can be used to convey large volumes of everything from metal scrap or parts to large volumes of nuts or bolts. This unit is also used to convey large volumes of bulk products like wet sludge or sand.

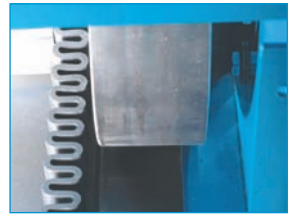
These units 10 gauge x 13" deep frames x 3" high cleats provide the strength and moving capacity required for heavy-duty applications.

These units are available in widths up to 36" wide. The 12" high x 2" wide hold down wheels increase the amount of the belts surface that is being "held" down allowing for more capacity and additional widths.

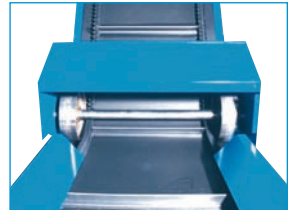
Please consult NLE for all Model 590 applications.



This photo shows the 3" of belt recess required for the hold down wheels to hold down the belt at the curve.



This photo shows the (2) 12" diameter hold down wheels with 45 degree flared infeed rails (rails are optional).



This photo shows the 12" dia. hold down wheel.

Cleated Belt

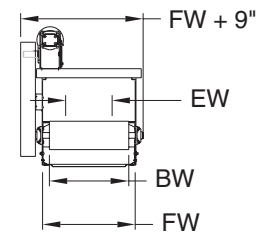
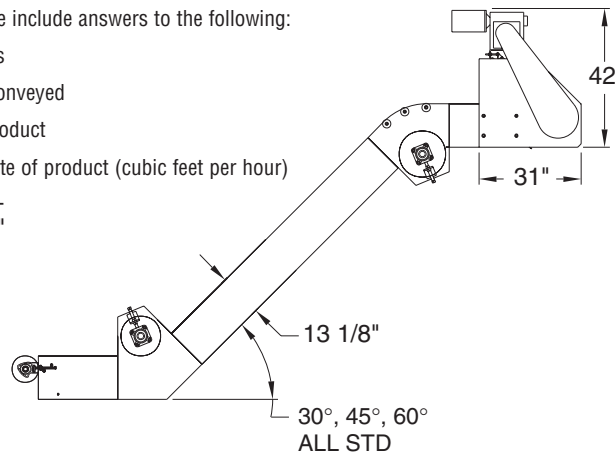
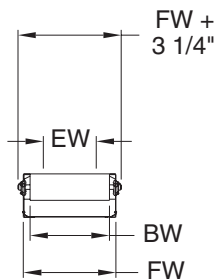
Belt Width:	12"	18"	24"	30"	36"
Effective Width:	6"	12"	18"	24"	30"

Cleated with 3" High Sidewalls (Bulk Applications)

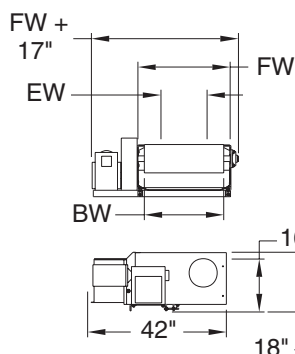
Belt Width:	14"	18"	24"	30"	36"
Effective Width:	6"	8"	14"	20"	26"

For bulk material applications, please include answers to the following:

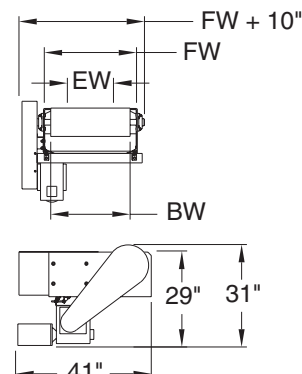
- Proposed conveyor dimensions
- Description of product being conveyed
- Weight per cubic foot of the product
- Feeding method and feeding rate of product (cubic feet per hour)



TOP DRIVE



SIDE DRIVE



BOTTOM DRIVE

MODEL 591 Heavy Duty Parts or Bulk Material Conveyor

Standard Specifications

Standard Speed: 30 FPM

Standard Motor: 1/2 HP 230/460/3/60

Standard Drive: Top Mount, Right Side

Drive Pulley: 8" Dia Crown Face Rubber Lagged x 1-11/16"

Infeed Pulley: 8" Dia Crown Face Take Up x 1-7/16"

Cleated Belt: 2-ply 150 cross rigid with 3" high cleats on 12" centers with #1 unibar lacing

Corrugated Belt: 2-ply 150 cross rigid with 2-1/2" high cleats on 12" centers with #1 unibar lacing with 3" high corrugated sidewalls.

Total Recess: 3"/side belt recess + 2"/side for corrugated sidewall

Hold Down Wheels: (2) 12" high x 2" wide x 1-7/16" bore

Frame: 12" Deep x 10 Gauge

Bearings: Grease Sealed

Inclined Conveyors Comparison Chart

Inclined Conveyors – "S" Shaped Units – Horizontal to Incline (Type II) – Horizontal to Incline to Horizontal (Type III) – Incline to Horizontal (Type IV) –

These units use cleated belts to carry loose, unpacked items like plastic parts, nuts & bolts and stampings from a horizontal position up an incline.

MODEL	DESCRIPTION	FRAME GAUGE	FRAME DEPTH	DRIVE PULLEY SIZE	DRIVE PULLEY TYPE*	DRIVE PULLEY SHAFT DIA.	INFEED PULLEY SIZE	INFEED PULLEY TYPE*	INFEED PULLEY SHAFT DIA.	STANDARD BELT	STD. DRIVE	OTHER
521	Light duty parts or bulk material handling conveyor	12	6.625"	4.5"	CFRL pulley	1.1875"	4"	CF pulley	1.1875"	3 ply RMV with 1-1/2" cleats on 12" centers 1-1/2" wall x 1" cleats for bulk applications	Top	- 1-1/2" or 3/12" side rails - 1-7/8" dia. x 3/4" face hold down wheels - 30°, 45° and 60° inclines std
361	Standard duty V-guided type II, III & IV conveyor**	12	6.625"	4.625"	FFRL "A" section	1.1875"	4.25"	FF "A" section	1.1875"	2 ply black PVC 120 with 1-1/2" cleats on 12" centers "A" section	Top	V-guided M521
590	Medium to heavy duty parts or bulk material conveyor	10	13"	8.625"	CFRL pulley	1.4375"	8"	CF pulley	1.4375"	- 2 ply 150 cross rigid x 3" cleats on 12" centers	Top	(2) 12" diameter x 2" wide deflection hold down wheels - 3" high wall x 2-1/2" cleats for bulk app.
591	Heavy duty parts or bulk material conveyor	10	13"	8.625"	CFRL pulley	1.6875"	8"	CF pulley	1.4375"	- 2 ply 150 cross rigid x 3" cleats on 12" centers	Top	- Heavy drive shaft M590 - (2) 12" diameter x 2" wide deflection hold down wheels - 3" high wall x 2-1/2" cleats for bulk app.

*BM = Bottom Mount; CF = Crown Faced; CDBM = Center Drive Bottom Mount; CH = Channel; FF = Flat Faced; RL = Rubber Lagged; RA = Right Angle; Std = Standard

**Type II = Horizontal to Incline; Type III = Horizontal to Incline to Horizontal; Type IV = Incline to Horizontal

Model 521, 361, 590 & 591 Worksheet

Model	General Guidelines	Hold Down Wheels	Minimum cleated belt recess per side = Belt Width x .10 Minimum corrugate belt recess per side = (Belt Width + Sidewall Height) x .10 Effective Width = Belt Width - (Recess + Corrugated wall width)
521 & 361	Maximum recommended length is 20'	45 & 60 degree (4) cams per side rather than (3)	Minimum belt recess = 3" per side
590 & 591	Consult NLE	(2) 12" hold down wheels	Corrugated wall width = 2" per side

	MODEL 521 & 361 CLEATED ONLY				MODEL 521 & 361 CLEATED & SIDEWALLS				MODEL 590 & 591 CLEATED ONLY					MODEL 590 & 591 CLEATED & SIDEWALLS				
Belt Width	8"	12"	18"	24**	12"	18"	24**	12"	18"	24"	30"	36"	14"	18"	24"	30"	36"	
Effective Width	5"	9"	15"	21"	6"	12"	18"	6"	12"	18"	24"	30"	6"	8"	14"	20"	26"	

*These are the maximum widths available. The M590 effective widths are for the standard belt with 3" high x 2-1/2" mini sidewall corrugation.

Unit Weights (Shipping Weights – lbs.)

BELT WIDTHS	12"	18"	24"	30"	36"	40"	48"
LENGTHS							
5'	491	537	601	652	700	751	801
10'	648	736	828	904	978	1065	1151
15'	841	972	1093	1195	1296	1420	1543
20'	998	1171	1320	1447	1574	1734	1893
25'	1191	1407	1585	1738	1892	2089	2285
30'	1348	1606	1812	1990	2170	2403	2635
ADD FOR EACH CURVE	101	115	129	143	157	171	185

Conveyor weights include standard drive and supports. Other options, crating etc. are not included.

Skid Dimensions

CONTACT NLE FOR SKID DIMENSIONS

