

Tilt-A-Lift® Fork Lift Lifter

Fast, Safe and Easy Maintenance for Fork Lift Trucks

Tilt-or-Lift, Inc., the leading designer of specialty lifts for over 20 years, has taken a different angle in designing an effective industrial maintenance lift. The result: the patented *Tilt-A-Lift*® fork lift service lift.

The *Tilt-A-Lift* service lift simplifies maintenance and repair of fork lifts and other short-wheelbase industrial vehicles. Just set the width of the portable unit to the required distance and drive the vehicle onto the loading ramp and into position. The *Tilt-A-Lift* service lift raises the vehicle as much as 60 degrees from horizontal using no cables, chains or worm screws and allows easy access to underside parts for lubrication, repair or part replacement.

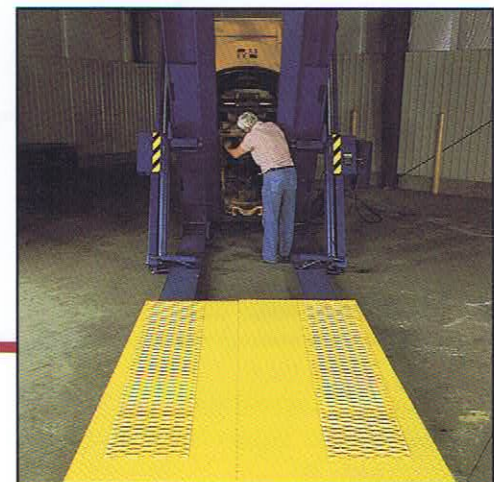
A New Level of Safety and Versatility

The *Tilt-A-Lift* service lift complies with applicable ANSI and OSHA requirements. Automatic safety pawls are incorporated in the design to prevent accidents in the event of hydraulic failure. The lift is equally safe for the fork lift, since the vehicle is being raised by its wheels as recommended by manufacturers.

The *Tilt-A-Lift* service lift is portable and has removable runway panels for easy access to underside parts. All lifts are shipped assembled and factory tested and carry a full one-year warranty. A variety of popular options is available to increase the lift's versatility.

The *Tilt-A-Lift* service lift; one of the fine family of fork lift service lifts available from Tilt-or-Lift, Inc., the lift specialists. There are no finer lifts available – anywhere.

“We stand under our products.”



**Manufacturers of
Fork Lift Maintenance Lifts**

Tilt-A-Lift® Fork Lift Lifter

Specifications

Model S-15-A

- Capacity: 15,000 lbs. G.V.W.
- Lift beam length: 7'3"
- Lift width: 52" to 66"
- Max. tilt angle: 60 degrees
- Motor: 1.5 HP, Power: 3 phase
- Shipping weight: 4500 lbs.

Features

- Portable hydraulic lift
- 18" runways adjust from 52" to 66" (outside dimension)
- Automatic safety locks
- Lockable control panel
- Removable runway panels
- Shipped assembled and factory tested

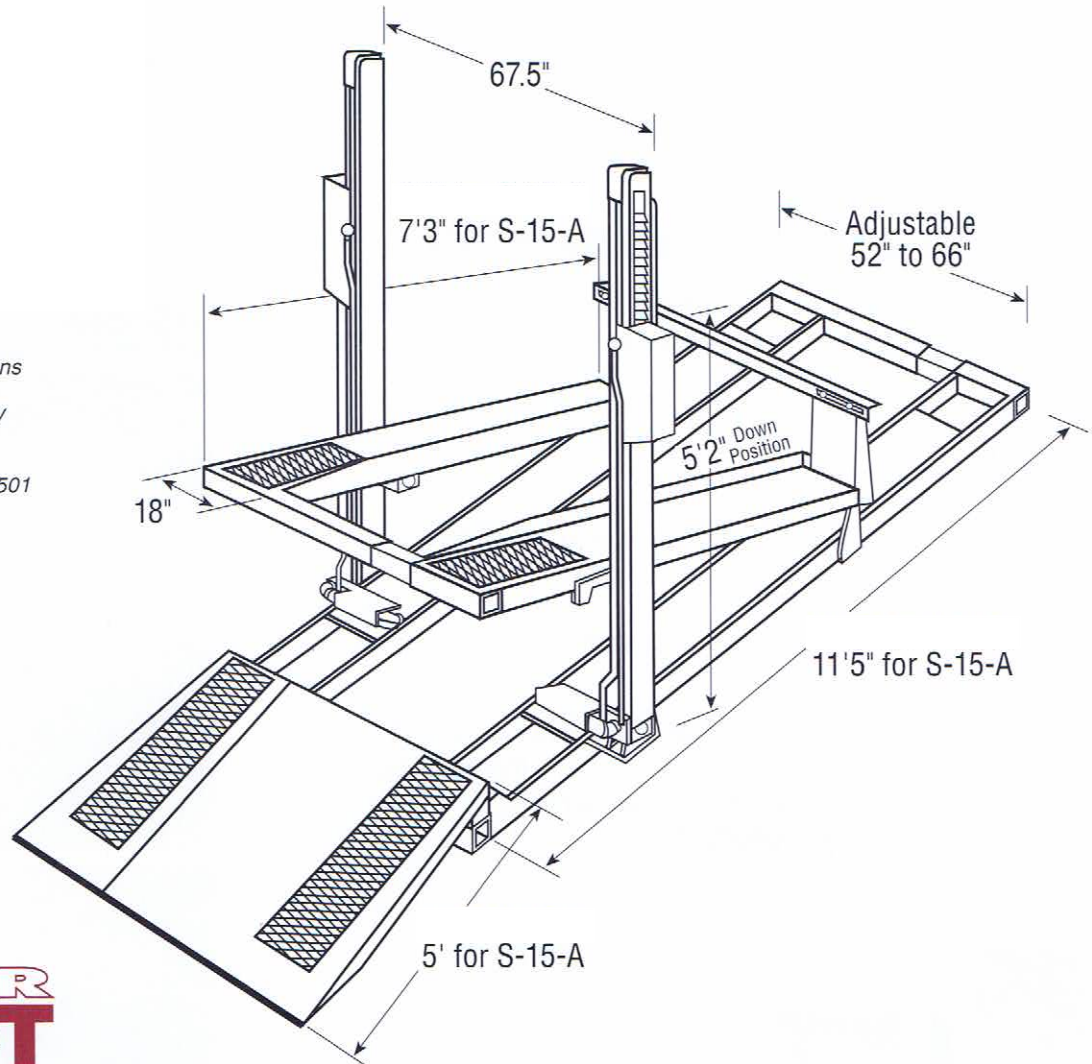
Options

- Wheel freeing device
- Center ramp kit - for 3-wheel trucks
- Ramp - 10'-0" long

All units are subject to change and modifications

Note: Dimensions may change without notice.

U.S. Patent No. 4,134,501



**Manufacturers of
Fork Lift Maintenance Lifts**