

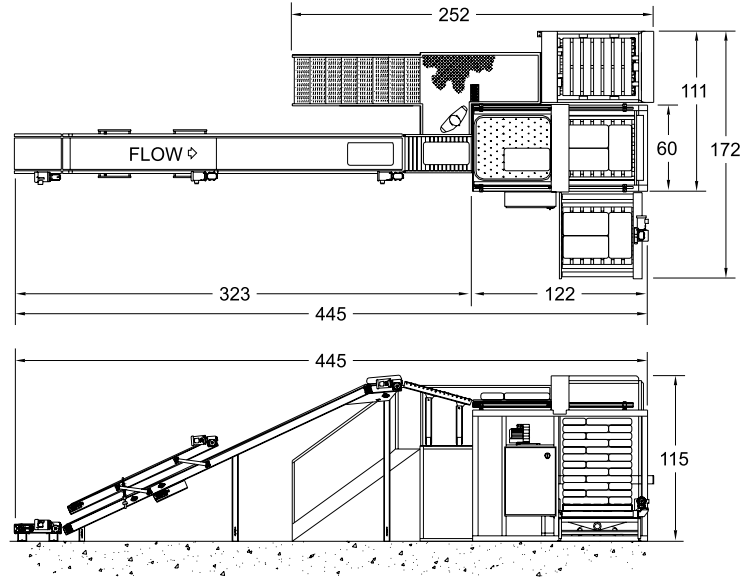
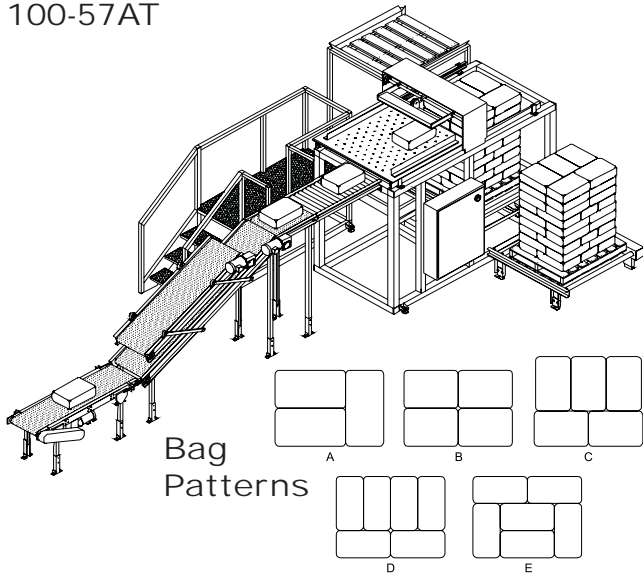
Newcastle Company, Inc.

Semi-Automatic Bag Palletizer Model 100-57AT



Phone: 724-658-4516 ■ Fax: 724-658-5100 ■ E-Mail: ncco@newcastleco.com

100-57AT



Features

- High infeed
- Air table
- Compact
- Modular construction

Description

The 100-57AT is an economical alternative to a fully automatic bag palletizer. The operator forms layers on an air table then automatically places each layer on an elevated pallet while an inclined bag flattener shapes bags prior to layer forming. Pallet dispensers and conveyors can be utilized for automatic pallet handling as options.

Operation

First, bags are received from customer's conveyor and conveyed up to the operator's position with an inclined bag flattener. The operator then manually positions the bags on an air table and stripper plate. With a pallet in position on the lift, the stripper plate extends, the stop bar is lowered and the plate is retracted, stripping bags onto a pallet.

Options

- Pallet Dispenser
- Tier and Slip Sheet Dispenser
- Bag Conveyors
- Bag Kicker
- Check Weight Conveyor
- Glue System
- Reject Conveyors

Accessories

