

# Newcastle Company, Inc.

## Box Palletizer Model 100-57LB

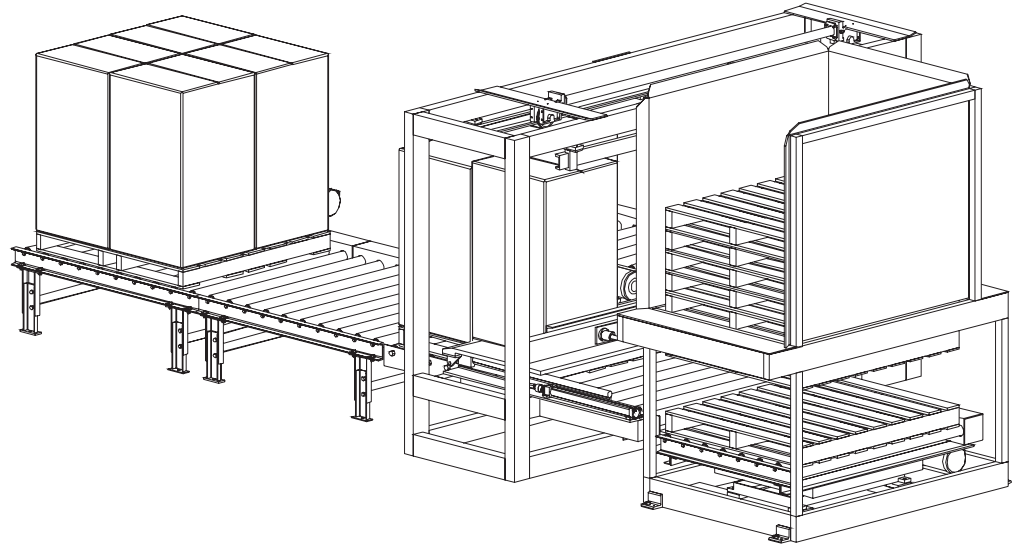
Phone: 724-658-4516 ■ Fax: 724-658-5100 ■ E-Mail: [ncco@newcastleco.com](mailto:ncco@newcastleco.com)



### Description

100-57LB

The Model 100-57LB Box Palletizer is designed to automatically palletize large, heavy boxes on wood or plastic pallets.



### Operation

Empty pallets are stored in a magazine and are dispensed and positioned for box palletizing. A powered infeed roller conveyor stages boxes for transfer. A hydraulic push bar transfers single boxes to a stripper plate. When a full row is formed, the stripper plate retracts, placing the boxes on a pallet. Full pallets are discharged for fork truck removal.

