

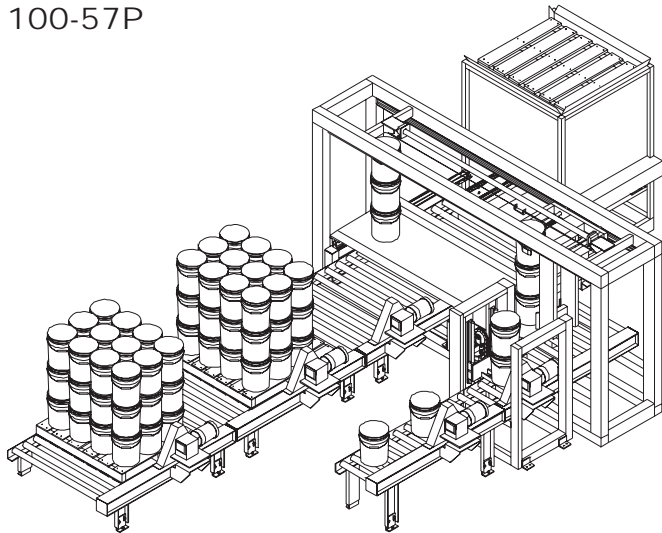
# Newcastle Company, Inc.

Automatic Pail Palletizer Model 100-57P

Phone: 724-658-4516 ■ Fax: 724-658-5100 ■ E-Mail: [ncco@newcastleco.com](mailto:ncco@newcastleco.com)



100-57P



100-57P Automatic Pail Palletizer

## Features

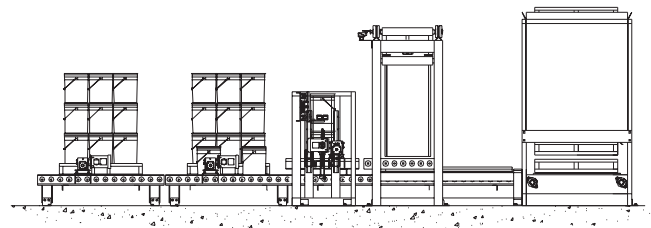
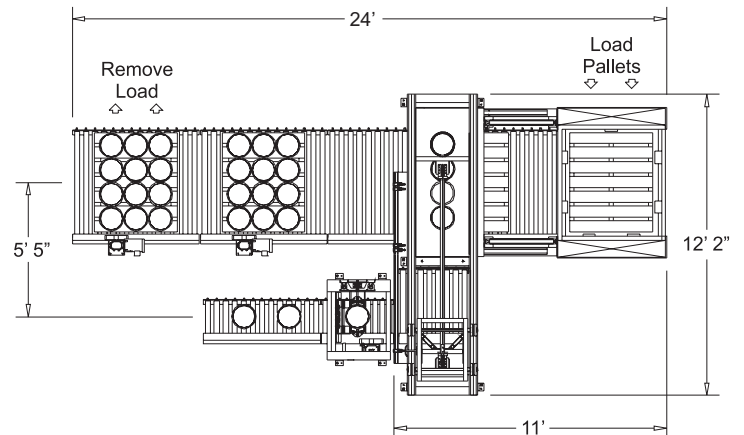
- Multiple patterns
- Metal or plastic pails
- Controls for wash down or explosion proof applications

## Description

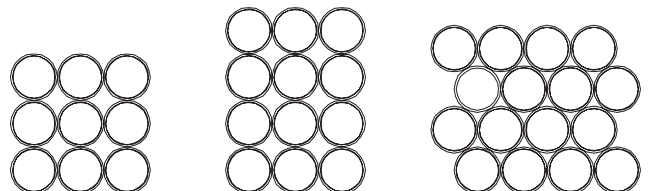
The Model 100-57P Automatic Pail Palletizer stacks and palletizes plastic or metal pails. Unit has been designed as a maintenance free system. The equipment is hydraulically operated and utilizes standard readily available components.

## Operation

Empty pallets are stored in a magazine and are automatically dispensed for pail palletizing. Single pails are received from customer's conveyor and upstacked. Stacked pails are transferred to a stripper plate with hydraulic push plate. The stripper plate then retracts placing the pails on a pallet. Full pallets are discharged for fork truck loading.



## Pail Patterns



# Newcastle Company, Inc.

Automatic Pail Palletizer Model 100-57P

Phone: 724-658-4516 ■ Fax: 724-658-5100 ■ E-Mail: [ncco@newcastleco.com](mailto:ncco@newcastleco.com)



## Configurations

