

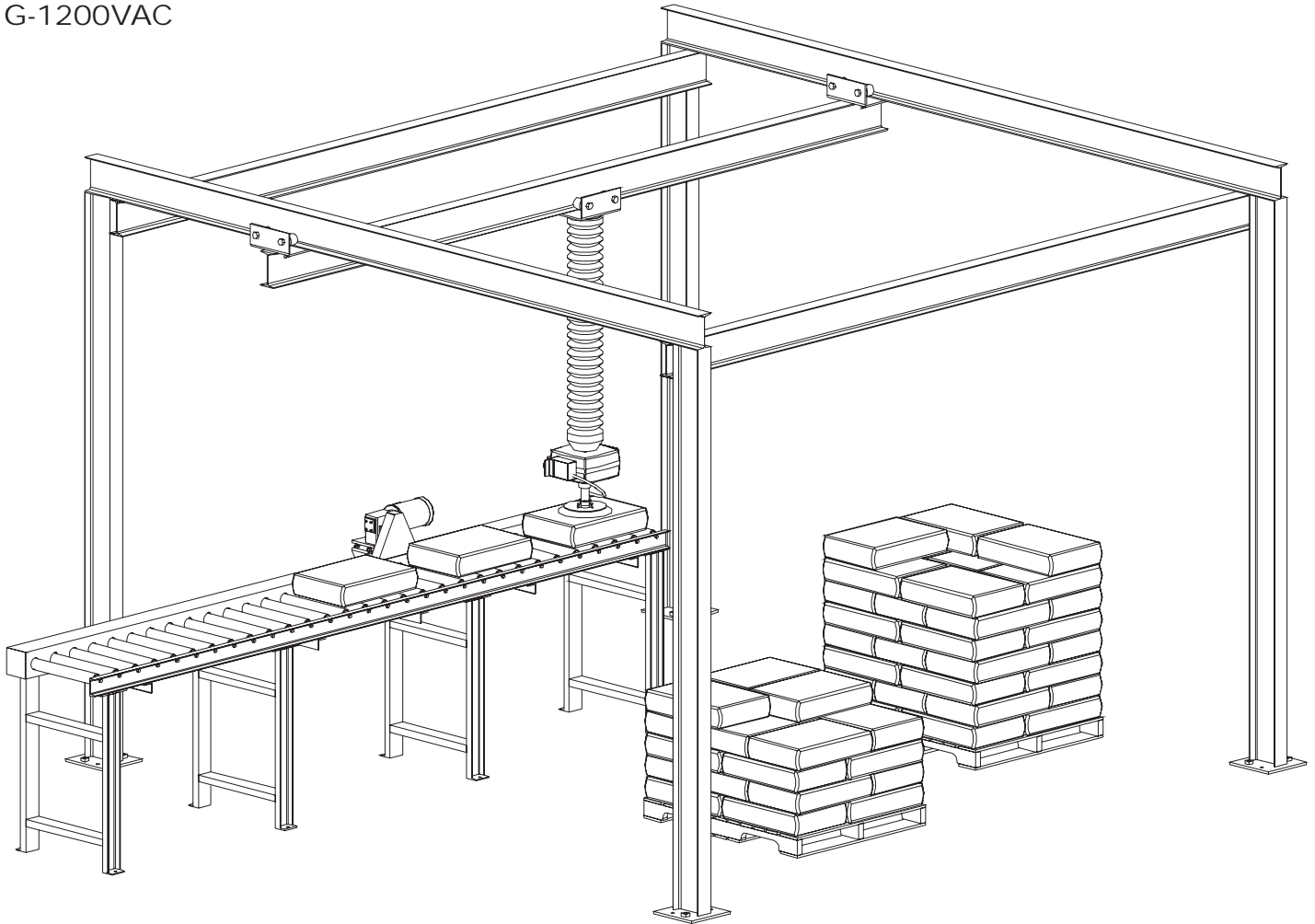
Newcastle Company, Inc.

Vacuum Lifters with Interchangeable Pads Model G-1200VAC

Phone: 724-658-4516 ■ Fax: 724-658-5100 ■ E-Mail: ncco@newcastleco.com



G-1200VAC



Description

The G-1200VAC is a Vacuum Lifter with interchangeable pads for nonporous and semi-porous loads. The system can be mounted to a jib crane or overhead gantry.

