

# Newcastle Company, Inc.

Upenders Model G-790 & G-795

Phone: 724-658-4516 ■ Fax: 724-658-5100 ■ E-Mail: [ncco@newcastleco.com](mailto:ncco@newcastleco.com)



G-790 Uperder

## Features

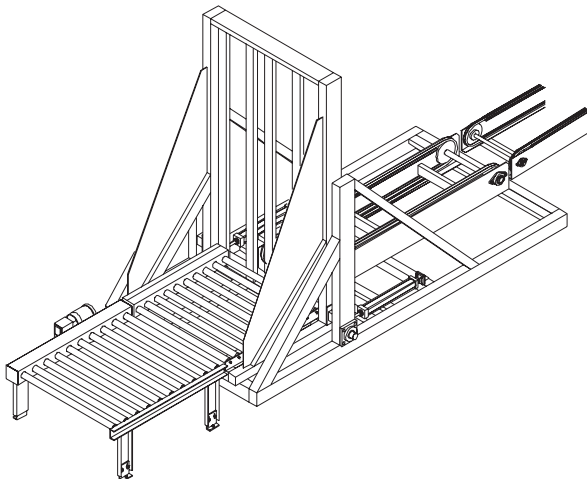
- In-line operation
- Infeed and discharge conveyors
- 90 degree rotation
- 4,000 lb. capacity

## Description

Upending, downending or positioning rolls and other types of loads is safe and efficient with this 90 degree hydraulic upender.

## Operation

Product is conveyed into position on the upender. Hydraulic cylinders rotate product 90 degrees and discharge load to accumulation conveyors (optional) for fork truck removal.



G-795 Uperder

## Features

- In-line operation
- Infeed and discharge conveyors optional
- 90 degree rotation

## Description

The Model G-795 is utilized for in-line case handling. Cases are automatically up-ended for labeling and palletizing. Infeed metering conveyors and discharge conveyors are available to interface with existing equipment if required.