

Newcastle Company, Inc.

Bag Flattener Model IC-2500

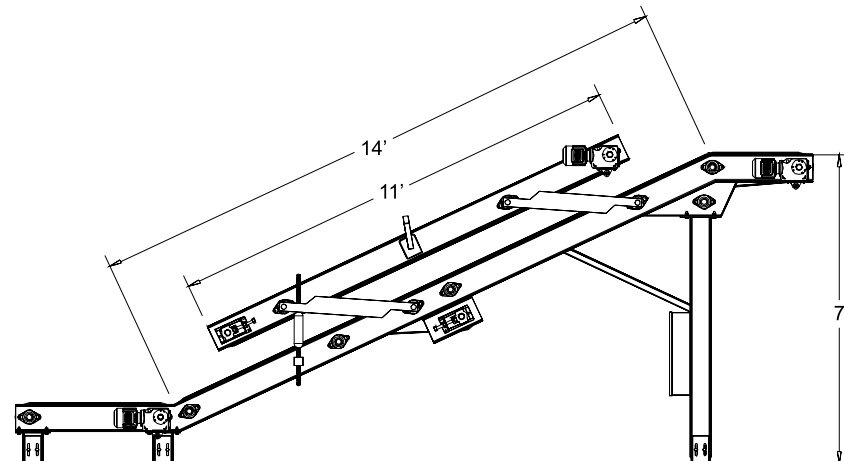
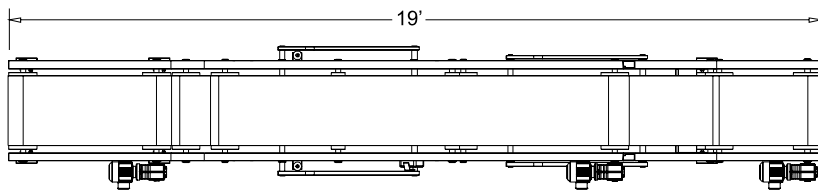
Phone: 724-658-4516 ■ Fax: 724-658-5100 ■ E-Mail: ncco@newcastleco.com



Optional Bag Kicker



IC-2500 Bag Flattener with Optional Bag Kicker



Features

- Shapes and flattens filled bags
- Roller bed belt conveyors
- Safety stop cable on perimeter

Description

The Model IC-2500 Bag Flattener is designed to produce flat, uniform bags. This machine is well suited for manual, semi-automatic, or fully automatic bag palletizing systems. Two 1hp gear motors are used to convey and compress product. Compression exerted on bags is fully adjustable with an air regulator. Nema 12 dust tight controls are standard equipment. Explosion proof controls, infeed section, wider conveyor sections and casters are optional.