

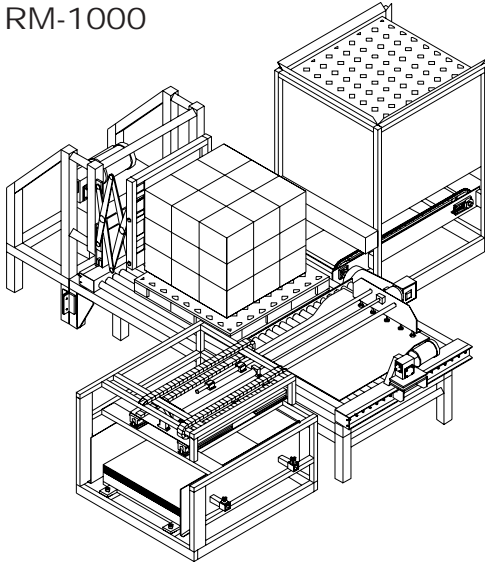
Newcastle Company, Inc.

Pallet to Slip Sheet Load Transfer System Model RM-1000

Phone: 724-658-4516 ■ Fax: 724-658-5100 ■ E-Mail: ncco@newcastleco.com



RM-1000



RM-1000 Transfers Cased Product from Pallet to Slip Sheet

Features

- Completely automatic
- Pallet stacker
- Slip sheet dispenser
- In-line operation

Description

The RM-1000 is an automatic system for transferring product from a pallet to a slip sheet. Sheets are lifted, transferred and clamped to receive cases from a wood in-house pallet. A hydraulic push plate then transfers the cases. Empty pallets are automatically stacked in a magazine for removal by a fork truck.

Operation

Product on pallet is conveyed into position in front of a push attachment. A slip sheet is then dispensed onto the roller conveyor and clamped in position. The product is transferred from the pallet to the slip sheet. The empty pallet is conveyed into a pallet stacker and stored for removal.

