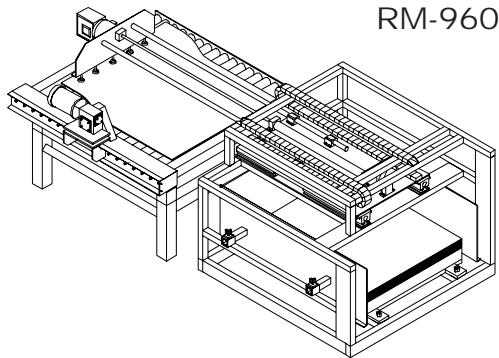


Newcastle Company, Inc.

Telescoping Sheet Dispenser Model RM-960

Phone: 724-658-4516 ■ Fax: 724-658-5100 ■ E-Mail: ncco@newcastleco.com



RM-960 Dispenses Sheet for Load Transfer

Features

- Dispenses tie, top or slip sheets automatically
- Vacuum sheet pickup
- 3 sheets per minute cycle rate
- Horizontal travel via telescoping boom

Description

The RM-960 automatically dispenses slip sheets for load transfer or palletizing applications.

Operation

Single sheets are automatically lifted from a storage magazine with a set of vacuum pads, transferred horizontally and placed for load transfer or palletizing. Sheet loading is in-line or right angle to sheet dispensing.

