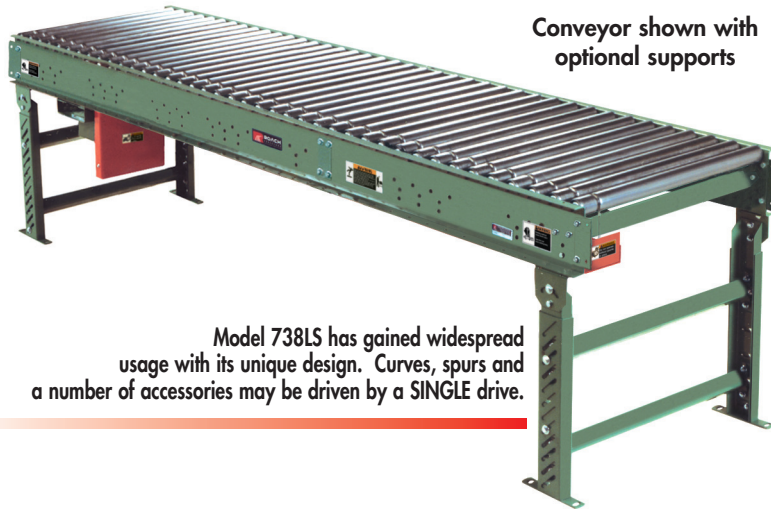
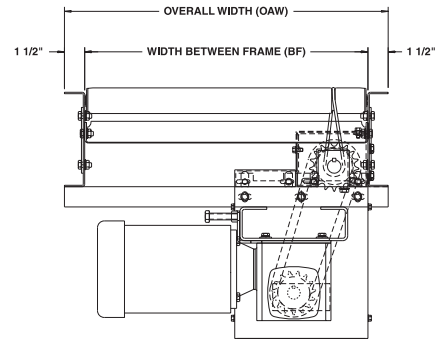


MODEL 738LS LIGHT DUTY LINE SHAFT DRIVEN LIVE ROLLER

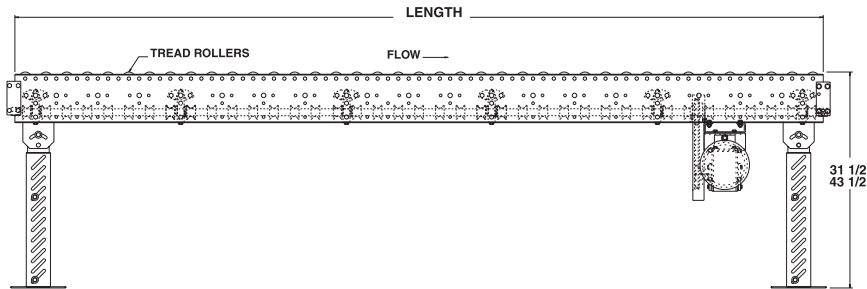


Conveyor shown with optional supports

Model 738LS has gained widespread usage with its unique design. Curves, spurs and a number of accessories may be driven by a SINGLE drive.



| BF | 10" | 16" | 22" |
|-----------------|---|------|------|
| OAW | 13" | 19" | 25" |
| Length | Unit Weights (lbs.) W/1-1/2" Roller Centers* | | |
| 10' | 403 | 502 | 601 |
| 20' | 614 | 776 | 939 |
| 30' | 825 | 1051 | 1276 |
| 40' | 1036 | 1325 | 1614 |
| 50' | 1247 | 1599 | 1952 |
| 60' | 1458 | 1874 | 2289 |
| 70' | 1669 | 2148 | 2627 |
| 80' | 1880 | 2422 | 2965 |
| 90' | 2091 | 2697 | 3302 |
| 100' | 2302 | 2971 | 3640 |
| Deduct Per Foot | 21 | 27 | 34 |



*For other centers, deduct the following (RC/lbs. per ft.):
10" BF--3" RC/4 lbs.; 4" RC/5 lbs.; 6" RC/6 lbs.
16" BF--3" RC/6 lbs.; 4" RC/7.5 lbs.; 6" RC/9 lbs.
22" BF--3" RC/8 lbs.; 4" RC/10 lbs.; 6" RC/12 lbs.

SPECIFICATIONS

TREAD ROLLERS: 1-3/8" dia. x 18 ga. galvanized steel, model 138G w/ 5/16" hex, grooved.

DRIVE BELT: 1/8" dia., polyurethane belts. Nominal 10 lbs. per roller drive.

DRIVE SHAFT: 1" dia. C1018 cold rolled steel shaft.

COUPLINGS: Couplings located both ends (type "A"), one end only (type "B" or "C") or none (type "D"). See 'line shaft coupling chart' on page 74 & specify.

CENTER DRIVE: Reversible drive; located approx. 18" from end of bed section for 3" and 6" RC; 16-1/2" for 4" RC.

BED: 7" x 1-1/2" x 12 ga. formed steel channel frame. Bed sections attached w/ splice plates and floor supports.

SPEED: 60 FPM, constant.

BEARINGS: Precision, lubricated, ball bearing units with composite housings.

MOTOR DRIVE: 1/3 HP, 230/460/3, 60 cycle, ODP right angle gear motor.

ROLLER CHAIN: Drive shaft is driven by No. 50 chain. Chain take-up provided on motor base.

CAPACITY: See Technical Section for load capacity rating.

ELECTRICAL CONTROLS: Optional.

| HP@ 60 FPM | "A" MAX |
|---------------|------------|
| 1/3, 1/2 | 21" |
| 3/4, 1 | 22" |
| 1-1/2, 2 | 23" |

OPTIONAL EQUIPMENT

SIDE MOUNTED DRIVE: With 10" minimum elevation.

FLOOR SUPPORTS: Supports, knee braces, casters, polytier supports & ceiling hangers available. See Conveyor Accessories.

SPEED: Constant 15-120 FPM, or variable (specify). MINIMUM operating speed for line shaft conveyor is 30 FPM. **NOTE: CAPACITY CHANGES WITH SPEED.**

MOTORS: Available through 2 HP in TEFC, explosion proof, dirty duty, 115/230/1, 575/3.

ELECTRICAL CONTROLS: Manual start/stop push button switch; magnetic starter; others available.



■ 3 week shipment