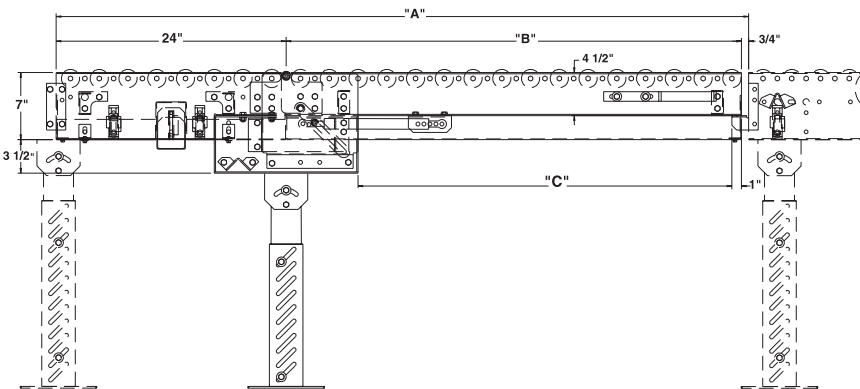
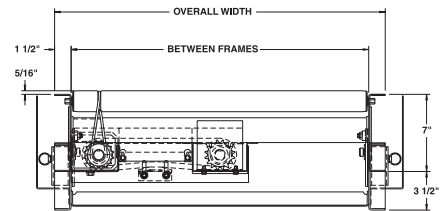


# MODEL 796LSG LINE SHAFT GATE MODULE

Conveyor shown with optional supports



Model 796LSG offers the ultimate versatility--it is driven by 796LS so no drive is required and it offers operator accessibility eliminating dangerous walk-overs.



## OPTIONAL EQUIPMENT

**FLOOR SUPPORTS:** Supports, knee braces, casters, polytier supports & ceiling hangers available. See Conveyor Accessories.

**GUARD RAILS:** Consult factory for guard rails to be used with line shaft gate module.

## SPECIFICATIONS

**TREAD ROLLERS:** 1.9" dia. x 16 ga. steel, model 196S grooved.

**DRIVE BELT:** 3/16" dia., polyurethane belts. Nominal 15 lbs. per roller drive.

**DRIVE SHAFT:** 1" dia. C1018 cold rolled steel shaft, located on long side of spur.

**COUPLINGS:** Couplings located on horizontal sections only.

**LIFT:** Gas cylinder provides assist for raising/lowering.

**BEARINGS:** Precision, lubricated, ball bearing units with composite housings.

**BED:** 4-1/2" x 1-1/2" x 10 ga. formed steel channel frame on actual lift gate; 7" x 1-1/2" x 12 ga. on 2' horizontal section.

**MOTOR DRIVE:** Unit is designed to be driven by 796LS.

**SPECIFY HAND:** Specify if gate is left hand or right hand.

## GATE LENGTHS/OPENINGS

GATE	"A"	"B"	"C"
5'	60-1/4"	35-1/2"	26-7/8"
6'	72-1/4"	47-1/2"	38-7/8"
7'	84-1/4"	59-1/2"	50-7/8"

