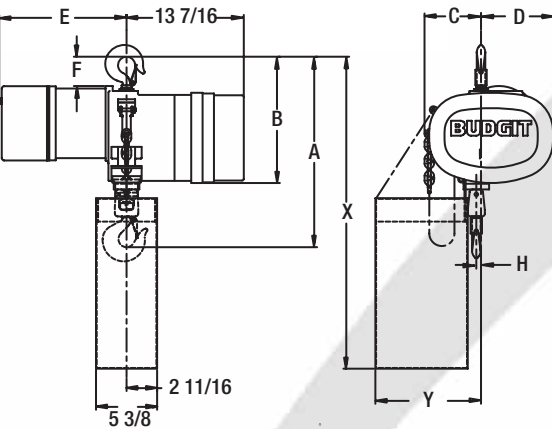


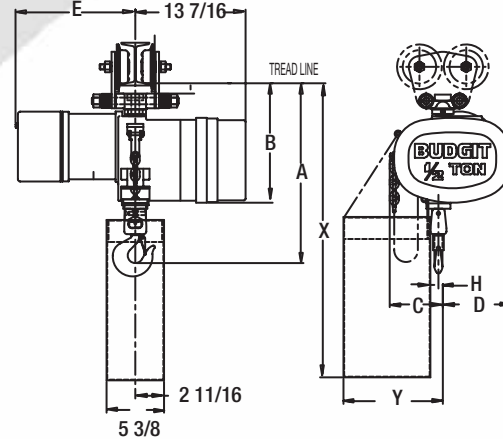


- Variable speed control with single speed motor
- Minimizes high-starting current on motor which helps keep it cool extending life of motor and also permits increase in motor run-time and starts/stops over standard contactor control.
- Electronic reversing, multispeed operation (up to 3 steps) eliminates conventional magnetic contactors which are wearable components
- Voltages available are 380-460/3/60, 208-230/3/60 and 208-230/1/60
- 10:1 speed ratio permits precise positioning for load spotting
- H4 duty rating
- 2-step infinitely variable push-button control standard. 3-step also available
- Thermal overload protection
- Fault recorder helps troubleshoot various problems such as power related issues.
- 3 programmable outputs

## Hook Mount



## Lug Mount



## Specifications & Dimensions

Capacity	Hoist Catalog #	Lift Speed	Motor	Parts of Chain	Net Weight	A		B		C	D	E* Max.	F	G	X**		Y
						Hook	Lug	Hook	Lug						Hook	Lug	
tons		FPM	H.P.		lbs	in	in	in	in	in	in	in	in	in	in	in	
1/4	BEHC2516V	16	1/4	1	77	16-3/4	16-13/16	11-1/8	11-3/16	5	6-5/16	14-1/4	2-9/16	15/16	27-1/2	27-5/8	9-1/2
	BEHC2532V	32	1/2		80												
	BEHC2564V	64	1		77												
1/2	BEHC5016V	16	1/2	1	80	16-3/4	16-13/16	11-1/8	11-3/16	5	6-5/16	14-1/4	2-9/16	15/16	27-1/2	27-5/8	9-1/2
	BEHC5032V	32	1		81												
	BEHC0108V	8	1/2		88												
1	BEHC0116V	16	1	1	89	17-1/2	17-3/8	11-7/16	11-3/8	5-1/8	6-5/16	14-1/4	2-15/16	1-1/8	27-7/8	27-3/4	9-1/2
	BEHC0132V	32	2-1/2		95												
	BEHC0204V	4	1/2		110												
2	BEHC0208V	8	1	2	111	23	22-1/16	13-1/8	12-3/16	6-3/8	5-1/16	14-1/4	4-9/16	1-1/16	33-1/2	32-5/8	10-3/4
	BEHC0216V	16	2-1/2		112												
	BEHC0305V	5	1		136												
3	BEHC0305V	5	1	3	136	25-7/8	26-5/16	14-3/8	14-7/8	7-7/8	7-1/8	14-1/4	5-7/8	2	38-7/8	39-1/4	12-1/4
	BEHC0310V	10	2-1/2		146												

\* Maximum length for 3 phase model hoists. Consult factory for exact dimensions.

\*\* Dimensions based on lifts thru 30 ft (1/4 - 1 Ton capacities), thru 15 ft lift (2 Ton capacity) and thru 10 ft lift (3 Ton capacity)