

BUDGIT® USA Hand Chain Hoists

BUDGIT USA Hand Chain Hoists were boldly engineered to combine various materials with special shapes and incorporating features to ensure greater strength and ruggedness, true efficiency, smooth operation and greater reliability. BUDGIT USA Hand Chain Hoists boast features like:

- Light weight.
- Frame made from tough aluminum alloy casting with high strength qualities.
- Hand chain wheel cover of heavy pressed steel with special shape to guide the hand chain through gag-resistant operations.
- A proven load brake design of the Weston Type for fine, sure control.
- Overload device standard. Protection from excessive overloads.

Hook Suspension Hoists

BUDGIT USA Hook Suspended Hoists are lightweight and compactly designed for portable, hook-on, use anywhere type service. The rugged design provides long life in industrial and construction service and is frequently used in rigging and off-vertical type lifting requirements.

Trolley Hoists

USA Army Type Trolley Hoist has the advantage of decreasing the headroom with close coupled trolley connection. The trolley hoist delivers tighter headroom where just a couple of inches greater lift is of utmost importance.

USA Army Type Trolley Hoist is a variation of the hook suspended hand chain hoist. Rather than the standard hook suspension, trolley hoists have a lug suspension to permit a rigid mount trolley to be attached to the hoist...making up the trolley hoist unit. Trolley can be either a push or hand geared model. The 1-ton model, because of its compactness, requires a special hand chain wheel extension for the chain wheel to clear a monorail beam. Subsequently, the trolley for the 1-ton unit includes anti-tip guide rollers to prevent trolley tipping when the hand chain is pulled to raise or lower loads.

Construction Features

Frame: The frame of the USA Series Hoist is a tough, impact resistant, lightweight, heat treated, permanent mold cast aluminum alloy. The frame is heavily proportioned, designed primarily for rigidity to hold the gears and bearings in close alignment. The frame with the covers encloses all operating parts protecting them from dirt and the weather.

Overload Device: The chain wheel, in addition to having pockets accurately formed to receive the links of the hand chain, also forms a part of a unique patent pending overload device as a standard feature. The overload device is calibrated for the capacity of the hoist and factory installed as an added measure of protection for the load, hoist, and operator.

Gearing: The gearing is straight spur for good efficiency. The gears and pinions are generously proportioned and precision cut from alloy steel and heat treated for maximum strength and durability. All gears are grease packed in a grease tight gearcase.

Load Brake: The automatic, screw actuated, Weston-type load brake holds the load under all conditions and permits fine smooth control in lowering. The brake is self-adjusting with the friction washers long wearing, requiring low maintenance.

Load Sprocket: The load sprocket and sprocket gear are machined from one-piece steel forging. The chain guide is a heat-treated, spring steel, flexible guide which provides heat-treated smooth surfaces that flex in the frame, controlling the load without binding.

Load Chain: Closely calibrated chain links of special analysis alloy steel formed and heat-treated for unusual strength, carbonized for long wear and usage. The links are accurately formed to fit the pockets of the load sprocket.

Hand Chain: The hand chain is welded steel and zinc plated for corrosion resistance and "clean hands" operation. The chain links are accurately formed to fit the pockets of the chain wheel, for gag-resistant operation in the chain wheel and guide arrangement.

Hooks: The hooks are drop forged steel and are tough and ductile so that they will open noticeably when subjected to excessive overload. They are full swivelling, and each is equipped with a spring type hook latch.

Spark and Corrosion Resistant Models: Spark and corrosion resistant models are designed for service in certain hazardous atmospheres and areas where resistance to friction sparks is vitally important. These models have: bronze alloy hooks; bronze block sleeve or aluminum lower block; special chrome nickel stainless steel alloy load chains; and aluminum or bronze hand chain.



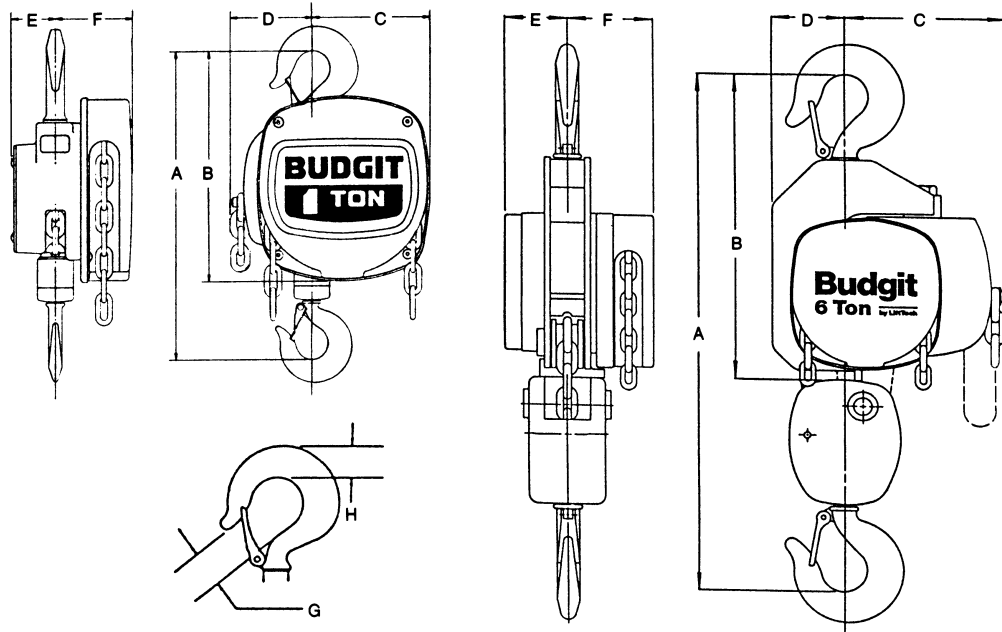


Capacities: 1/4 to 6 ton

Designed for long life with minimum maintenance, the BUDGIT USA family of hand chain hoists' outstanding features include: lightweight, tight headroom, overload device standard, easy operation. The 1/4 through 6 ton models are of the same basic construction and consist of a cast aluminum frame which houses an automatic load brake, spur gear reduction, and load sprocket with chain guide. Suspension hook is full swiveling.

Spark and Corrosion Resistant Models

Spark and corrosion resistant models are designed for service in certain hazardous atmospheres and areas where resistance to friction sparks is vitally important. These models have bronze alloy hooks, bronze block sleeve or aluminum lower block, special chrome nickel stainless steel alloy load chains, and aluminum hand chains on 1 through 6 ton models, or bronze hand chains, on 1/4 to 1/2 ton models.



Sizes, Catalog Numbers and Specifications

Outline Dimensions

Catalog Numbers		Operating Characteristics				Hook Dimensions										
Standard Models	Spark & Corrosion Resistant Models	Lifting Capacity In Tons	Net Wt. In Lbs.	Hand Chain Pull to Lift Full Load	Hand Chain Overhaul to Lift Load One Foot	Strands of Load Chain	Head Room A	B	C	D	E	F	Hook Opening G		Hook Thickness H	
													Upper Hook	Lower Hook	Upper Hook	Lower Hook
8260	8260SR	1/4	25.5	24 lbs.	25 ft.	1	12 1/2	9	4 3/4	3 3/4	2 1/8	3 1/2	1"	1"	1 1/32"	1 1/32"
8261	8261SR	1/2	25.5	48 lbs.	25 ft.	1	12 1/2	9	4 3/4	3 3/4	2 1/8	3 1/2	1"	1"	1 1/32"	1 1/32"
8262	8262SR	1	33.5	70 lbs.	35 ft.	1	13 1/4	10 1/2	5 1/2	3 3/4	2 1/8	3 5/8	1 1/8"	1"	1 1/8"	1 1/32"
8259	8259SR	1 1/2	50.0	60 lbs.	68.5 ft.	1	16 1/4	12	4 5/8	7 1/4	4 1/8	3 7/8	1 3/16"	1 1/8"	1 3/8"	1 1/8"
8263	8263SR	2	50.0	78 lbs.	68.5 ft.	1	16 1/4	12	4 5/8	7 1/4	4 1/8	3 7/8	1 3/16"	1 1/8"	1 3/8"	1 1/8"
8264	8264SR	3	75.0	60 lbs.	137 ft.	2	27 3/8	15 1/8	7 5/8	4 1/4	4 1/8	3 7/8	1 11/32"	1 11/32"	1 7/16"	1 7/16"
8265	8265SR	4	75.5	80 lbs.	137 ft.	2	27 3/8	15 1/8	7 5/8	4 1/4	4 1/8	3 7/8	1 11/32"	1 11/32"	1 7/16"	1 7/16"
8266	8266SR	5	105.0	70 lbs.	205.5 ft.	3	30 3/8	17	8 3/4	4	4 1/8	3 7/8	1 11/16"	1 11/16"	1 13/16"	1 13/16"
8267	8267SR	6	106.0	82 lbs.	205.5 ft.	3	30 3/8	17	8 3/4	4	4 1/8	3 7/8	1 11/16"	1 11/16"	1 13/16"	1 13/16"

Equipped with Hook Latches. Standard lift is 8 feet. Hand chain can drop approximately 1 1/2 ft. above fully extended hook. Available with longer than Standard Lifts.

Dimensions are in inches and apply to standard models and spark and corrosion resistant models except "A" and "B" dimensions may be slightly larger on the spark and corrosion resistant models. Apply to factory for these dimensions when critical to application.