

Lodestar electric chain hoist

The balanced, integrated, proven design of the Lodestar has made it the most popular electric chain hoist in the industry. Lodestar gives you more value for your money including:

- Quick change voltage board-change from low voltage to high voltage by simply repositioning receptacle
- Up to 3 ton capacities for heavy-duty industrial applications
- Gear train lifetime lubricated with non-oxidizing grease
- Precision machined and hardened lift-wheel with hardened chain guides for precise chain liftwheel fit
- Gearing designed for exceptionally long life and quiet operation
- H4 duty standard
- Rugged control station (NEMA 4X)
- Hoist duty motor, standard Protector overload device and standard screw type limit switches
- Hardened, forged steel, latch type hooks and Hoistaloy load chain for long, dependable service
- Easy to install and maintain
- No special tools required to disassemble
- Lifetime warranty
- Each hoist thoroughly inspected and tested to over 125% of rated load prior to shipment
- Meets ASME B30.16
- Metric rated
- Made in U.S.A.



Special applications

- Harsh environment hoists available for severe duty of plating, galvanizing and washdown applications
- Hoists with climbing capability available for temporary rigging or lifting applications — must be used in inverted position only
- Hoists with creep control allow precise positioning through field adjustment within the time delay range of .05 sec. to 3 sec.
- Articulating suspension 3 ton only

Specifications — two speed

Rated capacity* (tons)	Standard lift (ft.)	Lift speed (F.P.M.)	Motor H.P.	Model	Reeving	Product code† less suspension		Approximate shipping weight (lbs.)
						230-3-60	460-3-60	
1/8	10	10/32	1/4	A2	1	2707	2708	70
	10	20/60	1/2	AA2	1	2717	2718	74
1/4	10	5/16	1/4	B2	1	2727	2728	70
	10	10/32	1/2	C2	1	2737	2738	74
1/2	10	2.5/8	1/4	E2	2	2747	2748	79
	10	5/16	1/2	F2	1	2757	2758	74
	10	10/32	1	J2	1	3502	3503	116
	10	21/64	2	JJ2	1	3549	3550	130
1	10	2.5/8	1/2	H2	2	2767	2768	83
	10	5/16	1	L2	1	3504	3505	116
	10	10/32	2	LL2	1	3553	3554	130
2	10	2.5/8	1	R2	2	3506	3507	136
	10	5/16	2	RR2	2	3561	3562	150
3	10	1.75/5.5	1	RT2	3	9511	9513	161
	10	3.5/11	2	RRT2	3	9512	9514	175

†Specify voltage 230 or 460

Lodestar electric chain hoist - Specifications

Specifications — single speed

Rated capacity* (tons)	Standard lift (ft.)	Lift speed (F.P.M.)	Motor H.P.	Model	Reeving	Product code† less suspension		Approximate shipping weight (lbs.)
						115-1-60	230/460-3-60	
1/8	10	32	1/4	A	1	2702	2705	60
	10	60	1/2	AA	1	2712	2715	66
	15	32	1/4	A	1	3101	3103	64
	15	60	1/2	AA	1	3111	3113	70
	20	32	1/4	A	1	3102	3104	68
	20	60	1/2	AA	1	3112	3114	74
1/4	10	16	1/4	B	1	2722	2725	60
	10	32	1/2	C	1	2732	2735	66
	15	16	1/4	B	1	3121	3123	64
	15	32	1/2	C	1	3131	3133	70
	20	16	1/4	B	1	3122	3124	68
	20	32	1/2	C	1	3132	3134	74
1/2	10	8	1/4	E	2	2742	2745	69
	10	16	1/2	F	1	2752	2755	66
	10	32	1	J	1	3512	3515	110
	10	64	2	JJ	1	—	3545	117
	15	8	1/4	E	2	3141	3143	76
	15	16	1/2	F	1	3151	3153	70
	15	32	1	J	1	4212	4214	116
	15	64	2	JJ	1	—	4244	123
	20	8	1/4	E	2	3142	3144	83
	20	16	1/2	F	1	3152	3154	74
	20	32	1	J	1	4213	4215	121
	20	64	2	JJ	1	—	4245	128
1	10	8	1/2	H	2	2762	2765	75
	10	16	1	L	1	3522	3525	110
	10	32	2	LL	1	—	3555	117
	15	8	1/2	H	2	3161	3163	82
	15	16	1	L	1	4222	4224	116
	15	32	2	LL	1	—	4254	123
	20	8	1/2	H	2	3162	3164	89
	20	16	1	L	1	4223	4225	121
	20	32	2	LL	1	—	4255	128
2	10	8	1	R	2	3532	3535	130
	10	16	2	RR	2	—	3565	137
	15	8	1	R	2	4232	4234	140
	15	16	2	RR	2	—	4264	147
	20	8	1	R	2	4233	4235	150
	20	16	2	RR	2	—	4265	157
3	10	5.5	1	RT	3	9501	9505	155
	10	11	2	RRT	3	—	9508	162
	15	5.5	1	RT	3	9502	9506	169
	15	11	2	RRT	3	—	9509	176
	20	5.5	1	RT	3	9503	9507	183
	20	11	2	RRT	3	—	9510	190

†Single speed hoist factory wired 460V, convertible to 230V.

Lodestar with hook suspension

Clearance dimensions (in.)

Dimension	Lodestar models					
	A,B,C,F and AA	E and H	J, L, JJ and LL	R	RR	RT and RRT
A	16 ¹ / ₄	19 ⁵ / ₈	18 ⁹ / ₁₆	24 ¹ / ₈	24 ¹ / ₈	29 ⁹ / ₁₆
B	6 ¹ / ₈	6 ¹ / ₈	7 ⁵ / ₈	7 ⁵ / ₈	7 ⁵ / ₈	7 ⁵ / ₈
C	1 ¹ / ₁₆	7 ⁷ / ₈	7 ⁷ / ₈	1 ¹ / ₈	1 ¹ / ₈	1 ¹ / ₈
D	11	11	9 ¹ / ₂	9 ¹ / ₂	9 ¹ / ₂	9 ¹ / ₂
F	7 ³ / ₄	7 ³ / ₄	10 ¹¹ / ₁₆	10 ¹¹ / ₁₆	10 ¹¹ / ₁₆	10 ¹¹ / ₁₆
H	1	1 ³ / ₁₆	1 ³ / ₁₆	1 ¹ / ₂	1 ¹ / ₂	1 ¹ / ₂
I	4 ¹³ / ₁₆	3 ⁷ / ₈	7 ¹ / ₄	6 ³ / ₁₆	6 ³ / ₁₆	6 ³ / ₁₆
J	3 ¹⁵ / ₁₆	4 ⁷ / ₈	5 ⁷ / ₁₆	6 ¹ / ₂	6 ¹ / ₂	6 ¹ / ₂
L	1 ¹¹ / ₁₆	1 ¹¹ / ₁₆	7 ¹ / ₁₆	7 ¹ / ₁₆	7 ¹ / ₁₆	7 ¹ / ₁₆
M	1	1 ¹ / ₈	1 ¹ / ₈	1 ⁵ / ₁₆	1 ⁵ / ₁₆	1 ⁵ / ₁₆
P	6 ⁵ / ₈	6 ⁹ / ₁₆	7 ¹³ / ₁₆	7 ¹³ / ₁₆	7 ¹³ / ₁₆	7 ¹³ / ₁₆
R*	9 ⁷ / ₈	12 ⁷ / ₈	12 ⁷ / ₈	18 ⁷ / ₈	18 ⁷ / ₈	24 ⁷ / ₈
AP	9 ¹ / ₄	9 ⁹ / ₁₆	10 ¹¹ / ₁₆	11 ³ / ₁₆	11 ³ / ₁₆	12 ⁹ / ₁₆

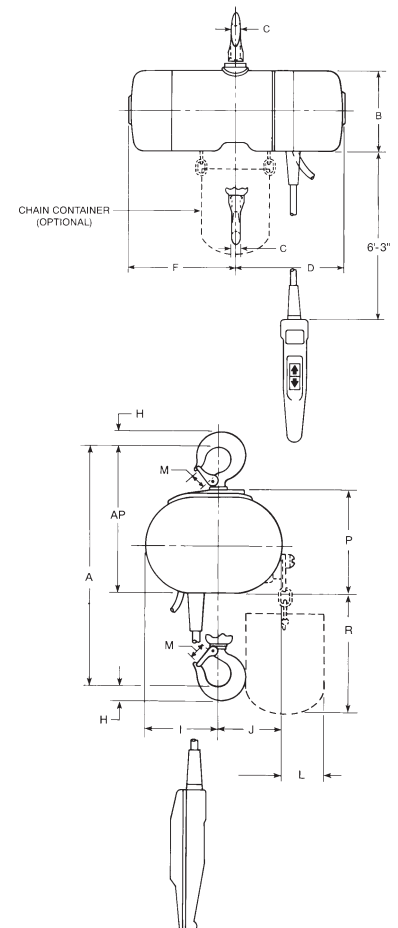
* Based on 10 ft. lift and increases proportionately with longer lifts



Suspension specifications

Type	Product code	Models
Swivel hook	2792	A-AA-B-C-F
Swivel hook	2793	E-H
Swivel hook	3661	J-L-JJ-LL
Swivel hook	3660	R-RR
Swivel hook	9557	RT-RRT
Swivel latchlok hook	2796	A-AA-B-C-F
Swivel latchlok hook	3662	J-L-JJ-LL
Swivel latchlok hook	3663	R-RR
Rigid lug for low head trolley	2778	A-AA-B-C-F
Rigid lug for low head trolley	2779	E-H
Rigid lug for low head trolley	3677	J-L-JJ-LL
Rigid lug for low head trolley	3668	R-RR
Rigid lug for low head trolley	9561	RT-RRT
Rigid hook	2788	A-AA-B-C-F
Rigid hook	2789	E-H
Rigid hook	3651	J-L-JJ-LL
Rigid hook	3658	R-RR
Rigid hook	9559	RT-RRT
Rigid latchlok hook	2790	A-AA-B-C-F
Rigid latchlok hook	3652	J-L-JJ-LL

Note: 3 ton lug suspension prevents hoist from rotating but allows hoist to articulate below trolley



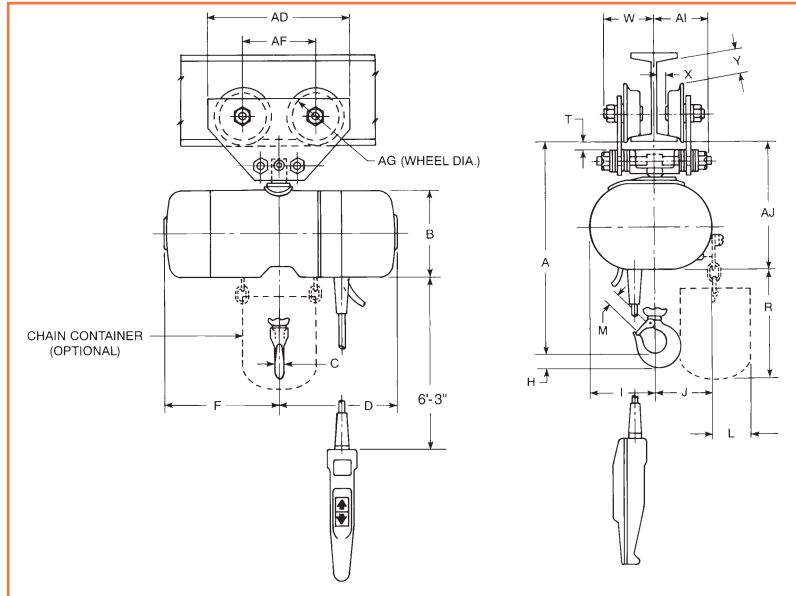
* **WARNING**

Overloading and improper use can result in injury.

To avoid injury:

- Do not exceed working load limit, load rating capacity
- Do not use to lift people or loads over people.
- use only alloy chain for overhead lifting.
- Read and follow all instructions.

Lodestar with Series 635 low headroom trolley



Clearance dimensions (in.)

Dimension	Lodestar models					
	A,B,C,F and AA	E and H	J, L, JJ and LL	R	RR	RT and RRT
A	16 ⁵ / ₁₆	19 ¹ / ₄	18 ¹ / ₄	23 ³ / ₄	23 ³ / ₄	30 ¹ / ₈
B	6 ¹ / ₈	6 ¹ / ₈	7 ⁵ / ₈	7 ⁵ / ₈	7 ⁵ / ₈	7 ⁵ / ₈
C	1 ¹ / ₁₆	7 ⁷ / ₈	7 ⁷ / ₈	1 ¹ / ₈	1 ¹ / ₈	1 ¹ / ₈
D	11	11	9 ¹ / ₂	9 ¹ / ₂	9 ¹ / ₂	9 ¹ / ₂
F	7 ³ / ₄	7 ³ / ₄	10 ¹¹ / ₁₆	10 ¹¹ / ₁₆	10 ¹¹ / ₁₆	10 ¹¹ / ₁₆
H	1	1 ³ / ₁₆	1 ³ / ₁₆	1 ¹ / ₂	1 ¹ / ₂	1 ¹ / ₂
I	4 ¹³ / ₁₆	3 ⁷ / ₈	7 ¹ / ₄	6 ³ / ₁₆	6 ³ / ₁₆	6 ³ / ₁₆
J	3 ¹⁵ / ₁₆	4 ⁷ / ₈	5 ⁷ / ₁₆	6 ¹ / ₂	6 ¹ / ₂	6 ¹ / ₂
L	1 ¹¹ / ₁₆	1 ¹¹ / ₁₆	7 ¹ / ₁₆	7 ¹ / ₁₆	7 ¹ / ₁₆	7 ¹ / ₁₆
M	1	1 ¹ / ₈	1 ¹ / ₈	1 ⁵ / ₁₆	1 ⁵ / ₁₆	1 ⁵ / ₁₆
R†	9 ⁷ / ₈	12 ⁷ / ₈	12 ⁷ / ₈	18 ⁷ / ₈	18 ⁷ / ₈	24 ⁷ / ₈
T	1 ³ / ₁₆	1 ³ / ₁₆	1 ³ / ₁₆	7 ⁷ / ₈	7 ⁷ / ₈	5 ¹ / ₁₆
W	3	3	3	3 ⁵ / ₈	3 ⁵ / ₈	4 ¹ / ₈
X	5 ¹ / ₁₆	5 ¹ / ₁₆	5 ¹ / ₁₆	1 ¹ / ₂	1 ¹ / ₂	9 ¹ / ₁₆
Y	1 ¹ / ₁₆	1 ¹ / ₁₆	1 ¹ / ₁₆	3 ¹ / ₁₆	3 ¹ / ₁₆	2 ⁵ / ₈
AD	9 ³ / ₄	9 ³ / ₄	9 ³ / ₄	13	13	12 ¹ / ₂
AF	5	5	5	6	6	6
AG	3 ¹ / ₈	3 ¹ / ₈	3 ¹ / ₈	4 ³ / ₄	4 ³ / ₄	4
AI	4 ⁵ / ₈	4 ⁵ / ₈	4 ⁵ / ₈	5	5	5 ¹ / ₂
AJ	9 ³ / ₁₆	9 ³ / ₁₆	10 ³ / ₈	10 ¹³ / ₁₆	10 ¹³ / ₁₆	13 ¹ / ₈

† Based on 10 ft. lift and increases proportionately with longer lifts

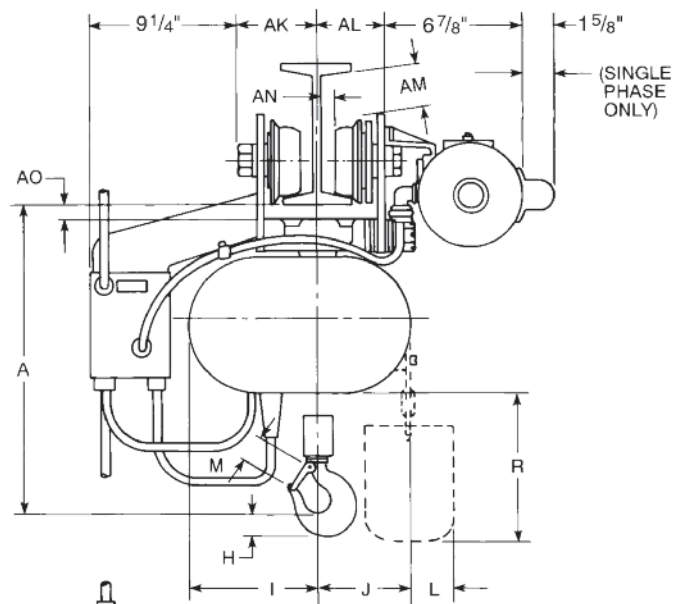
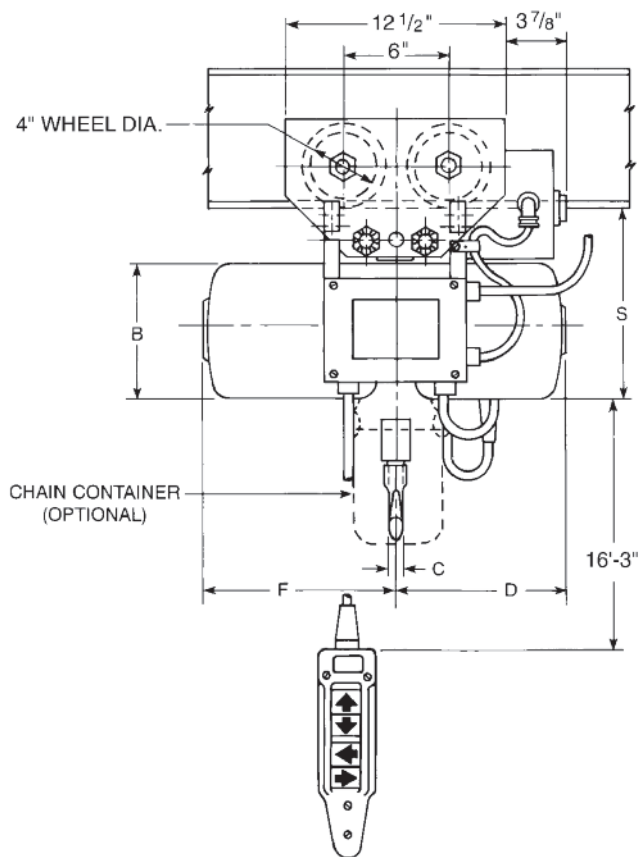
Dimensions T, W, X, Y, AI, and AJ are based on minimum beams and will vary proportionately for larger beams. 6'-3" drop of control station is for 10 foot lift hoist and increases proportionately for longer lifts.

Specifications For Series 635 Trolley

Rated capacity* (tons)	Product code	Models	Std. range of adjust. Am. standard S-beams		Tread diameter (in.)	Minimum radius curve (in.)	Approximate shipping weight (lbs.)
			Depth (in.)	Flange width (in.)			
1/8 to 1	3575	A – LL	4 – 15	2 ⁵ / ₈ – 5 ⁵ / ₈	3 ¹ / ₈	24	22
2	3569	R – RR	6 – 18	3 ³ / ₈ – 6	4 ³ / ₄	24	52
3	9576	RT – RRT	8 – 15	4 – 5 ⁵ / ₈	4 ³ / ₄	30	58

Note: Rigid lug suspension required for attaching to hoist. Apply for other than standard beam adjustment. Beam end stop omitted for picture clarity

Lodestar with Series 635 motor driven trolley



<p>* ⚠ WARNING</p>
<p>Overloading and improper use can result in injury.</p>
<p>To avoid injury:</p> <ul style="list-style-type: none"> • Do not exceed working load limit, load rating capacity • Do not use to lift people or loads over people. • use only alloy chain for overhead lifting. • Read and follow all instructions.



Lodestar with Series 635 motor driven trolley-Specifications

Clearance dimensions (in.)

Dimension	Lodestar models †					
	A,B,C,F and AA	E and H	J, L, JJ and LL	R	RR	RT and RRT
A	16 ¹³ / ₁₆	19 ³ / ₄	18 ¹ / ₂	23 ³ / ₄	23 ³ / ₄	30 ¹ / ₈
B	6 ¹ / ₈	6 ¹ / ₈	7 ⁵ / ₈	7 ⁵ / ₈	7 ⁵ / ₈	7 ⁵ / ₈
C	1 ¹ / ₁₆	7 ⁷ / ₈	7 ⁷ / ₈	1 ¹ / ₈	1 ¹ / ₈	1 ¹ / ₈
D	11	11	9 ¹ / ₂	9 ¹ / ₂	9 ¹ / ₂	9 ¹ / ₂
F	7 ³ / ₄	7 ³ / ₄	10 ¹¹ / ₁₆	10 ¹¹ / ₁₆	10 ¹¹ / ₁₆	10 ¹¹ / ₁₆
H	1	1 ³ / ₁₆	1 ³ / ₁₆	1 ¹ / ₂	1 ¹ / ₂	1 ¹ / ₂
I	4 ¹³ / ₁₆	3 ⁷ / ₈	7 ¹ / ₄	6 ³ / ₁₆	6 ³ / ₁₆	6 ³ / ₁₆
J	3 ¹⁵ / ₁₆	4 ⁷ / ₈	5 ⁷ / ₁₆	6 ¹ / ₂	6 ¹ / ₂	6 ¹ / ₂
L	1 ¹¹ / ₁₆	1 ¹¹ / ₁₆	7 ¹ / ₁₆	7 ¹ / ₁₆	7 ¹ / ₁₆	7 ¹ / ₁₆
M	1	1 ¹ / ₈	1 ¹ / ₈	1 ⁵ / ₁₆	1 ⁵ / ₁₆	1 ⁵ / ₁₆
R**	9 ⁷ / ₈	12 ⁷ / ₈	12 ⁷ / ₈	18 ⁷ / ₈	18 ⁷ / ₈	24 ⁷ / ₈
S	9 ¹¹ / ₁₆	9 ¹¹ / ₁₆	10 ⁵ / ₈	10 ¹³ / ₁₆	10 ¹³ / ₁₆	13 ¹ / ₈
AK	3 ³ / ₄	3 ³ / ₄	3 ³ / ₄	3 ³ / ₄	3 ³ / ₄	4 ¹ / ₄
AL	3 ¹ / ₄	3 ¹ / ₄	3 ¹ / ₄	3 ¹ / ₄	3 ¹ / ₄	3 ³ / ₄
AM	5 ⁵ / ₈	5 ⁵ / ₈	5 ⁵ / ₈	5 ⁵ / ₈	5 ⁵ / ₈	2 ⁵ / ₈
AN	5 ⁵ / ₁₆	5 ⁵ / ₁₆	5 ⁵ / ₁₆	5 ⁵ / ₁₆	5 ⁵ / ₁₆	9 ¹ / ₁₆
AO	7 ⁷ / ₈	7 ⁷ / ₈	7 ⁷ / ₈	7 ⁷ / ₈	7 ⁷ / ₈	1

** Based on 10 ft. lift and increases proportionately with longer lifts

Dimensions S, AK, AL, AM, and AO are based on minimum beams and will vary proportionately for larger beams. 16'-3" drop of control station is for 20 foot lift hoist.

† Note: Rigid lug suspension required for attaching to hoist.

Suspension specifications

Type	Product code	Models
Rigid lug for motor driven trolley	2992	A-AA-B-C-F
Rigid lug for motor driven trolley	2993	E-H
Rigid lug for motor driven trolley	3679	J-L-JJ-LL
Rigid lug for motor driven trolley	3668	R-RR
Rigid lug for motor driven trolley	9561	RT-RRT

Note: Beam end stop omitted for picture clarity

Specifications — motor driven trolley

Rated capacity* (tons)	Product code	For use with model	Power supply	Standard travel speed (F.P.M.)	Motor H.P.	Std. range of adj. Am. std. S-beams		Minimum radius curve (in.)	Approx. shipping weight (lbs.)
						Depth (in.)	Flange width (in.)		
1/8 - 2	3670	A-RR	115-1-60	75	1/4	6 - 15	3 ³ / ₈ - 5 ⁵ / ₈	30	118
1/8 - 2	3671	A-RR	230-3-60	75	1/4	6 - 15	3 ³ / ₈ - 5 ⁵ / ₈	30	118
1/8 - 2	3672	A-RR	460-3-60	75	1/4	6 - 15	3 ³ / ₈ - 5 ⁵ / ₈	30	118
3	9577	RT-RRT	115-1-60	75	1/4	8 - 15	4 - 5 ⁵ / ₈	30	120
3	9578	RT-RRT	230-3-60	75	1/4	8 - 15	4 - 5 ⁵ / ₈	30	120
3	9579	RT-RRT	460-3-60	75	1/4	8 - 15	4 - 5 ⁵ / ₈	30	120
1/8 - 2	9315	A-RR	115-1-60	30	1/4	6 - 15	3 ³ / ₈ - 5 ⁵ / ₈	30	113
1/8 - 2	9316	A-RR	230-3-60	30	1/4	6 - 15	3 ³ / ₈ - 5 ⁵ / ₈	30	113
1/8 - 2	9317	A-RR	460-3-60	30	1/4	6 - 15	3 ³ / ₈ - 5 ⁵ / ₈	30	113
3	9318	RT-RRT	115-1-60	30	1/4	8 - 15	4 - 5 ⁵ / ₈	30	120
3	9319	RT-RRT	230-3-60	30	1/4	8 - 15	4 - 5 ⁵ / ₈	30	120
3	9320	RT-RRT	460-3-60	30	1/4	8 - 15	4 - 5 ⁵ / ₈	30	120

Can be modified to fit larger beams.
Flat tread wheel available.
Beam size and voltage required for ordering.

Apply for other than standard travel speeds.



Metal chain container

Made in U.S.A.

CM Lodestar chain containers complete

Maximum length of lift (ft.)

Product code	†Bucket length (in)	Bucket diameter (in)	Approx. shipping wgt. (lbs.)	Models A,AA,B C&F	Models E&H	Models J,JJ,L&LL	Models R & RR	Models RT & RRT
2450	8	5	4	10	–	–	–	–
2451	11	5	5	20	10	10	–	–
2452	14	5	5	30	15	15	–	–
2453	17	5	6	40	20	20	10	–
2454	20	5	7	50	25	25	–	–
2455	23	5	7	60	30	30	15	10
2456	31	5	9	90	45	40	20	–
2457	36	5	10	100	50	60	30	20
2458	48	5	13	140	*70	90	45	30
2461	10	10	13	44	22	20	14	9
2463	15	10	15	104	52	66	33	2210
2464	20	10	17	166	83	106	53	35
2465	25	10	20	230	115	144	72	48
2466	30	10	23	290	145	150	90	60

- Convenient for slack chain storage
- Simple one pin attachment for easy installation
- Security cable included
- Available for every Lodestar and Valustar model
- Made in U.S.A.

For lifts greater than listed (special)...apply.

† Advise if bucket length causes headroom problems, larger diameter shorter length buckets available.

* E & H limit switch maximum is 60 ft.

When ordering, specify code number(s), model, capacity, beam size, power supply, suspension, lift, extra control cord or power cord (if required) and type of electrification (if required).

Fabric chain bag

CM's chain bags offer an alternative to the standard metal chain container for use with Lodestar or Valustar electric chain hoists. Chain bags are made from an open weave vinyl coated polyester designed especially for extended outdoor life. Not recommended for applications over 300°F, in extremely caustic environments or for chain weight exceeding 300 lbs. Features include:

- Flexible and lightweight material
- Dampens noise
- Will not hold water
- Excellent resistance to ultraviolet rays, mildew stains, rot and weather
- Moisture resistant - quick drying
- High tensile and tear strength
- Abrasion resistant
- No shrinkage
- Bags and brackets are suitable for chain weights up to 300 pounds
- Made in U.S.A.



Specifications

Product code	Maximum length of lift (ft.)					Bag size (in.)	Bag height (in.)	Approx. weight (lbs.)
	Models A-AA-B-C-F WB-WF	Models E-H WH-WE	Models J,JJ,L,LL WL-WJ	Models R,RR WR	Models RT,RRT			
2470	20	10	–	–	–	7½ x 7½	7	3
2471	40	20	–	–	–	7½ x 7½	10	3
2472	60	30	–	–	–	7½ x 7½	13	3
2473	90	45	–	–	–	7½ x 7½	16	4
2474	100	60	–	–	–	7½ x 7½	18	4
2475	140	90	–	–	–	7½ x 7½	20	4
2476	–	–	10	–	–	7½ x 7½	7	3
2477	–	–	20	10	–	7½ x 7½	10	3
2478	–	–	30	15	10	7½ x 7½	13	3
2479	–	–	45	20	–	7½ x 7½	16	4
2480	–	–	60	30	20	7½ x 7½	18	4
2481	–	–	90	45	30	7½ x 7½	20	4