

# Lodestar Air XL Pneumatic Chain Hoist

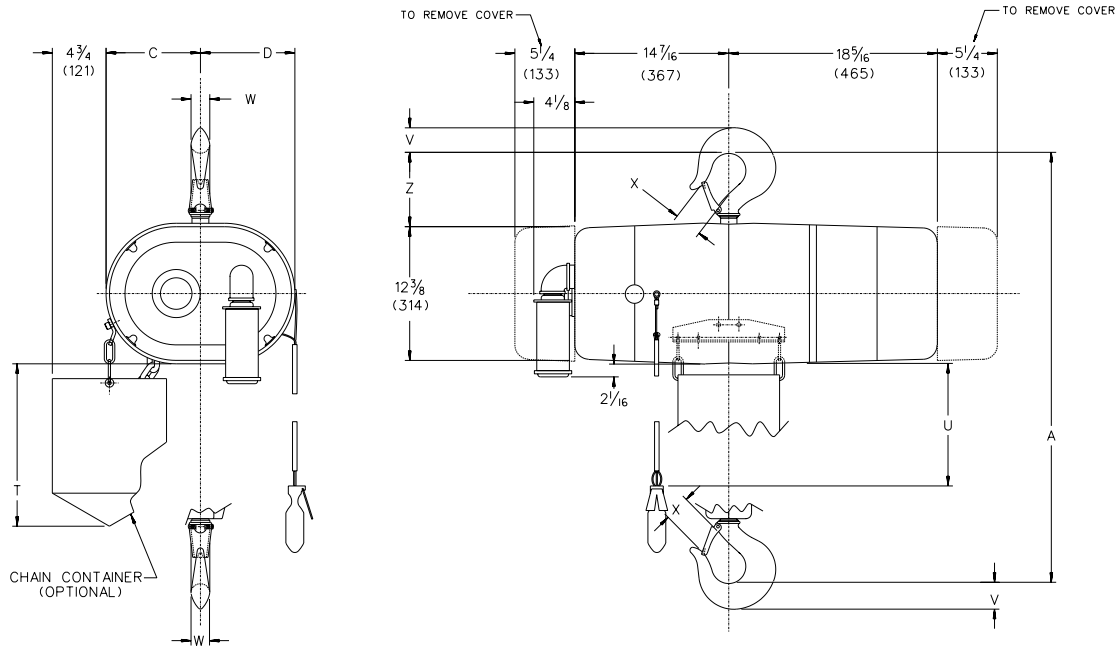


Columbus McKinnon introduces a new line of Lodestar Air XL chain hoists for lifting applications from 2 to 7<sup>1</sup>/<sub>2</sub> tons. The offering provides heavy-duty hoists featuring variable speeds and higher capacities than traditional air chain hoists. Workers in automotive plants, heavy equipment manufacturing, chemical plants, refineries, and related rugged work environments will experience the same dependability and versatility that they have relied on from CM products for many years.

## The features of the Lodestar Air XL Chain Hoist includes:

- Lifting capacities up to 7<sup>1</sup>/<sub>2</sub> tons
- Variable lifting speeds
- Maximum lifting speed of 31 feet per minute
- Forged ten-pocket oblique-lay liftwheel for smooth chain operation, constant chain speed, and reduced chain wear
- Standard overload protector
- Clutch acts as upper and lower limits
- Six-vane rotary air motor
- Pendant controls provide precise load spotting
- Air actuated motor brake for positive load control
- Factory tested at 125% of rated capacity
- Spark resistant models available
- Lifetime warranty
- Made in U.S.A.
- Standard Lift: 10 ft.
- Air inlet size: 1" NPT
- Air supply hose size: 1" I.D. min.
- Consumption: 175 CFM at 90 PSI
- Exhaust: 1 1/4" NPT

# Lodestar Air XL with Hook Suspension-Specifications



## Clearance Dimensions (inches)\*\*

Dimensions	Single Reeved 2 ton capacity	Double Reeved 3-5 ton capacity	Triple Reeved 6 ton capacity
A	25	35 <sup>5</sup> / <sub>16</sub>	36 <sup>3</sup> / <sub>16</sub>
C	8 <sup>7</sup> / <sub>16</sub>	11 <sup>3</sup> / <sub>8</sub>	11 <sup>3</sup> / <sub>8</sub>
D	8 <sup>1</sup> / <sub>8</sub>	5 <sup>1</sup> / <sub>2</sub>	5 <sup>1</sup> / <sub>2</sub>
T (based on 10 ft. lift)	14 <sup>3</sup> / <sub>16</sub>	14 <sup>3</sup> / <sub>16</sub>	14 <sup>3</sup> / <sub>16</sub>
U (based on 10 ft. lift)	6'- 3"	6'- 3"	6'- 3"
V	1 <sup>1</sup> / <sub>2</sub>	2 <sup>1</sup> / <sub>4</sub>	2 <sup>1</sup> / <sub>4</sub>
W	1 <sup>1</sup> / <sub>8</sub>	1 <sup>5</sup> / <sub>8</sub>	1 <sup>5</sup> / <sub>8</sub>
X	1 <sup>5</sup> / <sub>16</sub>	2 <sup>1</sup> / <sub>16</sub>	2 <sup>1</sup> / <sub>16</sub>
Z	4 <sup>1</sup> / <sub>8</sub>	5 <sup>1</sup> / <sub>2</sub>	5 <sup>1</sup> / <sub>2</sub>
Weight (lbs.)	347	421	453
Lifting Speed (FPM)	31	21/13	10

\*\*Dimensions listed are for minimum size "S" beam.

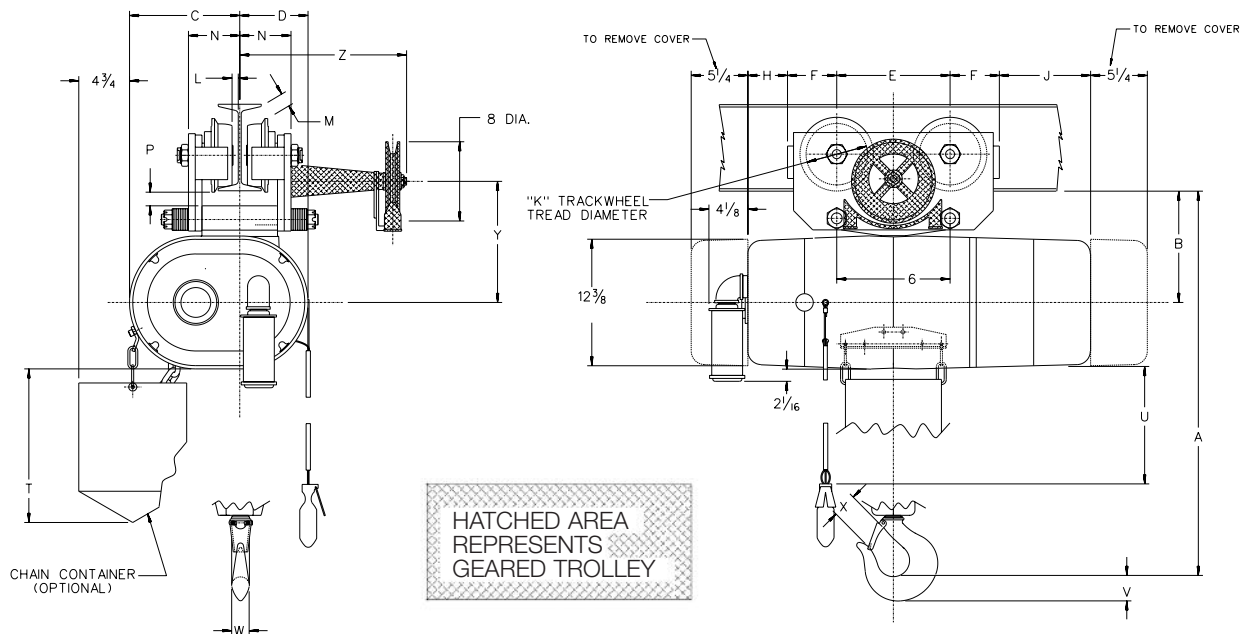
### CM<sup>®</sup> Repair/Replacement Policy

All Hoists are thoroughly inspected and performance tested prior to shipment. If any properly maintained CM Hoist develops a performance problem due to a material or workmanship defect, as verified by Columbus McKinnon, repair or replacement of the hoist will be made to the original purchaser without charge. This repair/replacement policy applies only to Hoists installed, maintained and operated as outlined in the applicable accompanying CM Hoist Manual, and specifically excludes normal wear, abuse, improper installation, improper or inadequate maintenance, hostile environmental effects, and unauthorized repairs/modifications.

### ANSI/OSHA

CM hoists are manufactured in accordance with our interpretation of the ASME/ANSI Code B30.16 for Overhead Hoists and U.S. Occupational Safety and Health Act regulations at the time of manufacture. Users should check each installation for compliance with the application, operation and maintenance requirements of these regulations and standards.

# Lodestar Air XL with plain trolley and geared trolley-Specifications



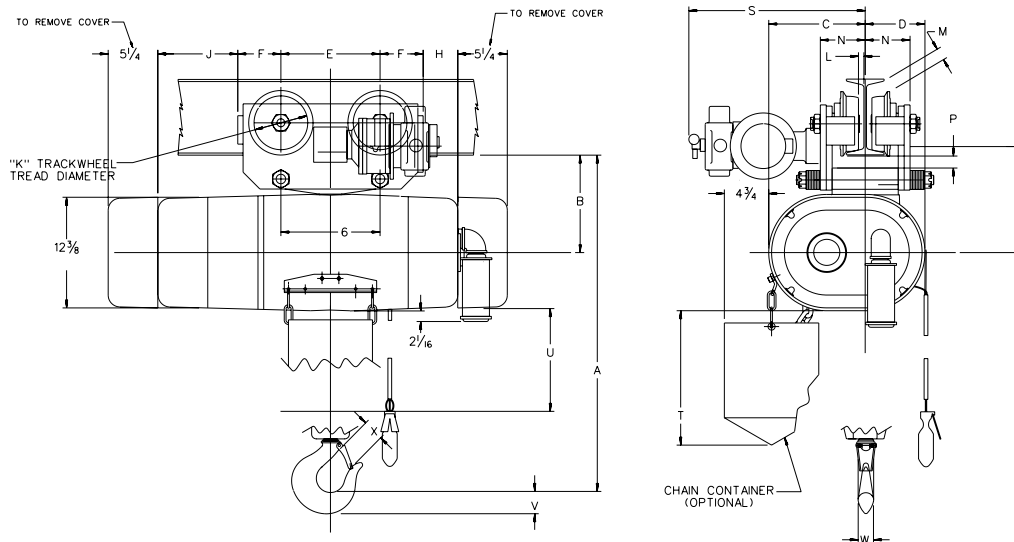
## Clearance Dimensions (inches)\*\*

Dimensions	Single Reeved	Double Reeved		Triple Reeved
	2 ton capacity	3 ton capacity	5 ton capacity	6 & 7½ ton capacity
A	28 <sup>11</sup> / <sub>16</sub>	33½	33 <sup>3</sup> / <sub>4</sub>	34 <sup>5</sup> / <sub>8</sub>
B	9 <sup>3</sup> / <sub>4</sub>	10 <sup>7</sup> / <sub>16</sub>	10 <sup>11</sup> / <sub>16</sub>	10 <sup>1</sup> / <sub>16</sub>
C	8 <sup>7</sup> / <sub>16</sub>	11 <sup>3</sup> / <sub>8</sub>	11 <sup>3</sup> / <sub>8</sub>	11 <sup>3</sup> / <sub>8</sub>
D	8 <sup>3</sup> / <sub>8</sub>	5½	5½	5½
E	9½	9 <sup>1</sup> / <sub>8</sub>	12	12
F	3½	3¼	4 <sup>13</sup> / <sub>16</sub>	4 <sup>13</sup> / <sub>16</sub>
H	5¼	5 <sup>11</sup> / <sub>16</sub>	2 <sup>11</sup> / <sub>16</sub>	2 <sup>11</sup> / <sub>16</sub>
J	10 <sup>1</sup> / <sub>16</sub>	10½	7½	7½
K	4 <sup>11</sup> / <sub>16</sub>	4	6½	6½
L	½	5 <sup>5</sup> / <sub>8</sub>	5 <sup>5</sup> / <sub>8</sub>	5 <sup>5</sup> / <sub>8</sub>
M	½	2 <sup>11</sup> / <sub>16</sub>	0	0
N	5	3 <sup>5</sup> / <sub>8</sub>	3 <sup>7</sup> / <sub>8</sub>	3 <sup>7</sup> / <sub>8</sub>
P	1¼	3 <sup>3</sup> / <sub>8</sub>	7 <sup>1</sup> / <sub>16</sub>	7 <sup>1</sup> / <sub>16</sub>
T (based on 10 ft. lift)	14 <sup>3</sup> / <sub>16</sub>	14 <sup>3</sup> / <sub>16</sub>	14 <sup>3</sup> / <sub>16</sub>	14 <sup>3</sup> / <sub>16</sub>
U (based on 10 ft. lift)	6' - 3"	6' - 3"	6' - 3"	6' - 3"
V	1½	2¼	2¼	2¼
W	1 <sup>1</sup> / <sub>8</sub>	1 <sup>5</sup> / <sub>8</sub>	1 <sup>5</sup> / <sub>8</sub>	1 <sup>5</sup> / <sub>8</sub>
X	1 <sup>5</sup> / <sub>16</sub>	2 <sup>1</sup> / <sub>16</sub>	2 <sup>1</sup> / <sub>16</sub>	2 <sup>1</sup> / <sub>16</sub>
Y*	11 <sup>5</sup> / <sub>16</sub>	12 <sup>7</sup> / <sub>8</sub>	11 <sup>1</sup> / <sub>8</sub>	11 <sup>1</sup> / <sub>8</sub>
Z*	—	19 <sup>1</sup> / <sub>8</sub>	19 <sup>1</sup> / <sub>8</sub>	19 <sup>1</sup> / <sub>8</sub>
Weight (lbs.)-Plain Trolley	407	476	576	608
Weight (lbs.)-Geared Trolley	452	491	586	618
Minimum Radius Curve (ft.)	4	4	6	6
Standard Beam Flange Adj. Range (in.)	3.33-5.55	4.00-6.25	4.00-6.25	4.00-6.25
Lifting Speed (FPM)	31	21	13	10/9

\*Geared Trolley Dimensions Only

\*\*Dimensions listed are for minimum size "S" beam.

# Lodestar Air XL with Motor Driven Trolley-Specifications



Clearance Dimensions (inches)\*\*

Dimensions	Double Reeved		Triple Reeved	
	2 ton capacity	3 ton capacity	5 ton capacity	6 & 7 1/2 ton capacity
A	33 1/2	33 1/2	33 3/4	34 5/8
B	10 7/16	10 7/16	10 11/16	10 11/16
C	9 5/16	11 3/8	11 3/8	11 3/8
D	7 9/16	5 1/2	5 1/2	5 1/2
E	9 1/8	9 1/8	12	12
F	3 1/4	3 1/4	4 13/16	4 13/16
H	5 11/16	5 11/16	2 11/16	2 11/16
J	10 1/2	10 1/2	7 1/2	7 1/2
K	4	4	6 1/2	6 1/2
L	5/8	5/8	5/8	5/8
M	2 11/16	2 11/16	0	0
N	3 5/8	3 5/8	3 7/8	3 7/8
P	3/8	3/8	7/16	7/16
S	15 15/16	15 15/16	17 3/4	17 3/4
T (based on 10 ft. lift)	14 3/16	14 3/16	14 3/16	14 3/16
U (based on 10 ft. lift)	6'- 3"	6'- 3"	6'- 3"	6'- 3"
V	2 1/4	2 1/4	2 1/4	2 1/4
W	1 5/8	1 5/8	1 5/8	1 5/8
X	2 1/16	2 1/16	2 1/16	2 1/16
Minimum Radius Curve (ft.)	4	4	6	6
Weight (lbs.)	505	569	611	643
Standard Beam Flange Adj. Range (in.)	4.00-6.25	4.00-6.25	4.00-6.25	4.00-6.25
Trolley Speed (ft./min) Standard Single Speed	50	50	50	50
Lifting Speeds	31	21	13	10/9

\*\*Dimensions listed are for minimum size "S" beam.

## WARNING

Failure to properly install, operate and maintain the Lodestar Air XL Hoist may result in injury and/or property damage.

### TO AVOID INJURY:

- Installation, maintenance and operation must be carried out as instructed in the manual provided with the Lodestar Air XL Hoist.
- Do not use the Lodestar Air XL Hoist for lifting people; special equipment is required for this purpose. Refer to ASME/ANSI A-17 Series and applicable state and local codes for specific requirements.