



SERIES 602 & 603

MINI RATCHET LEVER HOISTS

SERIES 602 WORKING LOAD LIMIT: 550 LBS.
SERIES 603 WORKING LOAD LIMIT: 1,100 LBS.

The CM Series 602 & 603 Mini-Ratchet Lever Hoists are the most compact ratchet lever hoists on the market. They perform just like the larger models, but can be easily transported and stored in a toolbox.

BENEFITS & FEATURES

- Plated load chain is standard.
- Weston-type load brake.
- Rubber hand grip for better comfort and security.
- Lightweight design for easy portability. Use in confined spaces with one-hand operation.
- Forged upper and lower hooks with latches standard.
- Impact-resistant, all-steel frame, gear case and cover.
- Hardened link-type alloy steel load chain for strength and long wear.
- Free wheeling feature allows for quick load attachment.
- Metric rated.



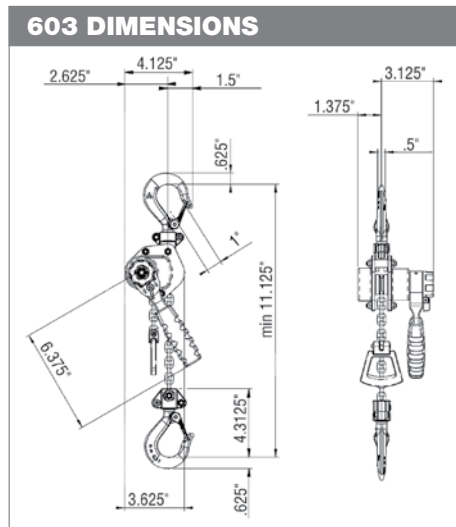
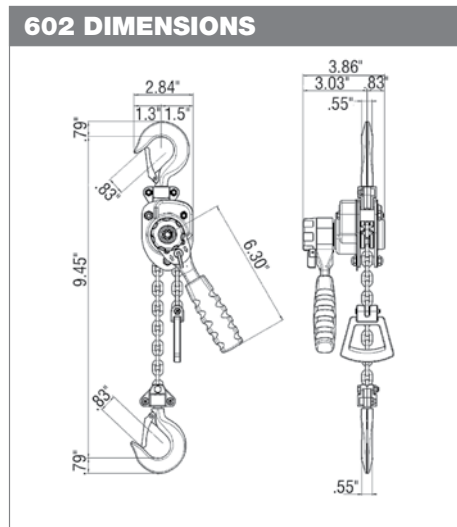
SERIES 602

SERIES 603

| Product Code | Model Number | Rated Capacity | | Lift (ft.) | Number of Chainfalls | Minimum Distance Between Hooks (in.) | Lift with One Full Lever Turn (in.) | Handle Length (in.) | Handle Pull @ W.L.L. (lbs.) | Weight (lbs.) |
|--------------|----------------------|----------------|-----|------------|----------------------|--------------------------------------|-------------------------------------|---------------------|-----------------------------|---------------|
| | | lbs. | kg. | | | | | | | |
| 0210 | Series 602 | 550 | 250 | 5 | 1 | 9.45 | 3.15 | 6.300 | 56 | 6.0 |
| 0214 | Series 602 | 550 | 250 | 10 | 1 | 9.45 | 3.15 | 6.300 | 56 | 7.0 |
| 0212 | Series 602 Carry Bag | - | - | - | - | - | - | - | - | 0.3 |
| 0215 | Series 603 | 1,100 | 500 | 5 | 1 | 11.125 | 1.57 | 6.375 | 78 | 7.0 |
| 0216 | Series 603 | 1,100 | 500 | 10 | 1 | 11.125 | 1.57 | 6.375 | 78 | 8.0 |
| 0217 | Series 603 Carry Bag | - | - | - | - | - | - | - | - | 0.3 |



Perform just like larger hoists, but small enough to fit in the palm of your hand.



Convenient Carry Bag



USA: Ph: (800) 888.0985 • (716) 689.5400 • Fax: (716) 689.5644

CANADA: Ph: (877) 264.6478 • Fax: (877) 264.6477



www.cmworks.com