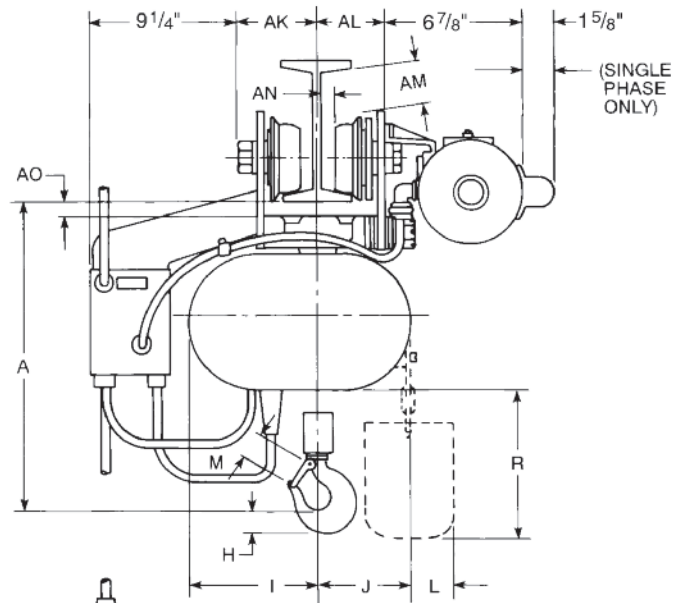
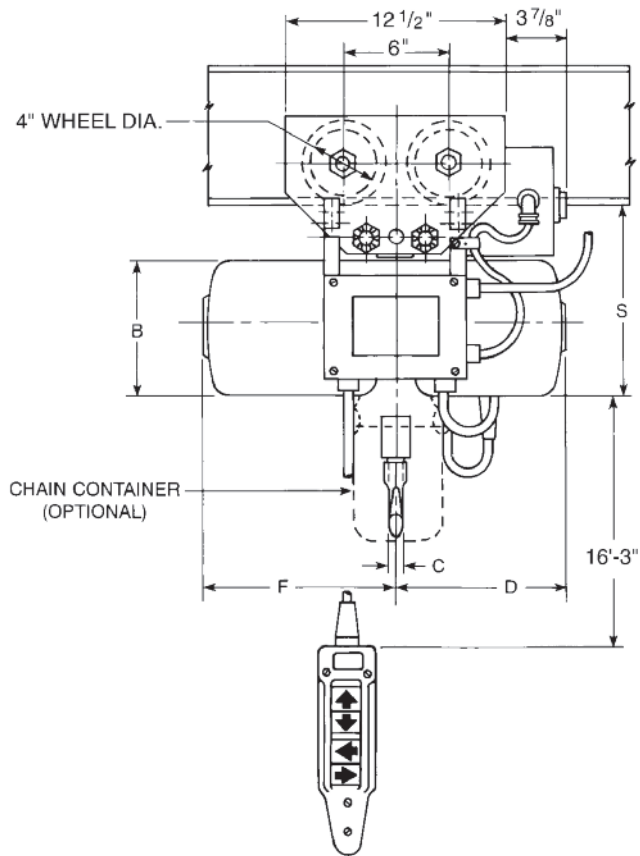


# Lodestar with Series 635 motor driven trolley



**\* ⚠ WARNING**

Overloading and improper use can result in injury.

**To avoid injury:**

- Do not exceed working load limit, load rating capacity
- Do not use to lift people or loads over people.
- use only alloy chain for overhead lifting.
- Read and follow all instructions.



# Lodestar with Series 635 motor driven trolley-Specifications

## Clearance dimensions (in.)

Dimension	Lodestar models †					
	A,B,C,F and AA	E and H	J, L, JJ and LL	R	RR	RT and RRT
A	16 <sup>13</sup> / <sub>16</sub>	19 <sup>3</sup> / <sub>4</sub>	18 <sup>1</sup> / <sub>2</sub>	23 <sup>3</sup> / <sub>4</sub>	23 <sup>3</sup> / <sub>4</sub>	30 <sup>1</sup> / <sub>8</sub>
B	6 <sup>1</sup> / <sub>8</sub>	6 <sup>1</sup> / <sub>8</sub>	7 <sup>5</sup> / <sub>8</sub>	7 <sup>5</sup> / <sub>8</sub>	7 <sup>5</sup> / <sub>8</sub>	7 <sup>5</sup> / <sub>8</sub>
C	1 <sup>1</sup> / <sub>16</sub>	7 <sup>7</sup> / <sub>8</sub>	7 <sup>7</sup> / <sub>8</sub>	1 <sup>1</sup> / <sub>8</sub>	1 <sup>1</sup> / <sub>8</sub>	1 <sup>1</sup> / <sub>8</sub>
D	11	11	9 <sup>1</sup> / <sub>2</sub>	9 <sup>1</sup> / <sub>2</sub>	9 <sup>1</sup> / <sub>2</sub>	9 <sup>1</sup> / <sub>2</sub>
F	7 <sup>3</sup> / <sub>4</sub>	7 <sup>3</sup> / <sub>4</sub>	10 <sup>11</sup> / <sub>16</sub>	10 <sup>11</sup> / <sub>16</sub>	10 <sup>11</sup> / <sub>16</sub>	10 <sup>11</sup> / <sub>16</sub>
H	1	1 <sup>3</sup> / <sub>16</sub>	1 <sup>3</sup> / <sub>16</sub>	1 <sup>1</sup> / <sub>2</sub>	1 <sup>1</sup> / <sub>2</sub>	1 <sup>1</sup> / <sub>2</sub>
I	4 <sup>13</sup> / <sub>16</sub>	3 <sup>7</sup> / <sub>8</sub>	7 <sup>1</sup> / <sub>4</sub>	6 <sup>3</sup> / <sub>16</sub>	6 <sup>3</sup> / <sub>16</sub>	6 <sup>3</sup> / <sub>16</sub>
J	3 <sup>15</sup> / <sub>16</sub>	4 <sup>7</sup> / <sub>8</sub>	5 <sup>7</sup> / <sub>16</sub>	6 <sup>1</sup> / <sub>2</sub>	6 <sup>1</sup> / <sub>2</sub>	6 <sup>1</sup> / <sub>2</sub>
L	1 <sup>11</sup> / <sub>16</sub>	1 <sup>11</sup> / <sub>16</sub>	7 <sup>1</sup> / <sub>16</sub>	7 <sup>1</sup> / <sub>16</sub>	7 <sup>1</sup> / <sub>16</sub>	7 <sup>1</sup> / <sub>16</sub>
M	1	1 <sup>1</sup> / <sub>8</sub>	1 <sup>1</sup> / <sub>8</sub>	1 <sup>5</sup> / <sub>16</sub>	1 <sup>5</sup> / <sub>16</sub>	1 <sup>5</sup> / <sub>16</sub>
R**	9 <sup>7</sup> / <sub>8</sub>	12 <sup>7</sup> / <sub>8</sub>	12 <sup>7</sup> / <sub>8</sub>	18 <sup>7</sup> / <sub>8</sub>	18 <sup>7</sup> / <sub>8</sub>	24 <sup>7</sup> / <sub>8</sub>
S	9 <sup>11</sup> / <sub>16</sub>	9 <sup>11</sup> / <sub>16</sub>	10 <sup>5</sup> / <sub>8</sub>	10 <sup>13</sup> / <sub>16</sub>	10 <sup>13</sup> / <sub>16</sub>	13 <sup>1</sup> / <sub>8</sub>
AK	3 <sup>3</sup> / <sub>4</sub>	3 <sup>3</sup> / <sub>4</sub>	3 <sup>3</sup> / <sub>4</sub>	3 <sup>3</sup> / <sub>4</sub>	3 <sup>3</sup> / <sub>4</sub>	4 <sup>1</sup> / <sub>4</sub>
AL	3 <sup>1</sup> / <sub>4</sub>	3 <sup>1</sup> / <sub>4</sub>	3 <sup>1</sup> / <sub>4</sub>	3 <sup>1</sup> / <sub>4</sub>	3 <sup>1</sup> / <sub>4</sub>	3 <sup>3</sup> / <sub>4</sub>
AM	5 <sup>5</sup> / <sub>8</sub>	5 <sup>5</sup> / <sub>8</sub>	5 <sup>5</sup> / <sub>8</sub>	5 <sup>5</sup> / <sub>8</sub>	5 <sup>5</sup> / <sub>8</sub>	2 <sup>5</sup> / <sub>8</sub>
AN	5 <sup>5</sup> / <sub>16</sub>	5 <sup>5</sup> / <sub>16</sub>	5 <sup>5</sup> / <sub>16</sub>	5 <sup>5</sup> / <sub>16</sub>	5 <sup>5</sup> / <sub>16</sub>	9 <sup>1</sup> / <sub>16</sub>
AO	7 <sup>7</sup> / <sub>8</sub>	7 <sup>7</sup> / <sub>8</sub>	7 <sup>7</sup> / <sub>8</sub>	7 <sup>7</sup> / <sub>8</sub>	7 <sup>7</sup> / <sub>8</sub>	1

\*\* Based on 10 ft. lift and increases proportionately with longer lifts

Dimensions S, AK, AL, AM, and AO are based on minimum beams and will vary proportionately for larger beams. 16'-3" drop of control station is for 20 foot lift hoist.

† Note: Rigid lug suspension required for attaching to hoist.

## Suspension specifications

Type	Product code	Models
Rigid lug for motor driven trolley	2992	A-AA-B-C-F
Rigid lug for motor driven trolley	2993	E-H
Rigid lug for motor driven trolley	3679	J-L-JJ-LL
Rigid lug for motor driven trolley	3668	R-RR
Rigid lug for motor driven trolley	9561	RT-RRT

Note: Beam end stop omitted for picture clarity

## Specifications — motor driven trolley

Rated capacity* (tons)	Product code	For use with model	Power supply	Standard travel speed (F.P.M.)	Motor H.P.	Std. range of adj. Am. std. S-beams		Minimum radius curve (in.)	Approx. shipping weight (lbs.)
						Depth (in.)	Flange width (in.)		
1/8 - 2	3670	A-RR	115-1-60	75	1/4	6 - 15	3 <sup>3</sup> / <sub>8</sub> - 5 <sup>5</sup> / <sub>8</sub>	30	118
1/8 - 2	3671	A-RR	230-3-60	75	1/4	6 - 15	3 <sup>3</sup> / <sub>8</sub> - 5 <sup>5</sup> / <sub>8</sub>	30	118
1/8 - 2	3672	A-RR	460-3-60	75	1/4	6 - 15	3 <sup>3</sup> / <sub>8</sub> - 5 <sup>5</sup> / <sub>8</sub>	30	118
3	9577	RT-RRT	115-1-60	75	1/4	8 - 15	4 - 5 <sup>5</sup> / <sub>8</sub>	30	120
3	9578	RT-RRT	230-3-60	75	1/4	8 - 15	4 - 5 <sup>5</sup> / <sub>8</sub>	30	120
3	9579	RT-RRT	460-3-60	75	1/4	8 - 15	4 - 5 <sup>5</sup> / <sub>8</sub>	30	120
1/8 - 2	9315	A-RR	115-1-60	30	1/4	6 - 15	3 <sup>3</sup> / <sub>8</sub> - 5 <sup>5</sup> / <sub>8</sub>	30	113
1/8 - 2	9316	A-RR	230-3-60	30	1/4	6 - 15	3 <sup>3</sup> / <sub>8</sub> - 5 <sup>5</sup> / <sub>8</sub>	30	113
1/8 - 2	9317	A-RR	460-3-60	30	1/4	6 - 15	3 <sup>3</sup> / <sub>8</sub> - 5 <sup>5</sup> / <sub>8</sub>	30	113
3	9318	RT-RRT	115-1-60	30	1/4	8 - 15	4 - 5 <sup>5</sup> / <sub>8</sub>	30	120
3	9319	RT-RRT	230-3-60	30	1/4	8 - 15	4 - 5 <sup>5</sup> / <sub>8</sub>	30	120
3	9320	RT-RRT	460-3-60	30	1/4	8 - 15	4 - 5 <sup>5</sup> / <sub>8</sub>	30	120

Can be modified to fit larger beams.  
Flat tread wheel available.  
Beam size and voltage required for ordering.

Apply for other than standard travel speeds.

