

YALE HAND CHAIN HOISTS



**OVER 100 YEARS
OF INDUSTRIAL LIFTING EXPERIENCE**



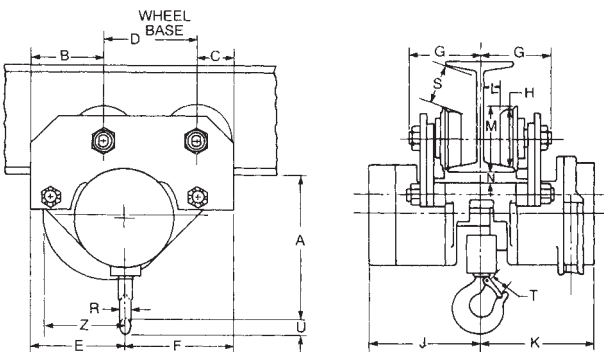
Yale Load King Low Headroom Trolley Hoist

Capacity range: 1/2–6 ton

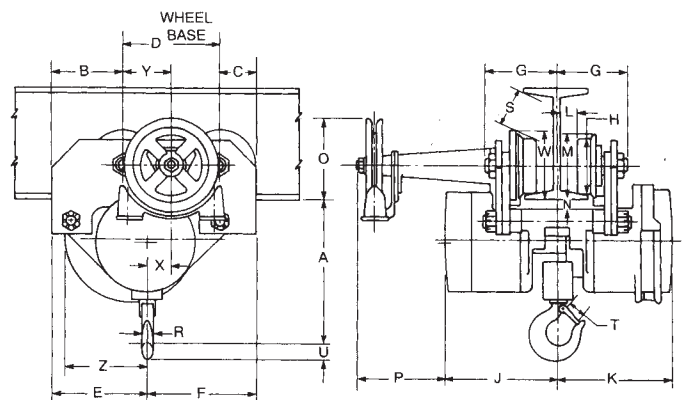


Hoist and trolley all in one unit for low headroom applications features:

- Crowned tread and flanged wheels to minimize rolling friction
- Simple, efficient design
- Reduced headroom, side clearances and end approach for easy maneuvering of loads in tight places
- Plain trolley mounts in capacities from 1/2 to 6 tons
- Geared trolley mounts in capacities from 1 1/2 to 6 tons
- Standard hand chain drop 2 feet less than lift (example: 8 foot lift hoist has 6 foot hand chain drop)
- Chain containers, zinc-plated load and hand chain, aluminum unwelded hand chain, Latchlok hooks, bronze hooks, bullard hooks, larger beam trolleys, trolley guards and units without Load Limiter optional, depending on capacity
- Standard Load Limiter/automatic overload protection
- Lifetime warranty
- Metric rated
- Made in U.S.A.



Plain trolley



Geared trolley

Specifications

Rated Capacity* (Tons)	Product Code		Standard Lift (ft.)	Reeving	American Standard depth (in.) ††	Beam Adjustment Ranges Flange Width (in.) ††	Chain Pull to Lift Full Load Foot (lbs.)	Chain Overhauled to Lift Load One Foot (ft.)	Minimum Headroom (in.)	Minimum Radius Curve (in.)	Shipping Weight (lbs.)	
	Plain Trolley	Geared Trolley									Plain Trolley	Geared Trolley
1/2	926-03400	—	8	1	6-12 ***	3 3/8-5	46	22 1/2	8 7/8	36	88	—
1	926-05400	—	8	1	6-12 ***	3 3/8-5	69	30	9 1/4	36	93	—
1 1/2	926-06400	926-06500	8	1	7-15 ***	3 3/8-5 1/2	80	40 1/2	12 1/2	48	186	210
2	926-07400	926-07500	8	1	7-15 †	3 3/8-5 1/2	83	52	12 1/2	48	186	216
3	926-09400	926-09500	8	2	7-15 †	3 3/8-5 1/2	85	81	14 1/8	48	203	233
4	926-11400	926-11500	8	2	8-24 †	4-7	88	104	16 3/4	96	308	372
5	926-13400	926-13500	8	3	8-24 †	4-7	75	156	18 1/4	96	328	370
6	926-14400	926-14500	8	3	8-24 †	4-7	90	156	18 3/4	96	333	375

** 1/2 and 1 ton also available for 4" and 5" S-beam, and 1 1/2 and 2 ton for 6" S-beam without extra charge

† Universal tread trackwheels designed to operate on either sloped or flat flange beams, rails, or tracks

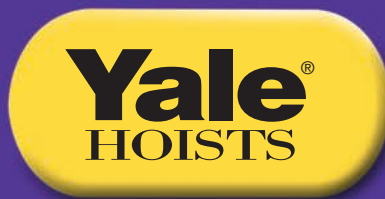
Also can be used on flat flange beams withing the same range of flange widths, provided beam depth will accommodate wheel diameter (check clearance diagram).

†† Applies to minimum size S-beam within adjustability range

Clearance Dimensions (in.)

Dimension	Rated Capacity* (tons)						
	1/2	1	1 1/2 & 2	3	4	5	6
A	8 7/8	9 1/4	12 1/2	14 1/8	16 3/4	18 1/4	18 3/4
B	3 3/8	3 3/8	6	6	7 3/8	7 3/8	7 3/8
C	3 3/8	3 3/8	3 1/8	3 1/8	4	4	4
D	6 1/2	6 1/2	7 3/4	7 3/4	9	9	9
E	6 7/8	6 3/4	7 5/8	10 1/2	11	11 7/8	11 7/8
F	6 3/4	6 7/8	9 1/4	6 3/8	9 3/8	8 1/2	8 1/2
G	3 3/4	3 3/4	5 1/8	5 1/8	5 7/8	5 7/8	5 7/8
H	4 3/4	4 3/4	4 5/8	4 5/8	5 7/8	5 7/8	5 7/8
J	6	6	9 5/16	9 5/16	10 9/16	10 9/16	10 9/16
K	8 1/8	8 1/8	9 5/8	9 5/8	11	11	11
L	1/2	1/2	1/2	1/2	1/2	1/2	1/2
M	5 7/16	5 7/16	5 3/8	5 3/8	6 3/4	6 3/4	6 3/4
N	1	1	1	1	1 1/8	1 1/8	1 1/8
O	—	—	6 3/4	6 3/4	6 1/2	6 1/2	6 1/2
P	—	—	4 7/8	4 7/8	4 1/4	4 1/4	4 1/4
R	1 1/16	1 3/16	1 1/8	1 1/4	1 1/4	1 1/4	1 3/8
S	5/16	5/16	1 3/8	1 3/8	1 1/16	1 1/16	1 1/16
T	1 1/32	1 1/8	1 5/16	1 5/8	1 5/8	1 5/8	1 3/4
U	1 5/16	1 1/8	1 1/2	1 1 1/16	1 1 1/16	1 1 1/16	1 7/8
W	—	—	5 5/8	5 5/8	7	7	7
X	—	—	2 1/4	5/8	7/8	—	—
Y	—	—	3 7/8	3 7/8	4 1/2	4 1/2	4 1/2
Z	7 3/8	7 1/4	6 5/8	9 1/2	9 1/2	10 3/8	10 3/8

Note: Dimensions G, L, M, O, P, S & W are shown for minimum S-beam and increase proportionally for larger beams. Dimension N is shown for minimum S-beam and decreases proportionally for larger beams.



For additional information contact your Yale representative or Yale headquarters direct.

⚠ WARNING

To Avoid Injury:

- Do not exceed working load limit, load rating, or capacity.
- Do not use to lift people or loads over people.
- Read and follow all instructions.

414 West Broadway Ave. • P.O. Box 769 • Muskegon, MI 49443

PH: 800-999-6318 • FX: 800-766-0223 • www.yalehoists.net

PRINTED IN U.S.A. / COPYRIGHT 2007, YALE® HOISTS, DIVISION OF COLUMBUS MCKINNON CORPORATION / BULLETIN NO Y/L-1008-0807

