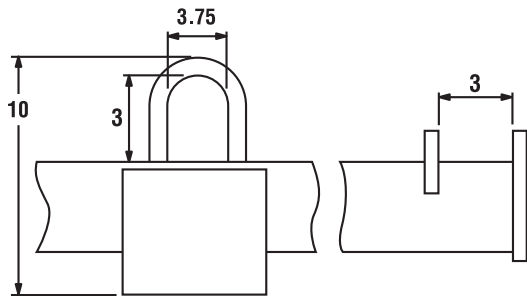
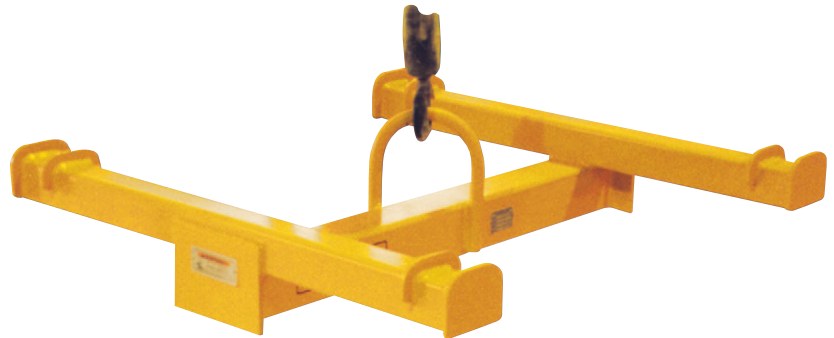


## BCB BULK CONTAINER LIFTING BEAM

### PRODUCT FEATURES

- Constructed of tubing for smooth surface with no sharp edges.
- Low headroom design.
- Easily attach to load with open lifting lugs.
- Lug spacing will hold up to a 3" wide loop.
- Oversized lifting eye to accept a wide range of hooks.
- Complies with ASME standards.



Note: All dimensions shown in inches.

### SPECIFICATIONS

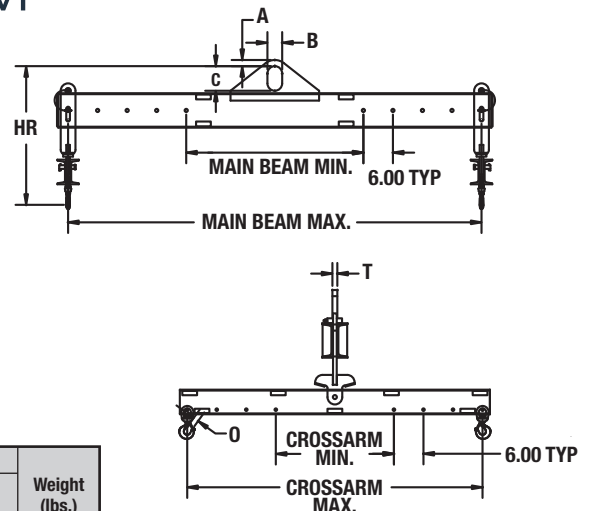
Model Number	Capacity (lbs.)	Span (in.)	Weight (lbs.)
<b>BCB136</b>	2200	36	150
<b>BCB148</b>	2200	48	185
<b>BCB236</b>	4400	36	155
<b>BCB248</b>	4400	48	190

Other sizes available, please consult factory.

## AFPB STANDARD ADJUSTABLE FOUR POINT LIFTING BEAM

### PRODUCT FEATURES

- Low headroom design.
- Swivel hooks with latches standard.
- Adjustable spreads on 1' increments.
- Faspins for easy crossarm adjustment.
- Complies with ASME standards.



### SPECIFICATIONS

Model Number	Capacity (tons)	Dimensions (inches)							Weight (lbs.)
		Main Beam Min./Max.	Crossarms Min./Max.	Bail				O	
				A	B	C	T		
<b>AFPB384</b>	3	36/84	24/60	1.25	3	5	1	0.97	375
<b>AFPB5120</b>	5	48/120	36/96	2	4	7	1.25	1.06	760
<b>AFPB10144</b>	10	72/144	36/96	2	4	7	1.25	1.41	1530

Custom sizes and capacities available. Please fill out the Lifting Beam Application Evaluation.

