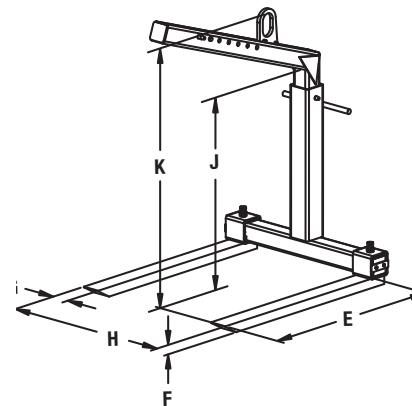
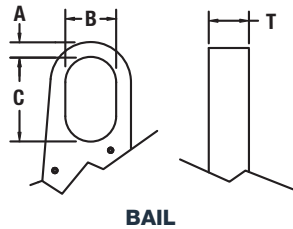
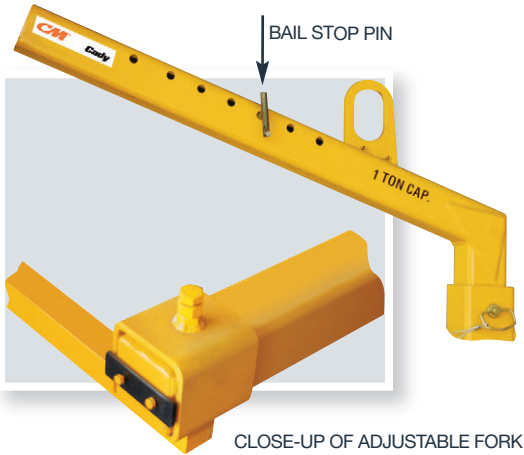


# ALL ADJUSTABLE LOAD LIFTER

## PRODUCT FEATURES

- Once the bail pin is set the pallet lifter remains balanced whether full or empty to make the job faster and safer.
- Adjustable bail provides for balanced handling of items with different load centers.
- Adjustable throat allows for the correct handling of higher stacked loads.
- Adjustable forks allow for proper placement of the forks spread.
- The auto return bail automatically levels empty pallet lifter saving time and effort.
- Heavy duty construction for years of trouble free service.
- Complies with ASME standards.

Use your crane to handle a wide range of loads.



## SPECIFICATIONS

Model Number	Rated Capacity (tons)	Dimensions (in.)																		Weight (lbs.)
		Fork					Bail				Throat			HR Headroom (at min. throat)		HR Headroom (at mid throat)		HR Headroom (at max. throat)		
		E	F	G	H		A	B	C	T	J			K		K		K		
					Min.	Max.					Min.	Mid	Max.	Min.	Max.	Min.	Max.	Min.	Max.	
ALL2	2	43.00	2.00	4.00	17.50	36.00	.88	3.00	5.00	0.75	40.68	52.68	64.18	54.88	60.68	66.63	72.44	78.38	84.18	515