



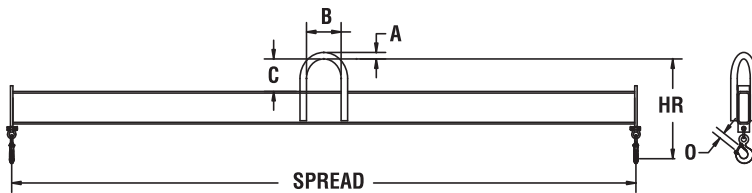
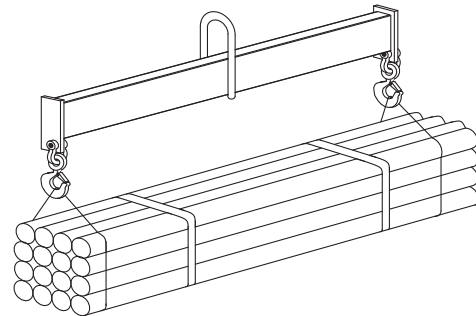
FLB FIXED SPREAD LIFTING BEAM



PRODUCT FEATURES

- Provides clearance in low headroom applications.
- Eye hooks with hook latches standard.
- Fixed spread.
- Complies with ASME standards.

APPLICATION



SPECIFICATIONS

| Capacity (tons) | Model Number HR Headroom (in.) Weight (lbs.) | Spread (feet) | | | | | | Other Dimensions (in.) | |
|-----------------|--|---------------|----------|----------|----------|----------|----------|---------------------------|---------|
| | | 2 | 3 | 4 | 6 | 8 | 10 | | |
| 1/2 | Model Number | FLB10002 | FLB10003 | FLB10004 | FLB10006 | FLB10008 | FLB10010 | A = .75 B = 3 C = 5 | 0 = .89 |
| | HR Headroom | 13-1/3 | 13-1/3 | 13-1/3 | 13-1/3 | 14-1/3 | 14-1/3 | | |
| 1 | Model Number | FLB12 | FLB13 | FLB14 | FLB16 | FLB18 | FLB110 | A = 1 B = 6 C = 5 | 0 = .89 |
| | HR Headroom | 14-1/3 | 14-1/3 | 14-1/3 | 15-1/3 | 15-1/3 | 16 1/3 | | |
| 2 | Model Number | | FLB23 | FLB24 | FLB26 | FLB28 | FLB210 | A = 1 B = 6 C = 5 | 0 = 1 |
| | HR Headroom | | 16-3/4 | 16-3/4 | 17-3/4 | 19-3/4 | 19-3/4 | | |
| 3 | Model Number | | FLB33 | FLB34 | FLB36 | FLB38 | FLB110 | A = 1.5 B = 6 C = 5 | 0 = 1 |
| | HR Headroom | | 18 | 20 | 20 | 20 | 20 | | |
| | Weight | | 58 | 87 | 118 | 222 | 272 | | |