

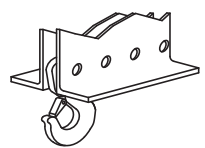
LLLB LOAD LEVELING LIFTING BEAM



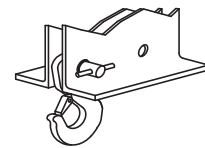
LIFTING BEAMS

PRODUCT FEATURES

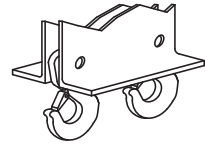
- Handles off center loads by adjusting the bail before a lift.
- Infinite adjustment of bail within range.
- Swivel hooks with hook latches standard.
- Wide range of sizes and capacities available.
- Complies with ASME standards.



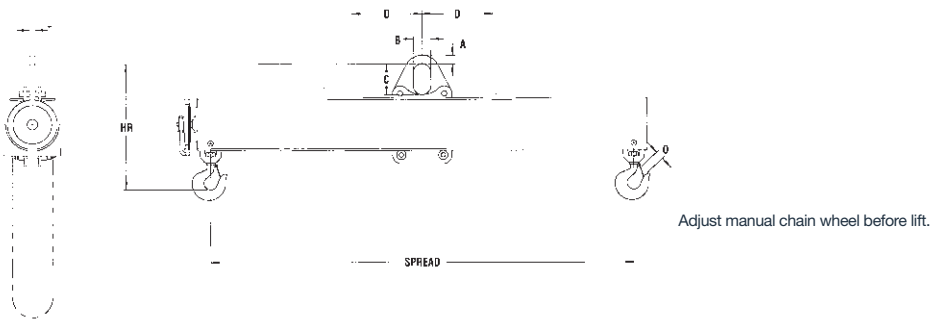
OPTION A
Extra Holes
 Allows for multiple hook positioning. Specify number and spread(s) required.
 *Could increase headroom.



OPTION B
Faspins
 For ease of positioning hooks with quick release. Specify number of faspins required.



OPTION C
Extra hooks
 Allows for multiple pick points. Specify number of hooks required.



SPECIFICATIONS (chain wheel model only)

Rated Capacity (tons)	Model Number HR Headroom (in.) Weight (lbs.)	Spread (feet)										Other Dimensions (in.)	
		4	6	8	10	12	14	16	18	20	24		
2	Model Number	LLL24	LLL26	LLL28	LLL210	LLL212	LLL214	LLL216	LLL218	LLL220	LLL224	A=1-1/2 B=3 C=5	T=5/8 O=1
	HR Headroom	15-1/8	15-1/8	16-1/8	17-1/8	17-1/8	18-1/8	18-1/8	19-1/8	19-1/8	20-1/8		
	Weight	135	185	260	329	377	481	538	680	750	1265		
5	Model Number	LLL54	LLL56	LLL58	LLL510	LLL512	LLL514	LLL516	LLL518	LLL520	LLL524	A=2 B=4 C=7	T=1 O=1
	HR Headroom	21-1/2	21-1/2	23-1/2	23-1/2	25-1/2	25-1/2	28-1/2	28-1/2	28-1/2	28-1/2		
	Weight	170	270	382	475	681	777	950	1455	1603	2345		
10	Model Number	LLL104	LLL106	LLL108	LLL1010	LLL1012	LLL1014	LLL1016	LLL1018	LLL1020	LLL1024	A=2 B=4 C=7	T=1-1/4 O=1-3/4
	HR Headroom	25-3/4	28-3/4	28-3/4	31-3/4	31-3/4	31-3/4	31-3/4	34-3/4	34-3/4	34-3/4		
	Weight	257	440	500	940	1094	1243	1388	1875	2056	2560		
15	Model Number	LLL154	LLL156	LLL158	LLL1510	LLL1512	LLL1514	LLL1516				A=2-1/2 B=5 C=9	T=1-1/2 O=1-3/4
	HR Headroom	30-1/2	33-1/2	33-1/2	33-1/2	36-1/2	36-1/2	36-1/2					
	Weight	376	565	622	972	1319	1418	1513					
20	Model Number	LLL204	LLL206	LLL208	LLL2010	LLL2012						A=2-1/2 B=5 C=9	T=1-1/2 O=2
	HR Headroom	34	37	37	37	37							
	Weight	445	798	900	1050	1353							

Bail Adjustment (in.)	D=8	D=12	D=16	D=20	D=24	D=28	D=32	D=36	D=40	D=48
-----------------------	-----	------	------	------	------	------	------	------	------	------