

ROLL GRIPPING TONGS

Used to grip the O.D. of a roll. The diameter range can vary up to 25%. A double leg design will provide additional roll stability; however, single leg models are available for narrower rolls. Recommend double leg for rolls wider than 48".

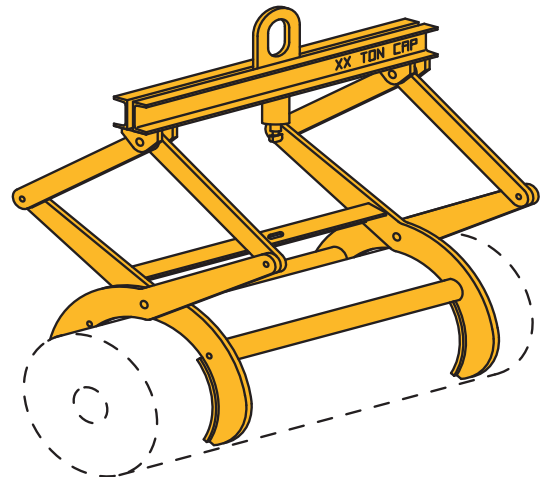
CAPACITIES

DOUBLE LEG: UP TO 4 TONS

SINGLE LEG: UP TO 2 1/2 TONS

PRODUCT FEATURES

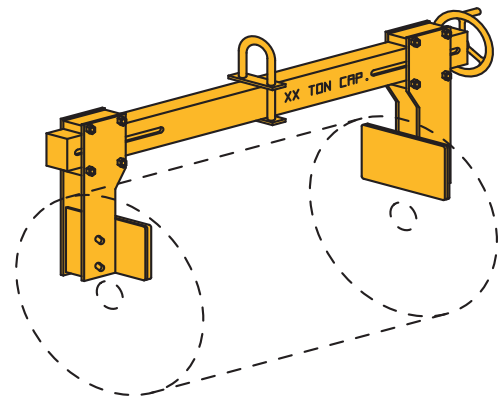
Automatic latching mechanism for single-person operation. Tong saddles with protective covering to prevent roll damage are available.



ROLL GRABS

Used for side lifting of rolls by gripping on the ends. A wide range of roll lengths or widths can be accommodated. Motorization is recommended when handling a wide range of roll widths.

CAPACITIES UP TO 5 TONS



MOTORIZED ROLL LIFTER

Used to lift rolls by positioning lifting pins in the I.D. of the roll. Arms move in and out to clear and lift roll. This model will handle a variety of widths with minimal aisle clearance requirements. Motorization is recommended; however, chainwheel operation is available.

CAPACITIES UP TO 10 TONS

