

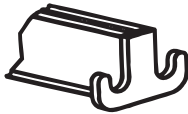
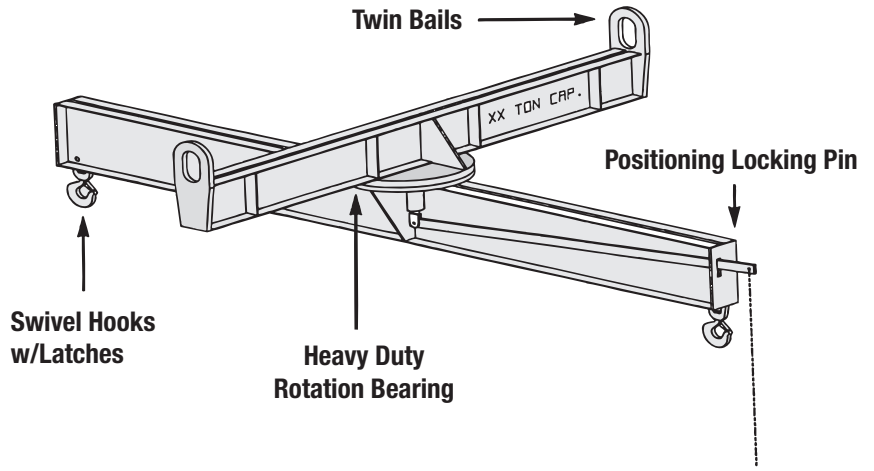


RLB TWIN HOIST ROTATING LIFTING BEAM

A specially designed lifting and rotating beam using two cranes or two hoists to horizontally rotate a load. A position locking pin holds the load rotation at a designated position. Available with motorized rotation.

PRODUCT FEATURES

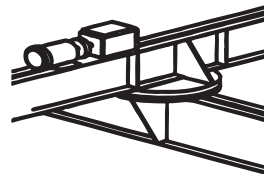
- Wide range of sizes and capacities available.
- Maximum 20 feet (upper and lower) beam length.
- Complies with ASME standards.



OPTION A
Twin Hooks
Used in conjunction with basket hitch slings.



OPTION B
J Hooks
Generally required to lift paper rolls or similar application. Use Paper Roll Lifters Application Evaluation on page 57.



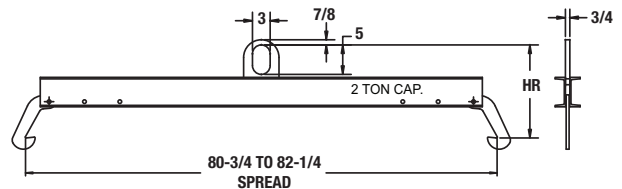
OPTION C
Motorized Rotation
Allows remote positioning of a load.



OPTION D
Lower Head Room Bails
Utilized when headroom must be held to a minimum. Crane hook data must be supplied, see page 56.

CCB CHLORINE CYLINDER LIFTING BEAM

Designed to efficiently handle standard chlorine gas cylinders. Standard size determined by the Chlorine Institute is 80-3/4" to 82-1/4" in length. Special low headroom modification is available.



Note: All dimensions shown in inches.

SPECIFICATIONS

Model Number	Capacity (tons)	HR Headroom (in.)	Weight (lbs.)
CCB2165	2	16-1/2 - 15-1/2	105