

# **PACLINE™**

## **OVERHEAD CONVEYORS**

ISO 9001



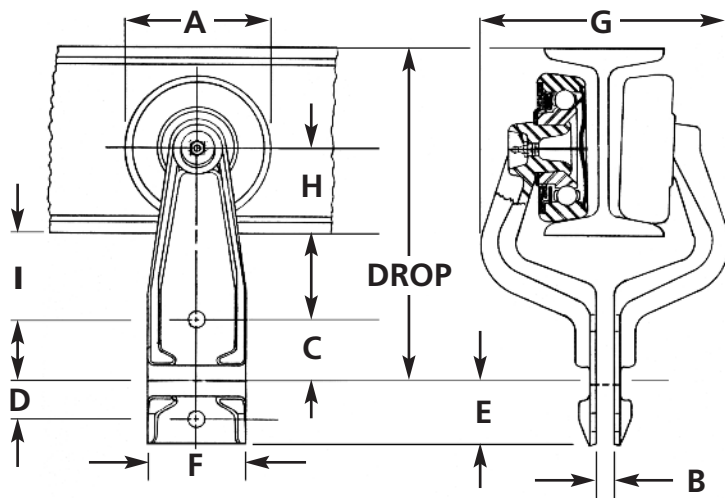
# **PAC-BEAM™**

## **I-Beam Trolley Conveyor**

Rugged Construction • High Capacity • Durable  
Simple and Proven • Inexpensive Solution

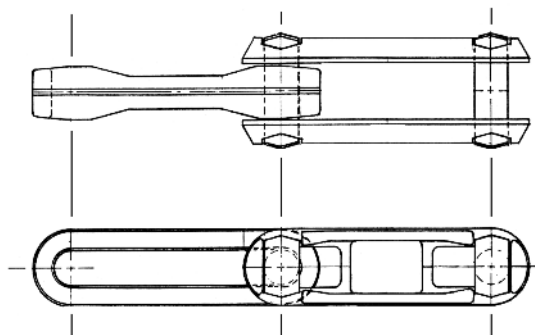
# PAC-BEAM<sup>™</sup> Specifications

Trolley Size	6"	4"		3"	
Drop	10"	8"	7 3/16"	5 1/2"	
Single Trolley Capacity	1200 lbs	400 lbs		200 lbs	
Capacity with Load Bar	2400 lbs	800 lbs		400 lbs	
Trolley Set Wt.	19.3 lbs	6.5 lbs		3.1 lbs	
Chain Size	X-678	X-458		X-348	
I-Beam Size #/ft	6" I @ 12.5	4" I @ 7.7		3" I @ 5.7	
Trolley Dimensions	A	4 13/16"	3 3/16"	3 3/16"	2 5/16"
	B	1/2"	3/8"	3/8"	1/4"
	C	1 5/8"	1 5/16"	1 5/16"	1"
	D	1 1/8"	13/16"	13/16"	7/8"
	E	1 11/16"	1 1/4"	1 1/4"	1 1/4"
	F	3 3/8"	2 1/8"	2 1/8"	1 9/16"
	G	6 3/8"	5 3/8"	5 3/8"	4 1/16"
	H	2 11/16"	1 7/8"	1 7/8"	1 7/16"
	I	2 3/8"	2 11/16"	1 7/8"	1 1/2"



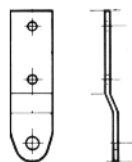
Chain Size	6"	4"	3"	
Part Number	X-678	X-458	X-348	
Ultimate Strength (lbs)	85,000	48,000	24,000	
Weight per Foot (lbs)	6.7	3.2	2.2	
Chain Pull	Maximum	6,500	3,500	2,000
	Cap (lbs)	Recommended	4,500	2,500
Vertical Curve	12"	10 ft.	5 ft.	
	16"	8 ft.		
Minimum Radius (ft)	18"		6 ft.	
	24"	15 ft.	10 ft.	8 ft.
Trolley Spacing (inches)	30"		10 ft.	
	32"	12 ft.		
Horizontal Turns	Roller Lt. C.P.	36" Rad.	18" Rad.	18" Rad.
	Roller Max. C.P.	48" Rad.	24" Rad.	18" Rad.
Minimum Radius	Wheel Lt. C.P.	36" Dia.	24" Dia.	24" Dia.
	Wheel Max. C.P.	48" Dia.	36" Dia.	24" Dia.

## X-Type Rivetless (6", 4", 3")

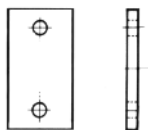


## TROLLEY ATTACHMENTS

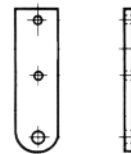
"H" Attachment



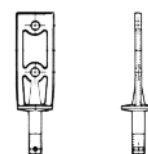
"I" Attachment



"C" Attachment



"B" Attachment



Distributed by:



**PACLIN<sup>™</sup>**  
**OVERHEAD CONVEYORS**  
[WWW.PACLIN.COM](http://WWW.PACLIN.COM)

1-800-955-8860 • sales@pacline.com