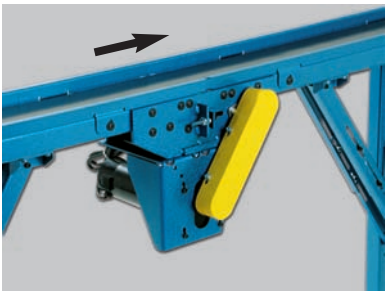


Model 150 Center Drives*

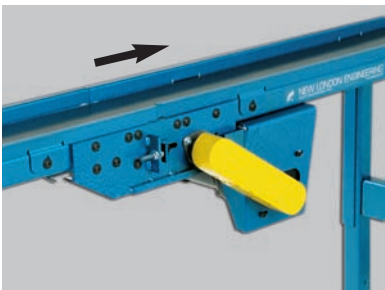


Infeed

Side

Discharge

DRIVE #1 Center Drive* • Bottom Mount • Inline Gearmotor • Under Belt




Infeed

Side

Discharge

DRIVE #2 Center Drive* • Frame Mount • Inline Gearmotor • Under Belt




Infeed

Side

Discharge

DRIVE #3 Center Drive* • Frame Mount • Right Angle Gearmotor • Discharge Facing



Discharge

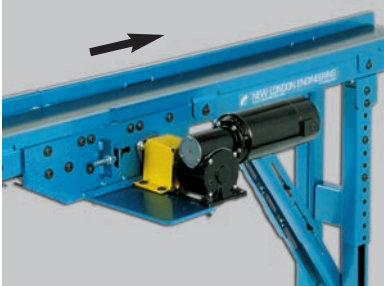
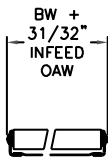
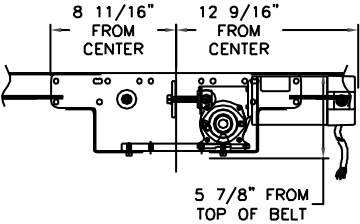
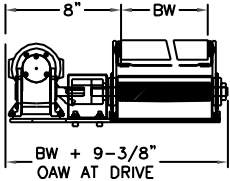
Side

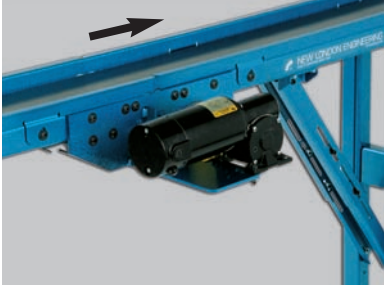
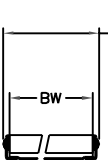
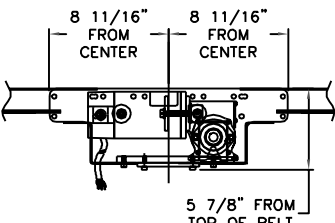
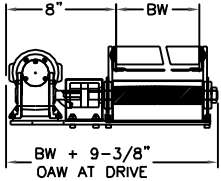
Infeed

DRIVE #4 Center Drive* • Frame Mount • Right Angle Gearmotor • Infeed Facing


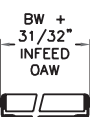
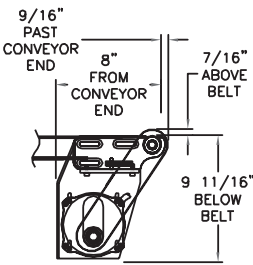
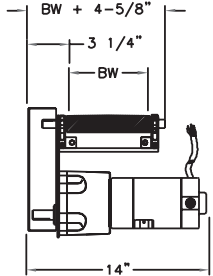
*Center mounts are typically mounted in the center (middle) of the conveyor.
If you require the mount location to be off center (closer to the infeed or discharge), please specify at time of order.
All 150 diagrams are shown with DC drives. All dimensions are subject to change.


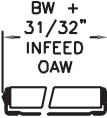
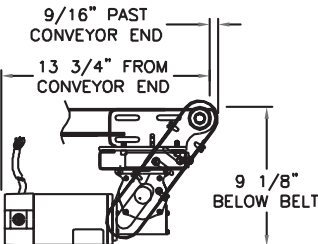
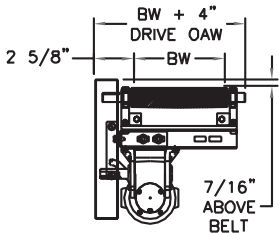
Model 150 Center Drives*

	Infeed	Side	Discharge
	 $BW + 31/32"$ INFEED OAW	 $8 \frac{11}{16}"$ FROM CENTER $12 \frac{9}{16}"$ FROM CENTER $5 \frac{7}{8}"$ FROM TOP OF BELT	 $8"$ BW $BW + 9-3/8"$ OAW AT DRIVE
DRIVE #5 Center Drive* • Shaft Mount • Right Angle Gearmotor • Discharge Facing			


	Infeed	Side	Discharge
	 BW $BW + 31/32"$ INFEED OAW	 $8 \frac{11}{16}"$ FROM CENTER $8 \frac{11}{16}"$ FROM CENTER $5 \frac{7}{8}"$ FROM TOP OF BELT	 $8"$ BW $BW + 9-3/8"$ OAW AT DRIVE
DRIVE #6 Center Drive* • Shaft Mount • Right Angle Gearmotor • Infeed Facing			

Model 150 End Drives – Bottom Mounts


	Infeed	Side	Discharge
	 $BW + 31/32"$ INFEED OAW	 $9/16"$ PAST CONVEYOR END $8"$ FROM CONVEYOR END $7/16"$ ABOVE BELT $9 \frac{11}{16}"$ BELOW BELT	 $BW + 4-5/8"$ $3 \frac{1}{4}"$ BW $14"$
DRIVE #7 End Drive • Bottom Mount • Inline Gearmotor • Under Belt			

	Infeed	Side	Discharge
	 $BW + 31/32"$ INFEED OAW	 $9/16"$ PAST CONVEYOR END $13 \frac{3}{4}"$ FROM CONVEYOR END $9 \frac{1}{8}"$ BELOW BELT	 $2 \frac{5}{8}"$ $BW + 4"$ DRIVE OAW BW $7/16"$ ABOVE BELT
DRIVE #8 End Drive • Bottom Mount • Right Angle Gearmotor • Infeed Facing			

Model 150 End Drives – Top Mounts



Infeed



9/16" PAST CONVEYOR END

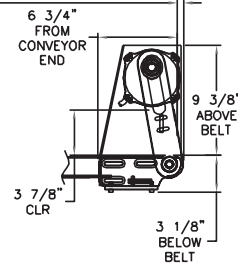
6 3/4" FROM CONVEYOR END

9 3/8" ABOVE BELT

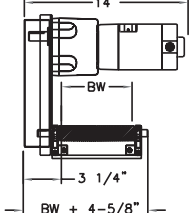
3 7/8" CLR

3 1/8" BELOW BELT

Side



Discharge




14"

BW

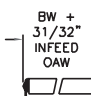
3 1/4"

BW + 4-5/8"

DRIVE #9 End Drive • Top Mount • Inline Gearmotor • Over Belt

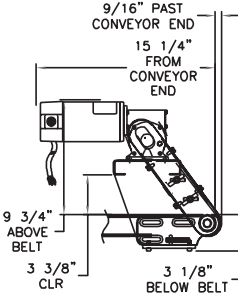


Infeed



BW + 31/32" INFEED OAW

Side



9/16" PAST CONVEYOR END

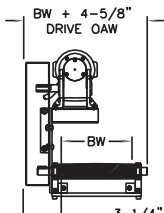
15 1/4" FROM CONVEYOR END

9 3/4" ABOVE BELT

3 3/8" CLR

3 1/8" BELOW BELT

Discharge




BW + 4-5/8" DRIVE OAW


BW

3 1/4"

DRIVE #10 End Drive • Top Mount • Right Angle Gearmotor • Infeed Facing

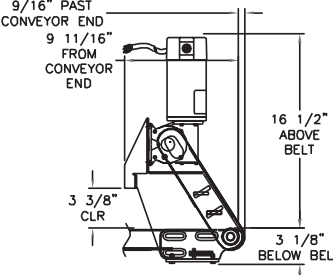


Infeed



BW + 31/32" INFEED OAW

Side



9/16" PAST CONVEYOR END

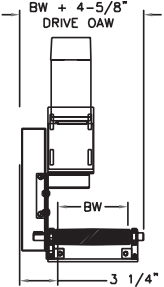
9 11/16" FROM CONVEYOR END

16 1/2" ABOVE BELT

3 3/8" CLR

3 1/8" BELOW BELT

Discharge




BW + 4-5/8" DRIVE OAW

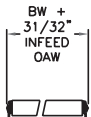
BW

3 1/4"

DRIVE #11 End Drive • Top Mount • Right Angle Gearmotor • Vertical Facing

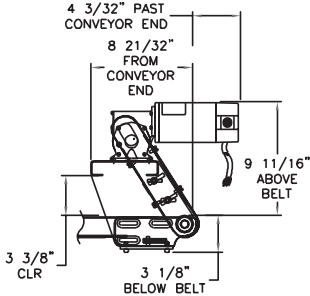


Infeed



BW + 31/32" INFEED OAW

Side



4 3/32" PAST CONVEYOR END

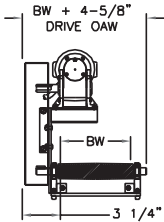
8 21/32" FROM CONVEYOR END

9 11/16" ABOVE BELT

3 3/8" CLR

3 1/8" BELOW BELT

Discharge



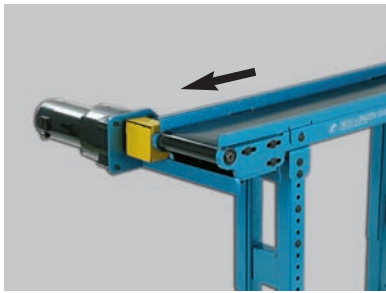
BW + 4-5/8" DRIVE OAW

BW

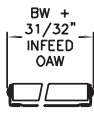
3 1/4"

DRIVE #12 End Drive • Top Mount • Right Angle Gearmotor • Discharge Facing

Model 150 End Drives – Shaft Mounts

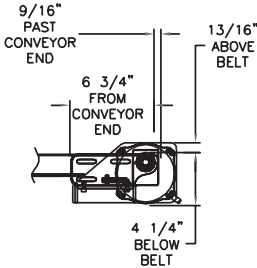


Infeed



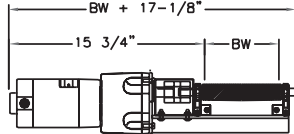
$BW + 31/32"$
INFEED OAW

Side



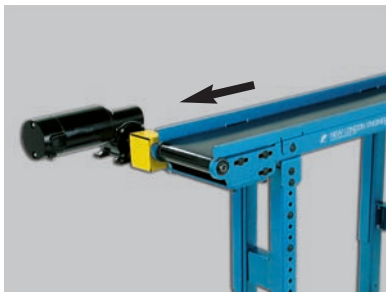
$9/16"$ PAST CONVEYOR END
 $6 3/4"$ FROM CONVEYOR END
 $13/16"$ ABOVE BELT
 $4 1/4"$ BELOW BELT

Discharge




$BW + 17-1/8"$
 $15 3/4"$ — BW

DRIVE #13 End Drive • Shaft Mount • Inline Gearmotor • Side Facing

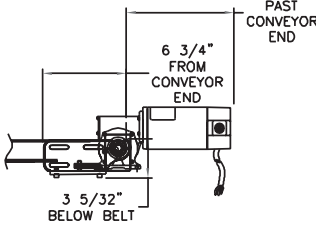


Infeed



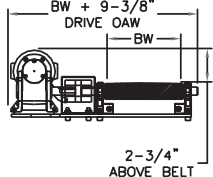
$BW + 31/32"$
INFEED OAW

Side




$8 11/16"$ PAST CONVEYOR END
 $6 3/4"$ FROM CONVEYOR END
 $3 5/32"$ BELOW BELT

Discharge




$BW + 9-3/8"$ DRIVE OAW
 BW
 $2-3/4"$ ABOVE BELT

DRIVE #14 End Drive • Shaft Mount • Right Angle Gearmotor • Discharge Facing

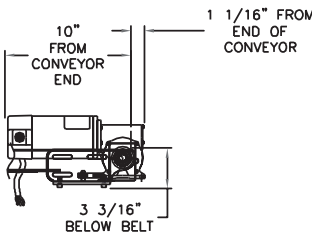


Infeed



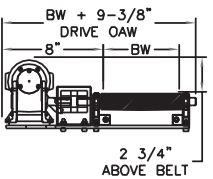
$BW + 31/32"$
INFEED OAW

Side



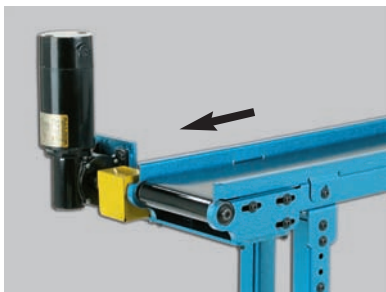
$10"$ FROM CONVEYOR END
 $1 1/16"$ FROM END OF CONVEYOR
 $3 3/16"$ BELOW BELT

Discharge

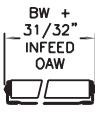


$BW + 9-3/8"$ DRIVE OAW
 $8"$ — BW
 $2 3/4"$ ABOVE BELT

DRIVE #15 End Drive • Shaft Mount • Right Angle Gearmotor • Infeed Facing

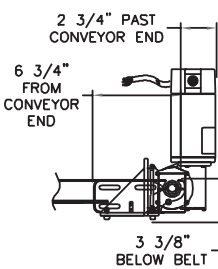


Infeed



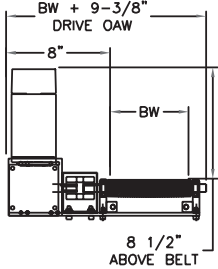
$BW + 31/32"$
INFEED OAW

Side



$2 3/4"$ PAST CONVEYOR END
 $6 3/4"$ FROM CONVEYOR END
 $3 3/8"$ BELOW BELT

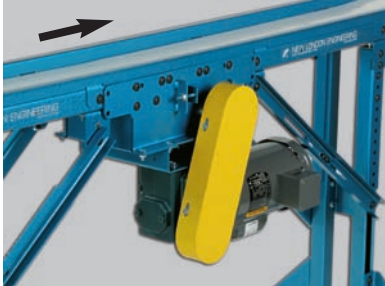
Discharge



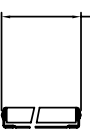
$BW + 9-3/8"$ DRIVE OAW
 $8"$ — BW
 $8 1/2"$ ABOVE BELT

DRIVE #16 End Drive • Shaft Mount • Right Angle Gearmotor • Vertical Facing

Model 250 Center Drives

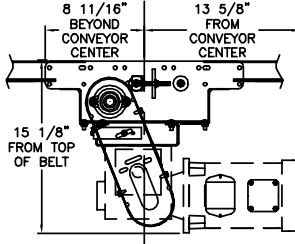


Infeed



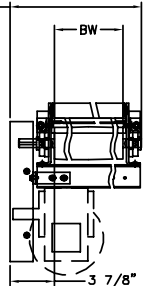
$BW + \frac{31}{32}''$
INFEED OAW

Side



8 $\frac{11}{16}''$ BEYOND CONVEYOR CENTER
13 $\frac{5}{8}''$ FROM CONVEYOR CENTER
15 $\frac{1}{8}''$ FROM TOP OF BELT

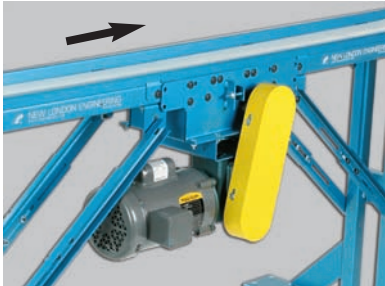
Discharge




$BW + 5 - \frac{1}{2}''$
DRIVE OAW

3 $\frac{7}{8}''$

DRIVE #17
Center Drive • Bottom Mount • Discharge Facing

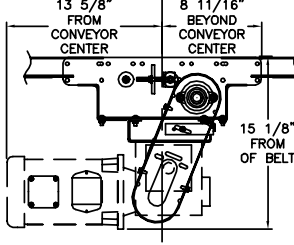


Infeed



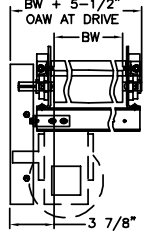
$BW + \frac{31}{32}''$
INFEED OAW

Side



13 $\frac{5}{8}''$ FROM CONVEYOR CENTER
8 $\frac{11}{16}''$ BEYOND CONVEYOR CENTER
15 $\frac{1}{8}''$ FROM TOP OF BELT

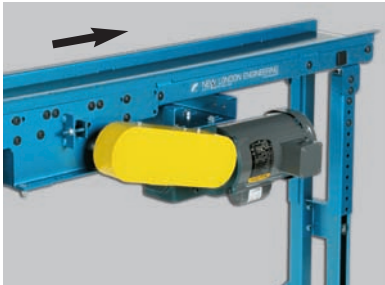
Discharge



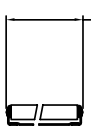
$BW + 5 - \frac{1}{2}''$
OAW AT DRIVE

3 $\frac{7}{8}''$

DRIVE #18
Center Drive • Bottom Mount • Infeed Facing

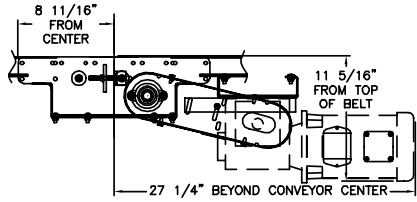


Infeed



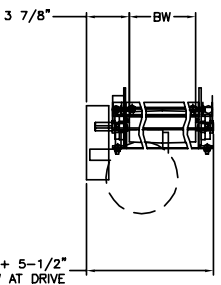
$BW + \frac{31}{32}''$
INFEED OAW

Side



8 $\frac{11}{16}''$ FROM CENTER
11 $\frac{5}{16}''$ FROM TOP OF BELT
27 $\frac{1}{4}''$ BEYOND CONVEYOR CENTER

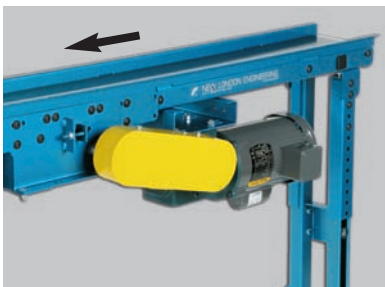
Discharge



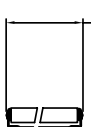
3 $\frac{7}{8}''$

$BW + 5 - \frac{1}{2}''$
OAW AT DRIVE

DRIVE #19
Center Drive • Frame Mount • Discharge Facing

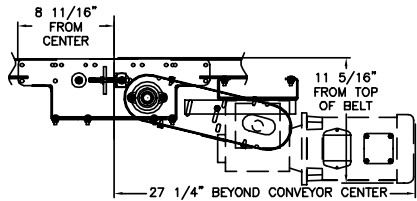


Infeed



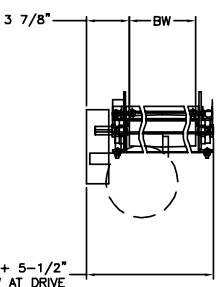
$BW + \frac{31}{32}''$
INFEED OAW

Side



8 $\frac{11}{16}''$ FROM CENTER
11 $\frac{5}{16}''$ FROM TOP OF BELT
27 $\frac{1}{4}''$ BEYOND CONVEYOR CENTER

Discharge

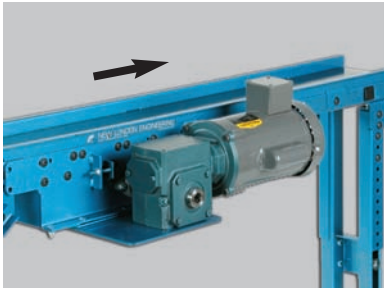


3 $\frac{7}{8}''$

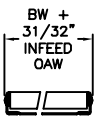
$BW + 5 - \frac{1}{2}''$
OAW AT DRIVE

DRIVE #20
Center Drive • Frame Mount • Infeed Facing

Model 250 Center Drives

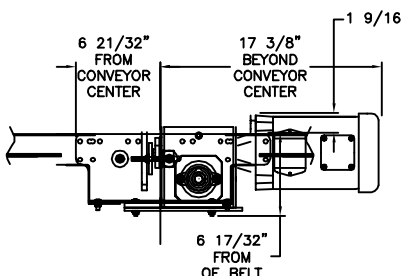


Infeed



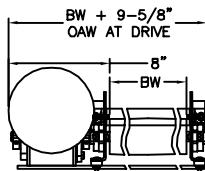
$BW + 31/32"$
INFEED
OAW

Side



6 $21/32"$ FROM CONVEYOR CENTER
17 $3/8"$ BEYOND CONVEYOR CENTER
1 $9/16"$
6 $17/32"$ FROM OF BELT

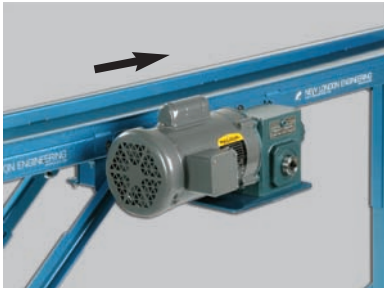
Discharge




$BW + 9-5/8"$
OAW AT DRIVE
8"
BW

DRIVE #21

Center Drive • Shaft Mount • Discharge Facing

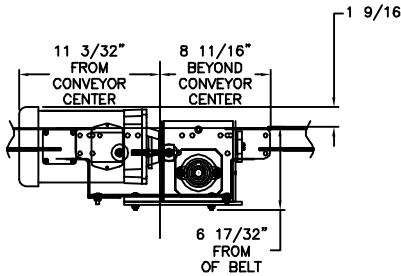


Infeed



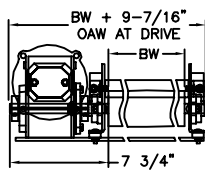
$BW + 31/32"$
INFEED
OAW

Side



11 $3/32"$ FROM CONVEYOR CENTER
8 $11/16"$ BEYOND CONVEYOR CENTER
1 $9/16"$
6 $17/32"$ FROM OF BELT

Discharge

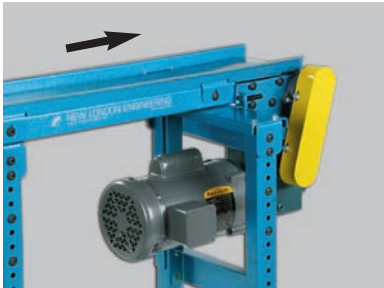


$BW + 9-7/16"$
OAW AT DRIVE
BW
7 $3/4"$

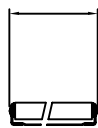
DRIVE #22

Center Drive • Shaft Mount • Infeed Facing

Model 250 End Drives – Bottom Mounts

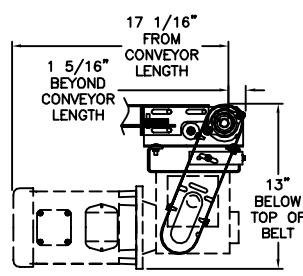


Infeed



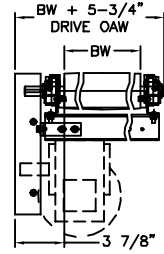
$BW + 31/32"$
INFEED
OAW

Side



17 $1/16"$ FROM CONVEYOR LENGTH
1 $5/16"$ BEYOND CONVEYOR LENGTH
13" BELOW TOP OF BELT

Discharge

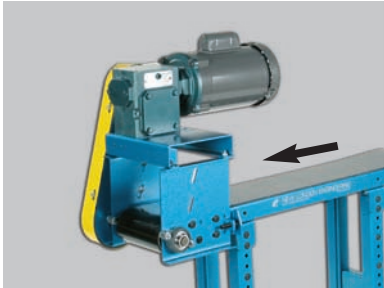


$BW + 5-3/4"$
DRIVE OAW
BW
3 $7/8"$

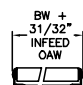
DRIVE #23

End Drive • Bottom Mount • Infeed Facing

Model 250 End Drives – Top Mounts

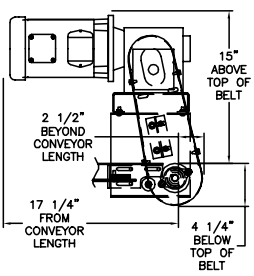


Infeed



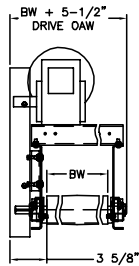
$BW + 31/32"$
INFEED
OAW

Side



15" ABOVE TOP OF BELT
2 $1/2"$ BEYOND CONVEYOR LENGTH
17 $1/4"$ FROM CONVEYOR LENGTH
4 $1/4"$ BELOW TOP OF BELT

Discharge

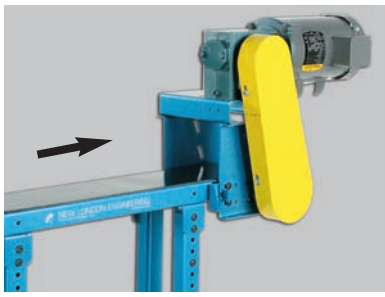


$BW + 5-1/2"$
DRIVE OAW
BW
3 $5/8"$

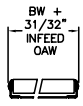
DRIVE #24

End Drive • Top Mount • Infeed Facing

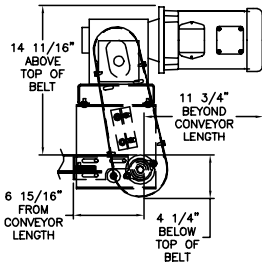
Model 250 End Drives – Top Mounts



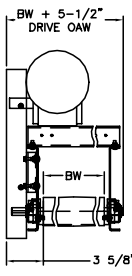
Infeed



Side




Discharge

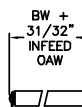


DRIVE #25
End Drive • Top Mount • Discharge Facing

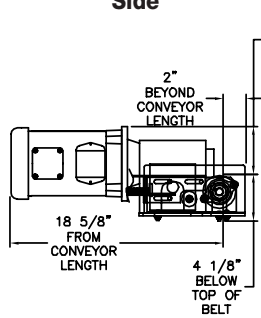
Model 250 End Drives – Side Mounts



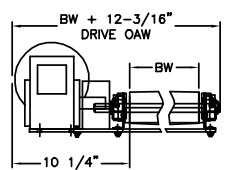
Infeed



Side

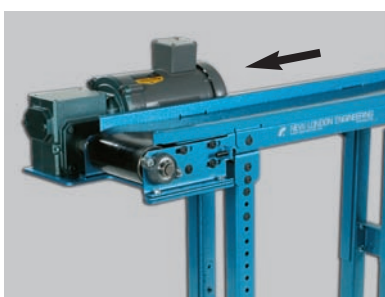


Discharge

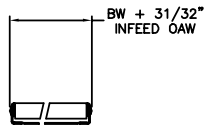


DRIVE #26
End Drive • Side Mount • Infeed Facing

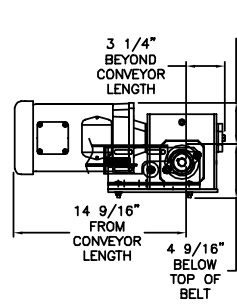
Model 250 End Drives – Shaft Mounts



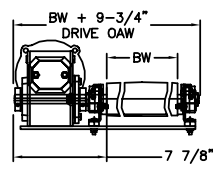
Infeed



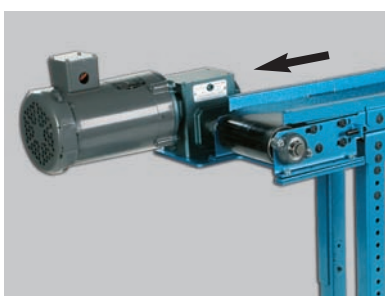
Side



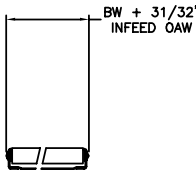
Discharge



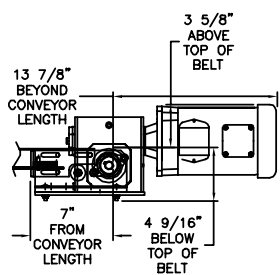
DRIVE #27
End Drive • Shaft Mount • Infeed Facing



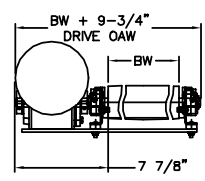
Infeed



Side



Discharge



DRIVE #28
End Drive • Shaft Mount • Discharge Facing