

Manual Starters and Switches Selection Guide

Class 2510, 2511, 2512, 2601



CONTENTS

Description	Page
Class 2510, 2512 Type F Fractional Horsepower Manual Starters	3
Class 2510, 2511, 2512 Type K Manual Switches	6
Dimensions for Open Type	8
Dimensions for Types F and K	9
Class 2510, 2511, 2512 Integral Horsepower Starters – Types M and T	13
Dimensions for Types M and T	15
Accessories and Modifications	19
Class 2601 Reversing Drum Switches	20
Dimensions for Reversing Drum Switches	21



Manual Starters and Switches Reversing Drum Switches

CLASS 2601 REVERSING DRUM SWITCHES

Reversing drum switches are designed to start and reverse motors by connecting them directly across-the-line. The devices may be used with squirrel cage motors; single-phase motors designed for reversing service; and series, shunt, and compound DC motors. The applications should be such that across-the-line starting of the motors is not objectionable, unless other means is provided for limiting starting current and torque. Class 2601 drum switches are field convertible from maintained to momentary operation.

Application Data

The reversing drum switches find application wherever manual reversing control is desired. They are particularly suited for use on machine tools, woodworking machines, and similar types of equipment. Examples include lathes, milling machines, planers, grinders, shapers, and boring mills. Other possible applications include door operators, small hoists, and conveyor belts.

Overload and low voltage protection are not incorporated in these reversing drum switches. Should the power fail, the contacts will remain closed, unless assembled for momentary operation, and the handle stays in the selected position. The motor will restart when the power returns.

Voltage	600 VAC Maximum 250 VDC Maximum
Contact Mechanism	Large movable contact segments are rigidly attached to the main operating shaft. They are fully insulated from each other and from the shaft. Stationary contact fingers are mounted in polymeric blocks. Both movable and stationary contacts are plated for maximum life. Extremely accessible terminals are provided for easy wiring. Type A is provided with screw type terminals and Type B is provided with pressure wire connector terminals. Contacts are not replaceable.

Operating Mechanism	As supplied from the factory, the operating mechanism is assembled for maintained position operation. That is, when the handle is moved to the forward or reverse position, it will remain there until moved. The mechanism can be easily converted, with no additional parts needed, to provide "spring return to off" operation. This conversion is accomplished by removing the handle screw and handle, turning the shaft 180 degrees, and then replacing the handle and handle screw.
---------------------	--

Optional Handles	Both the NEMA Type 1 and NEMA Type 4 devices offer as standard a one piece die cast handle. An optional ball and shaft or fluted handle is available. Drum switches with optional handles are available on a factory Quick-Ship basis. To order, add the letter B (for a ball and shaft type handle) or F (for fluted type handle) to the type number.
------------------	--

Enclosures	The polymeric NEMA Type 1 enclosure is suitable for indoor applications when normal atmospheric conditions prevail. The NEMA Type 4 enclosure is suitable for applications requiring watertight and dusttight capabilities. Generous wiring space is provided in both types. Two knockouts or openings for 1/2" conduit entries are located in the bottom plate of the AG/BG types, while two 1/2" conduit entries with hubs are provided as standard in AW/BW types.
------------	---

Enclosures	A single captive screw holds the cover on NEMA Type 1 enclosures, while three captive screws hold the cover on NEMA Type 4 enclosures. Removal of the cover allows free access to three sides of the switch mechanism. Large legible nameplates are securely attached to the enclosures to clearly indicate switching positions and to provide complete rating information. An instruction sheet showing motor connections is also provided.
------------	--



Type AG2



Type AW2



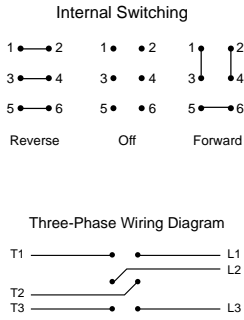
Ball and Shaft Type



Fluted Type



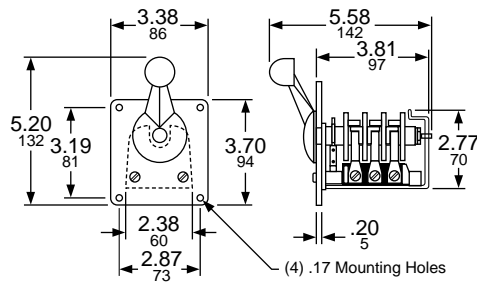
NEMA Type 1, 3R, 4, and 13 without Overload Protection



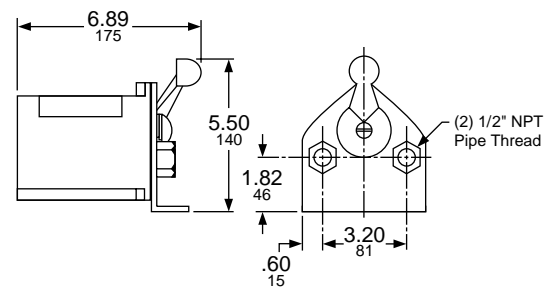
Volts	Ratings			NEMA Type				
	Maximum Horsepower			Type 1 General Purpose Enclosure	Type 4 Watertight & Dusttight Enclosure	Type 3R Rainproof Outdoor Enclosure	Type 1 Maintained & Momentary*	Type 13 Oiltight Flush Mounting
	AC 1-Phase	AC Poly-Phase	DC					
115	1 1/2	1/4	AG2	AW2	AH2	AG2S2	AF2
200/230	2						
230	2	1/4					
460/575	2					
115	1 1/2	2	BG1	BW1	N/A	BG1S4	BF1
200/230	5						
230	3	2					
460/575	5	7 1/2					

* Maintained – “forward”; momentary – “reverse.” Not field convertible.

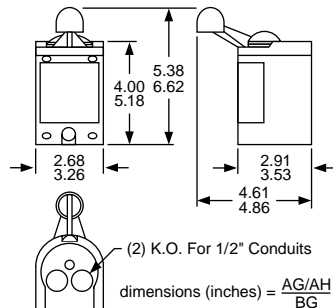
Approximate Dimensions



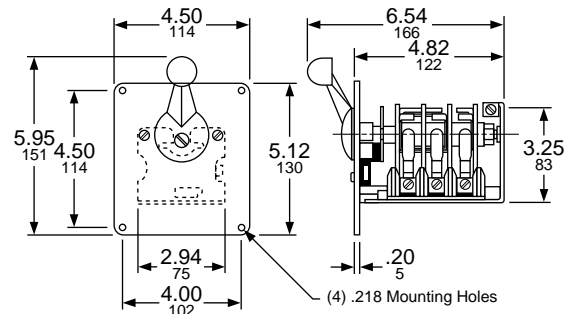
Class 2601 Type AF2



Class 2601 Types AW and BW



Class 2601 Types AG, AH, B



Class 2601 Type BF1