

Gorbel®, the industry leader in intelligent lifting technology, now offers the innovative Easy Arm® in a 660 lb. capacity model to address a wide variety of heavier lifting applications including:

- Automotive powertrain and chassis components
- Diesel engine and truck assembly
- Heavy equipment manufacturing
- Aircraft engine assembly

The Easy Arm® free-standing, plug and play lifting solution, incorporates the popular G-Force® Intelligent Lifting Device with the body of an ergonomic articulating jib crane. The unit offers the responsiveness and flexibility of the human operator while allowing unparalleled speed and precision in heavy lifting applications. Key Easy Arm® standard features include:

- User programmable capacity overload
- Power loss protection
- Virtual limits
- Float mode for exact positioning
- Easy, foundationless installation up to 9'6" span**

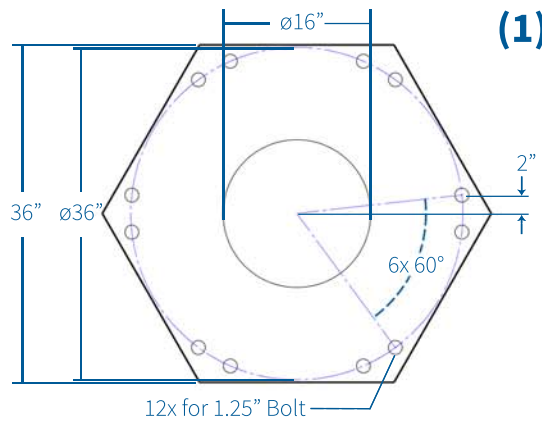
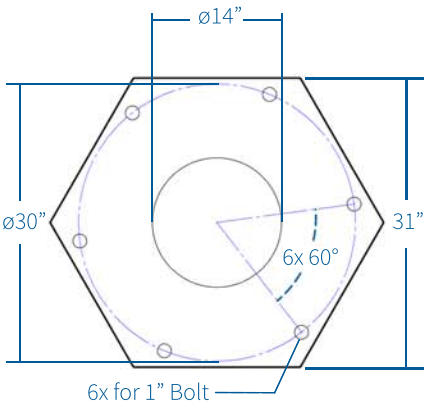
With spans up to 14 feet, the Easy Arm's nimble, easy to move, articulated arm covers a large area and provides superior ergonomics. In addition to pinpoint precision, the unit can reach lifting speeds up to 45 feet per minute for high production environments.

Taking *Intelligent Lifting* 
TO NEW LEVELS

Max Height (Under Hook)	11'
Max Span	14'
Arm Rotation	
Primary Arm	340° (with bumper)
Secondary Arm	310°
Max Baseplate Size	36" diameter 12 hole pattern, 16" diameter pipe



The Easy Arm's all electric, servo-powered G-Force® technology control system is fully programmable to match the device with the work being performed. When combined with customized tooling designed specifically for the size and structure of the load, the Easy Arm® becomes part of an unrivaled ergonomic lifting solution.



(1)

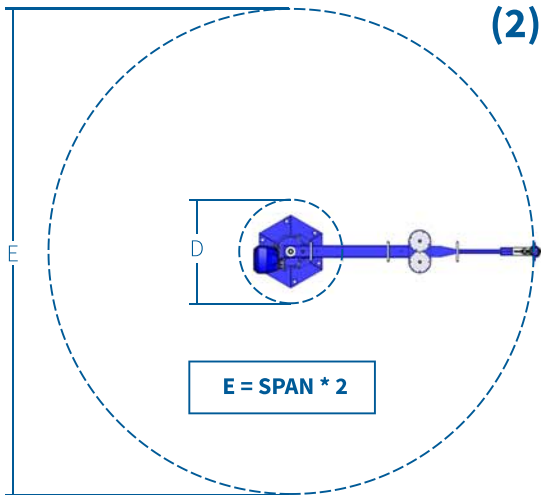
KEY:

Numbers correspond with the associated images

(1) Baseplate Dimensions

(2) Hook Coverage

(3) Product Diagram

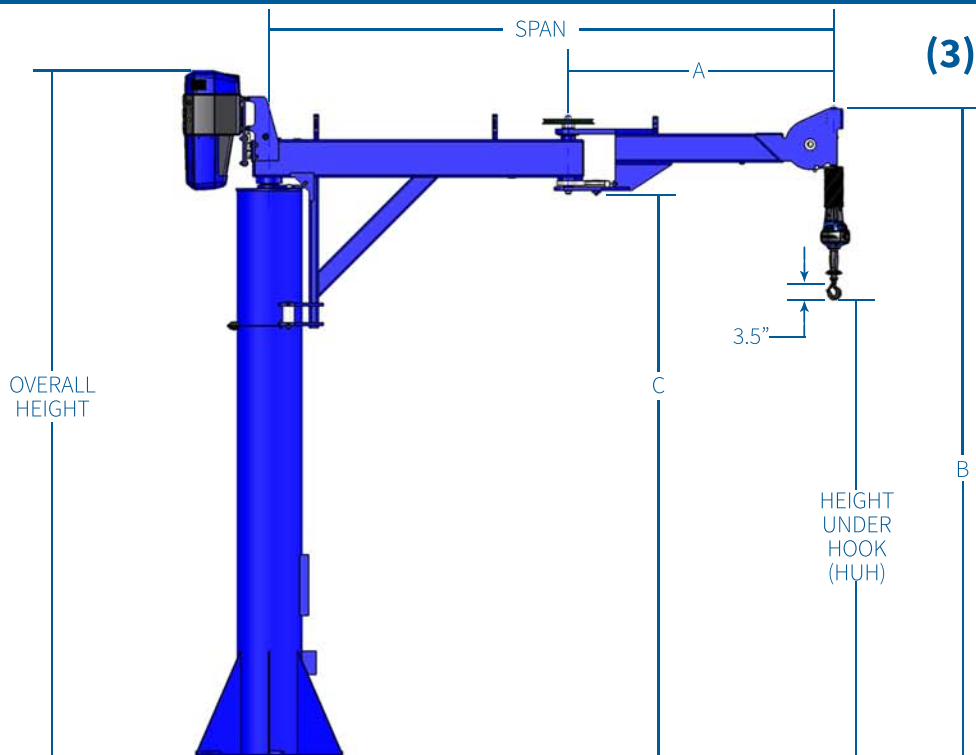


(2)

$$E = \text{SPAN} * 2$$

**Units with 10' spans must be mounted to an 8" reinforced concrete floor based on 3000 psi concrete pressure and soil pressure of 2500 psf

Units with spans greater than 10' must be mounted to a 24" reinforced concrete floor based on 3000 psi concrete pressure and soil pressure of 2500 psf



(3)

SPAN	8'	10'	12'	14'	8'	10'	12'	14'	8'	10'	12'	14'
HUH	6'				8'				10'			
OAH	122"				146"				170"			
A	45.12"	56.4"	67.68"	78.96"	45.12"	56.4"	67.68"	78.96"	45.12"	56.4"	67.68"	78.96"
B	114.22"				138.22"				162.22"			
C	94.39"		91.66"		118.39"		115.66"		142.39"		139.66"	
D	40.1"	50.1"	60.1"	70.1"	40.1"	50.1"	60.1"	70.1"	40.1"	50.1"	60.1"	70.1"

Gorbel, Inc.
600 Fishers Run
Fishers, N.Y. 14453

Toll Free: (800) 821-0086
Phone: (585) 924-6262
Fax: (585) 924-6273

Web: www.gorbel.com
Email: info@gorbel.com
© 2015 Gorbel Inc.
All Rights Reserved