

NEW I Series Switch

Sturdier Design and Shorter Lead Times

Our I Series switches stand up to even the toughest applications

Cleveland Tramrail's roller gliding switches guide loaded carriers from one overhead track to another. We make our switches with accurate curve bending and careful fitting so you get precise alignment and smooth operation. Our switches are the heaviest duty switches made today. They are built from high grade rolled steel to stand up to tough environments like foundries, where prolonged exposure to sand and grit can ruin other equipment.

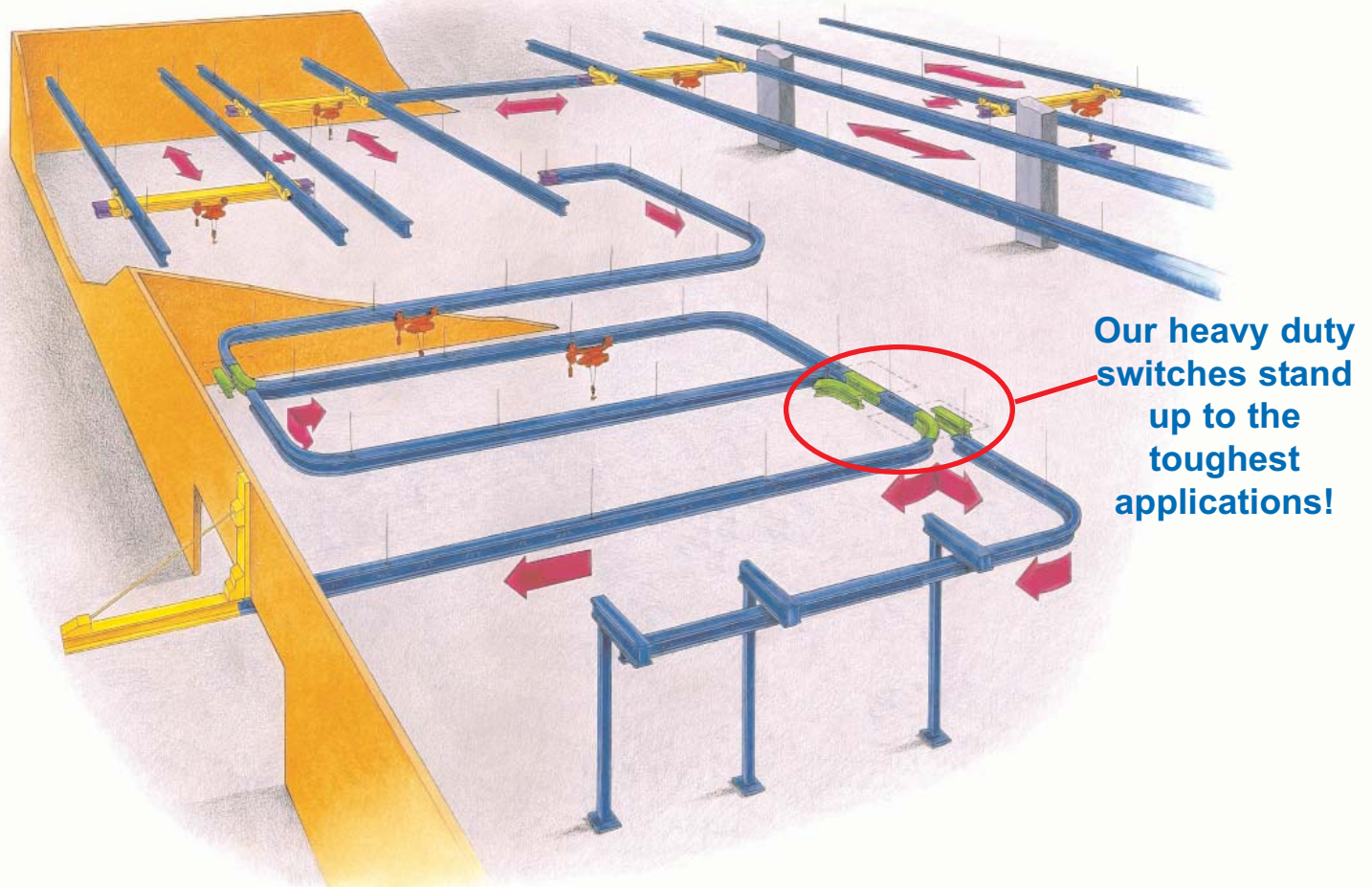
These rugged and easy to operate switches:

- Enable precise alignment due to a rigid outer frame
- Use anti-friction rollers to carry the inner frame for even load distribution, operating ease and minimal wear
- Can be manually or motor operated
- Are available in left-hand, right-hand, three way, and wye configurations

The **I Series Switch** is our newest design. It's ideal for monorail system applications using 5000 series and larger Tarca® track. The new design is:

- easy to install because the sturdier frame does not deform during installation
- more reliable than competitors' switch designs, making it a more sound investment
- ideal for foundries, plating houses, assembly lines, engine repair centers, necropsy labs, and galvanizers.

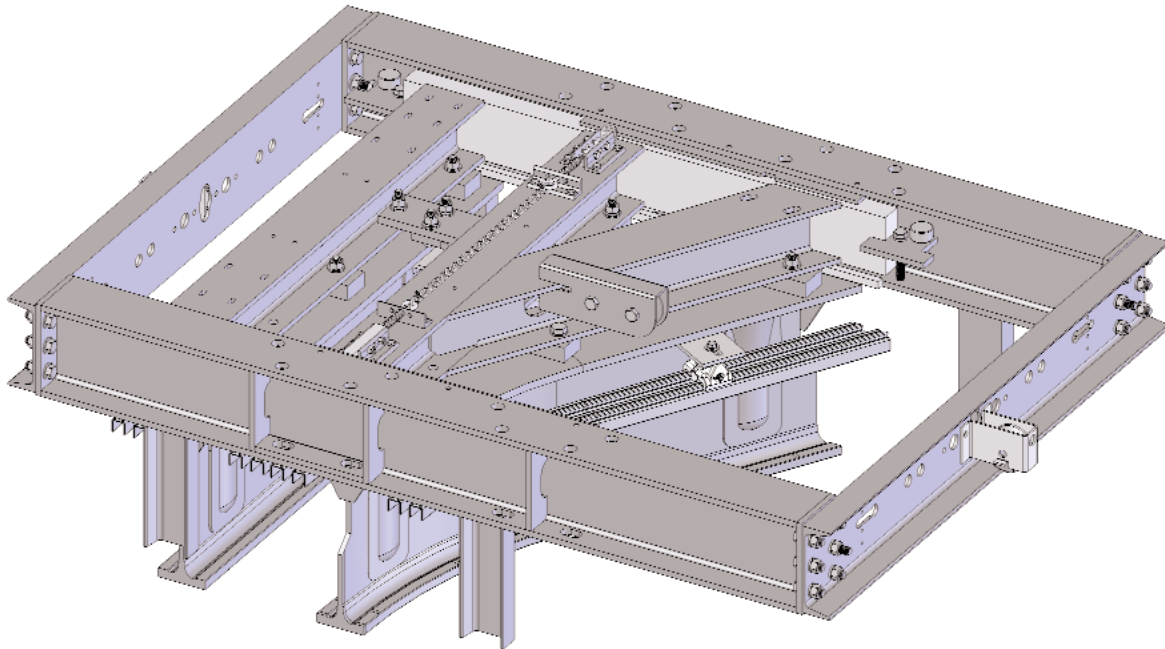
Our standard operations for the I Series Switch include manual, motorized, and pneumatic operation.



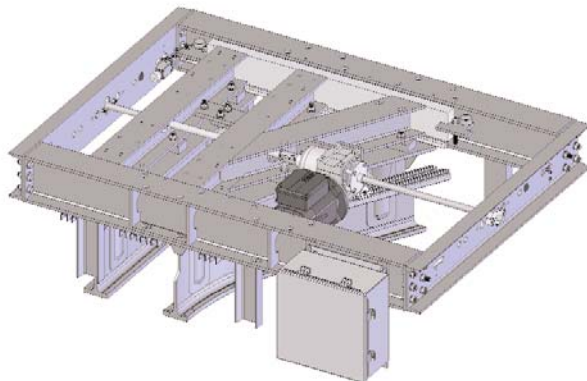
I-Series Switch

Maximum Wheel Diameter	Load Capacity		Each Outlet Connection	Conductor Bars	Switch Operators	Idler and Motor Head Clearance Capacity		Switch Layout	
	Sliding Member					Idler Head	Motor Head	Direction	Angle
	Per Head	Total							
7"	6000 lb	12,000 lb	7000 lb	4,1,2	H, M, A	All heads from H-3000 through WCT	WA, WB, MT, T, CH, WC	RH, LH, 3-Way, Wye	30°

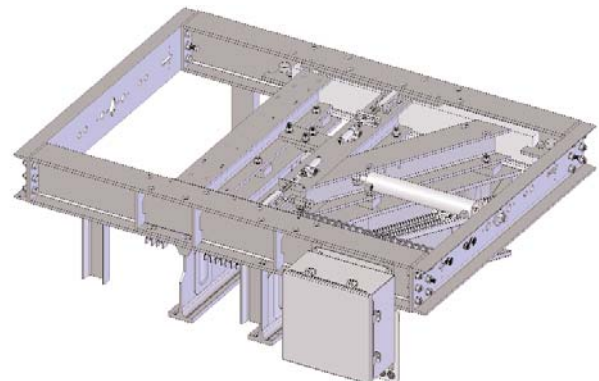
Manual



Motorized



Pneumatic



Right hand version shown. Also available in Left Hand, 3-Way, and Wye Configurations

Phone: (585) 924-6262
 Toll Free: (800) 821-0086
www.clevelandtramrail.com

593 Fishers Run
 Fishers, NY 14453-0593 USA

©2013 Gorbel Inc.
 All Rights Reserved

