



# Technical & Applications Manual

Common Terms

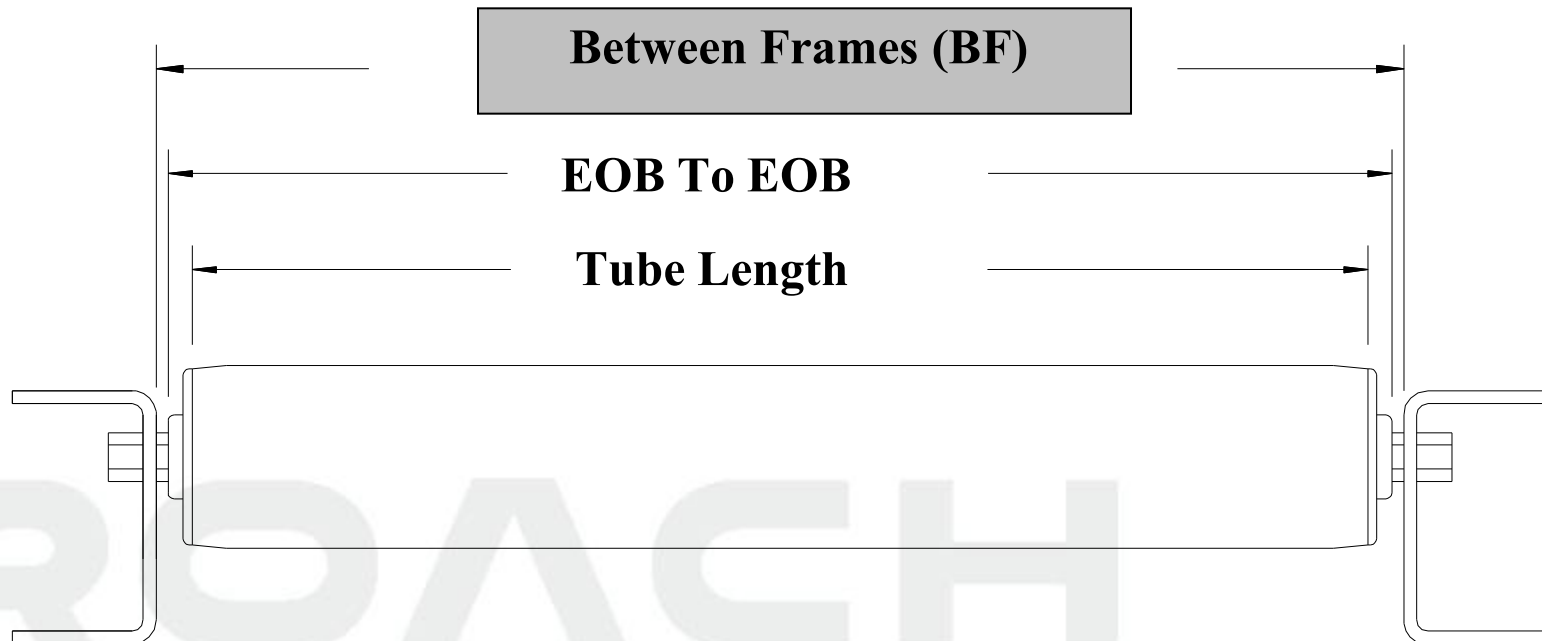
& Glossary

ROACH

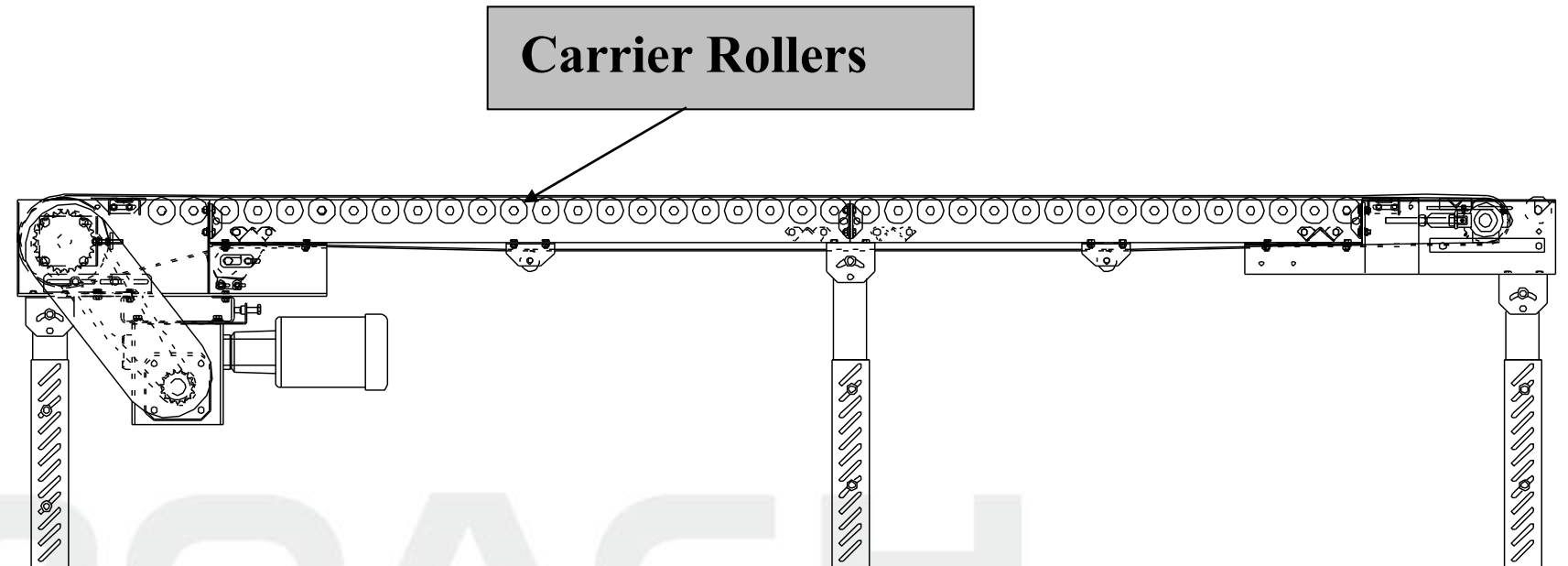
---

## COMMON TERMS

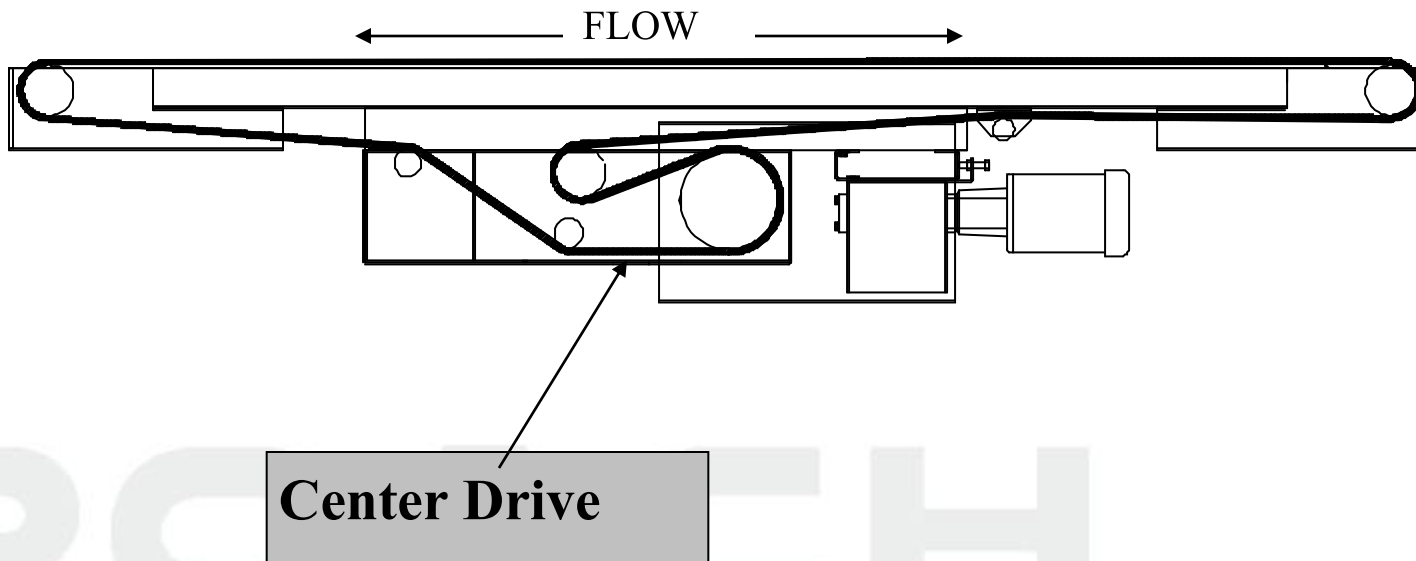
- BF: Between Frames**; also known as B/B (back-to-back) and B/R (between rails). Simply stated, the measurement inside the conveyor frame.



**CARRIER ROLLERS:** Conveyor rollers upon which the conveyor belt is supported (i.e. applies to roller bed belt conveyors).



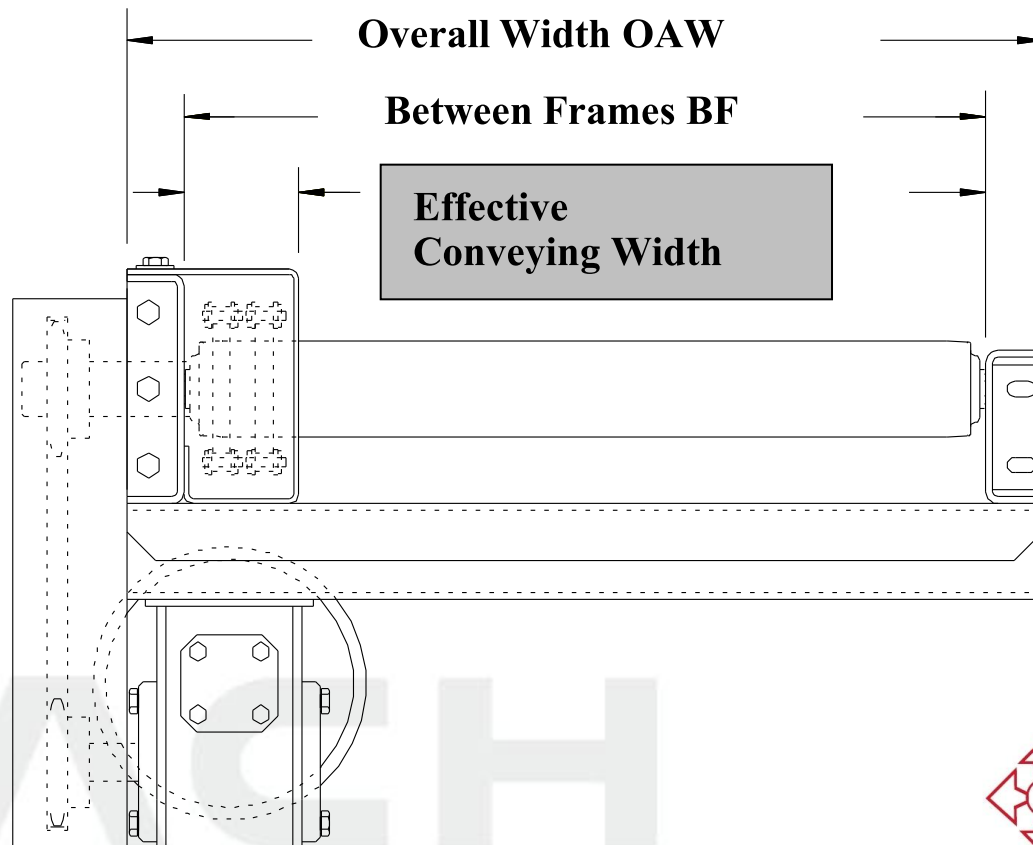
**CENTER DRIVE:** Located near center of conveyor. Center drives are used when an application requires reversible unit operation or on very long conveyors for additional belt take-up.



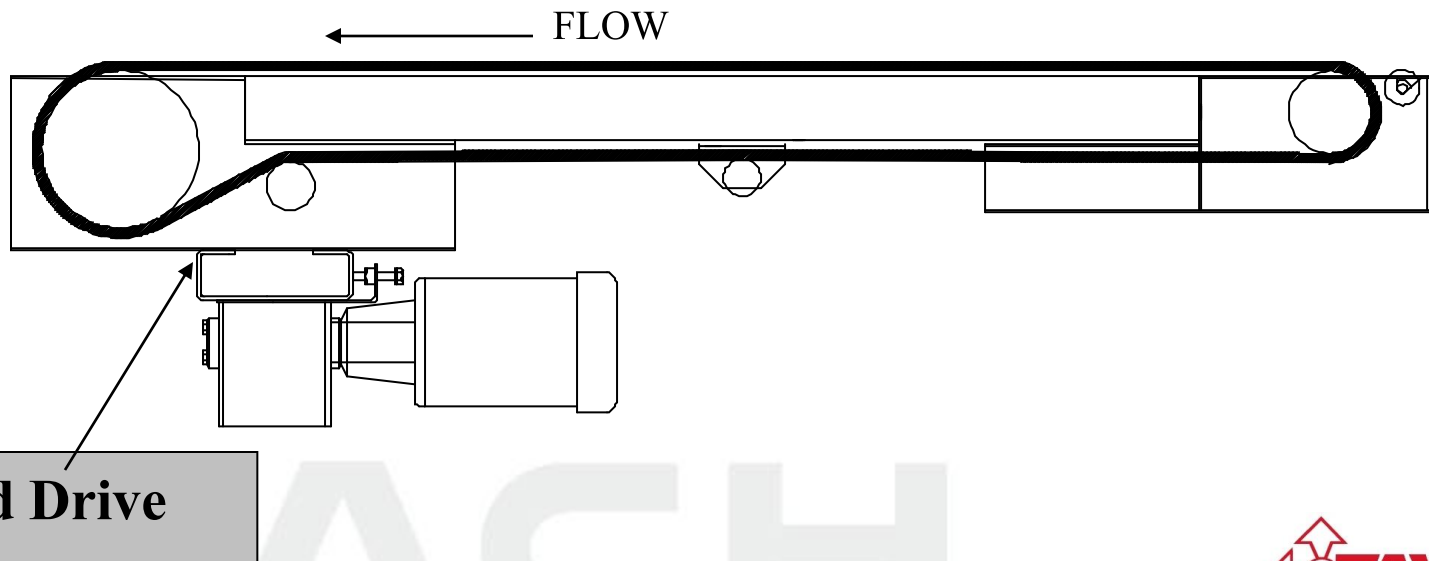
**EFFECTIVE CONVEYING WIDTH:** Dimension between side rail and inside roller guard/cover, which is also referred to as "clear" or "conveying surface"

(i.e. applies to  
chain driven

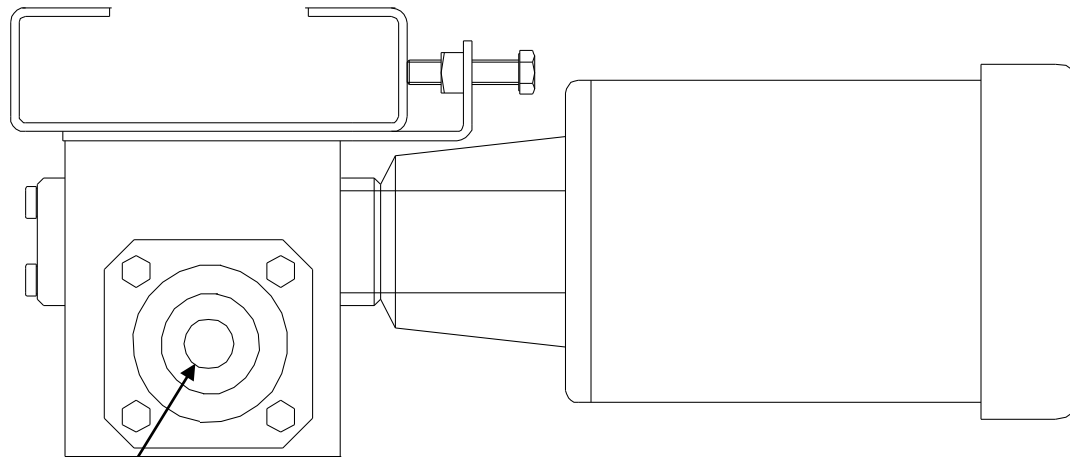
live rollers.)



**END DRIVE:** Motor and drive components are located at end of conveyor. Drive should be located so that drive or carrier belts are pulled--not pushed. End drives are used when one-direction-only operation is required.

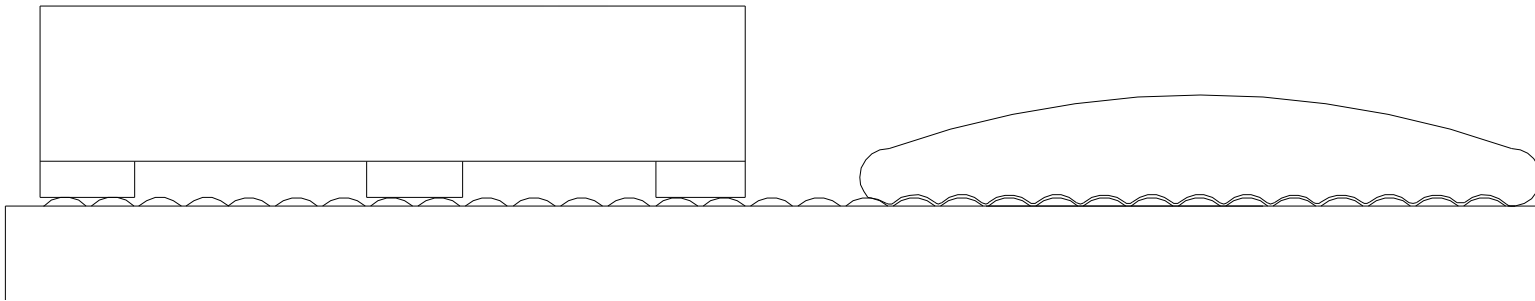


**GEAR MOTOR:** A motor and speed reducer combination where each is flanged for connection to one another and have one output shaft.



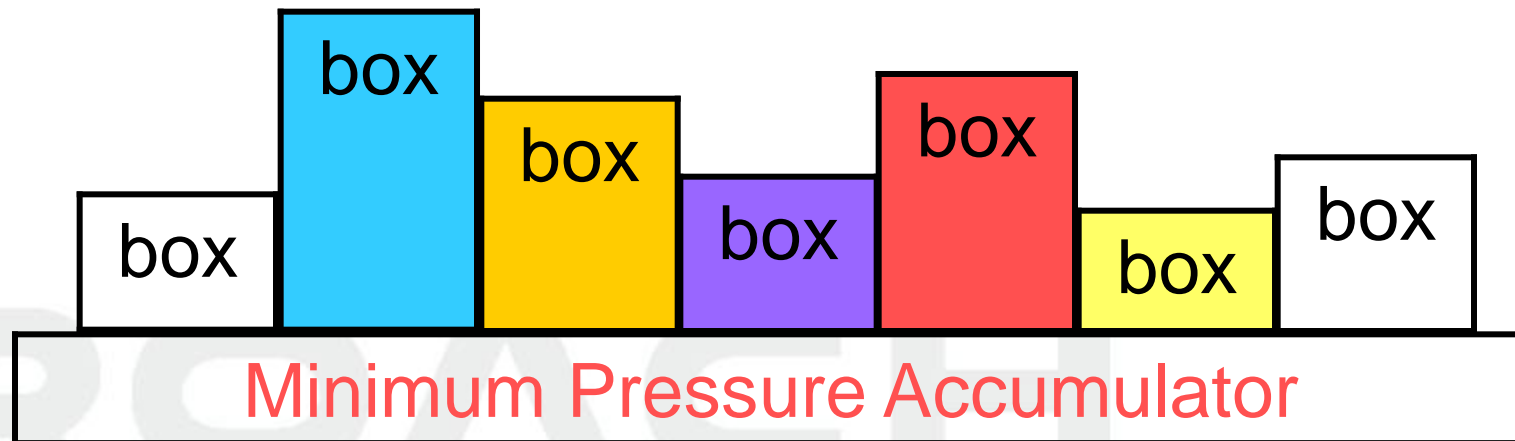
**Output Shaft**

**LIVE LOAD:** The weight of material being moved.





**MINIMUM PRESSURE ACCUMULATION CONVEYOR:** A type of conveyor designed to minimize build-up of pressure between adjacent packages or cartons. Designed to prevent damaging line pressure which can damage or “crush” packages during accumulation.



**MOTOR STARTER:** An electrical controller for accelerating a motor from rest to normal speed.



Combination Starter



Manual Starter



## **MOTORS:**

**ODP** (open drip proof) = Roach std

**TEFC** (totally enclosed fan cooled)

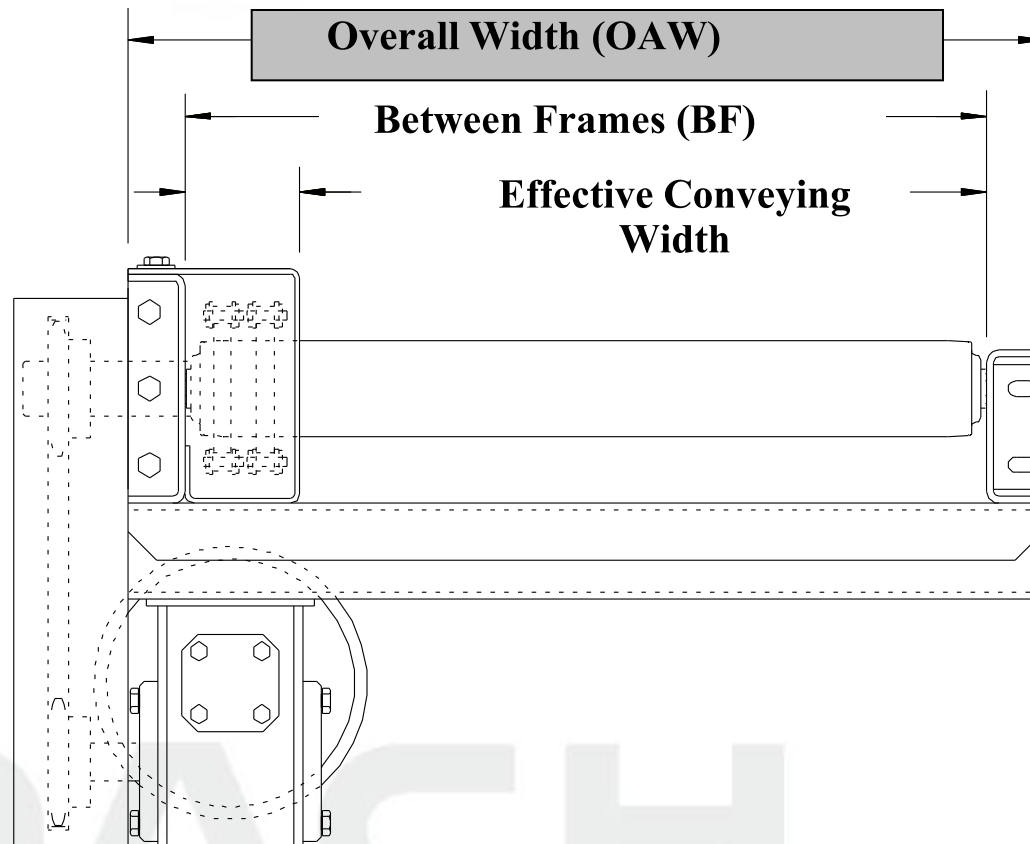
comprises over 40% of Roach motors sold

**TENV** (totally enclosed non ventilated)

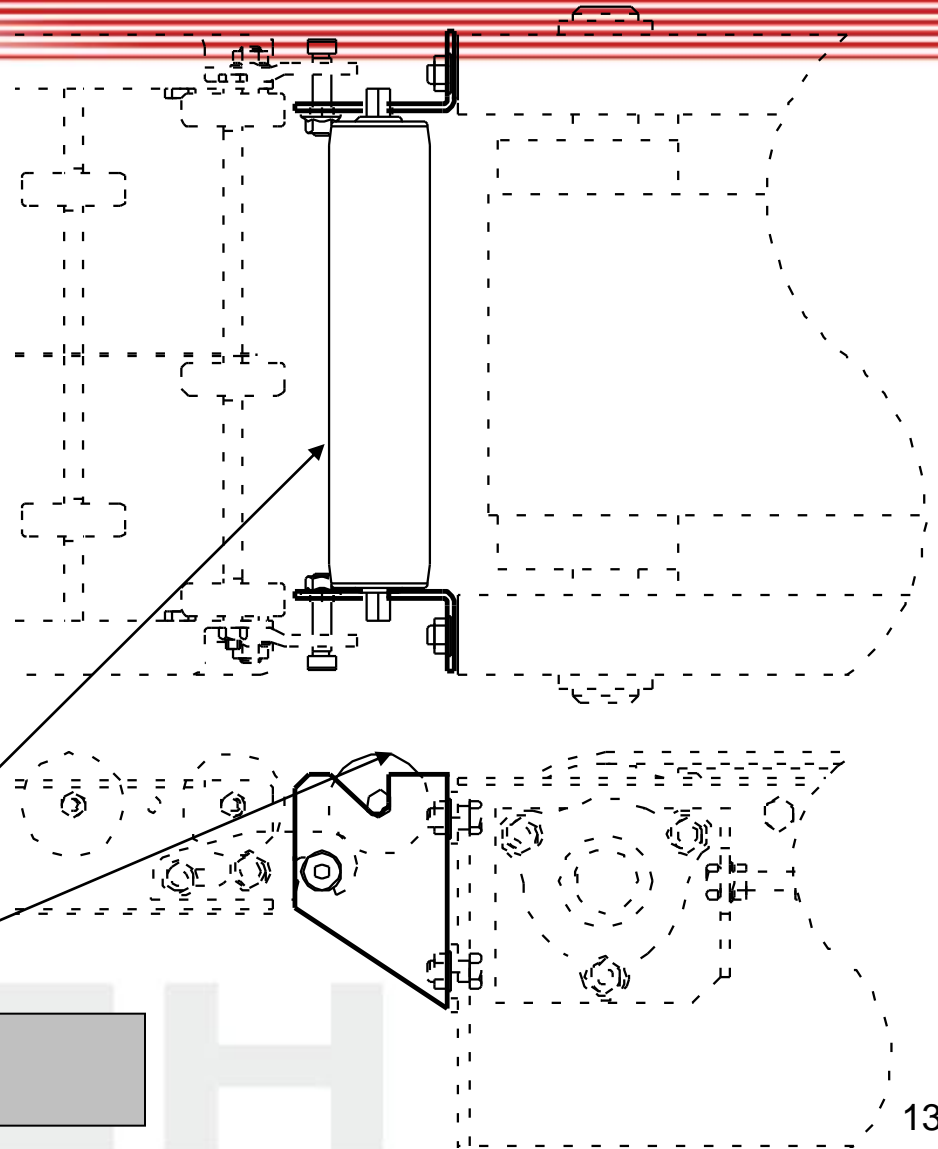
**DC** (shunt wound)

**Explosion proof** (specialty applications)

**OAW: Overall width;** Frame dimension measured to the outside of conveyor frame.

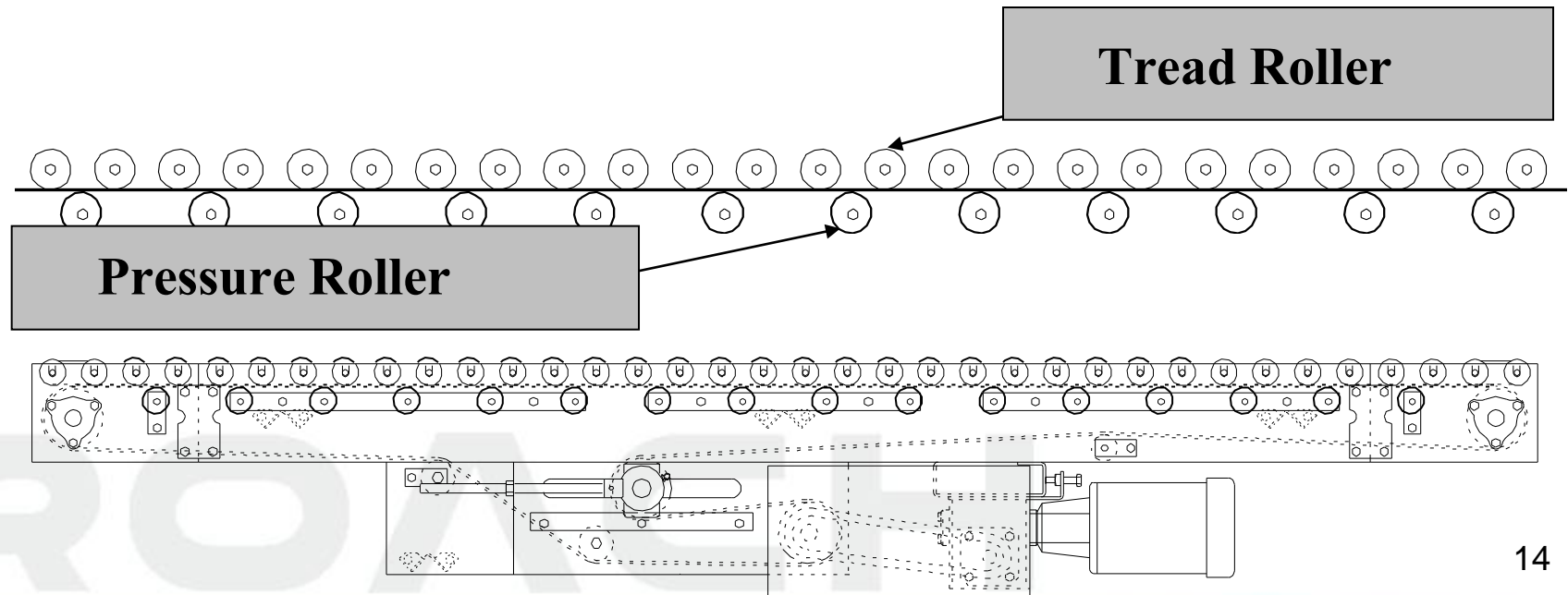


**POP-OUT ROLLER:** A special load carrying roller mounted in such a manner as to pop out when foreign objects are introduced between the belt and roller.

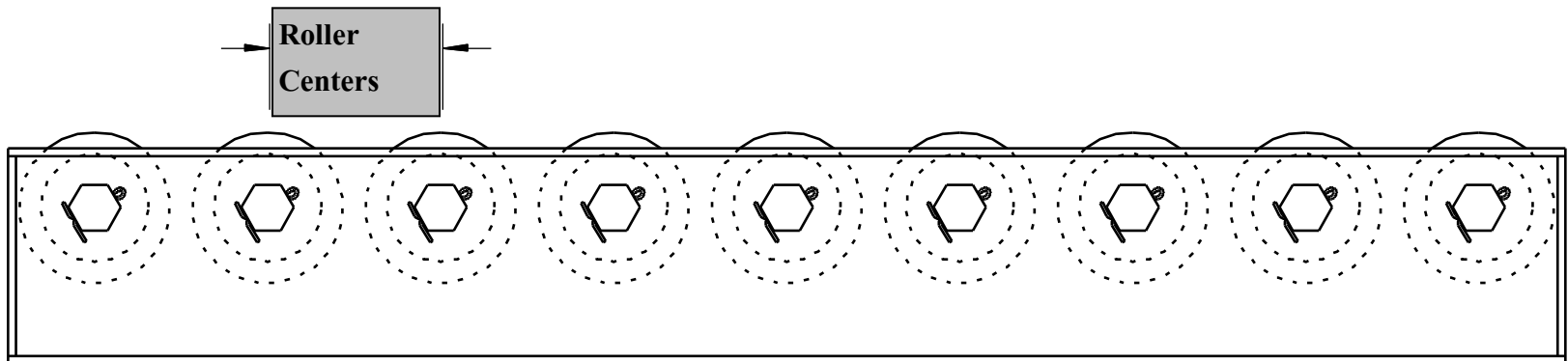


**Pop-Out Roller**

**PRESSURE ROLLER:** Roller used for holding the driving belt in contact with the load carrying rollers in a belt driven live roller. There are one-half as many pressure rollers as tread rollers. Note: In many units, pressure rollers are lighter duty than the tread rollers.



**RC: Roller Centers;** Distance between center lines of adjacent rollers. Common measurements are 1-1/2", 3", 4-1/2", 6", 8", 9" and 12".



Note: For curves, roller centers are measured at inside radius of curve, except for chain driven live roller curves, which are measured at outside radius.

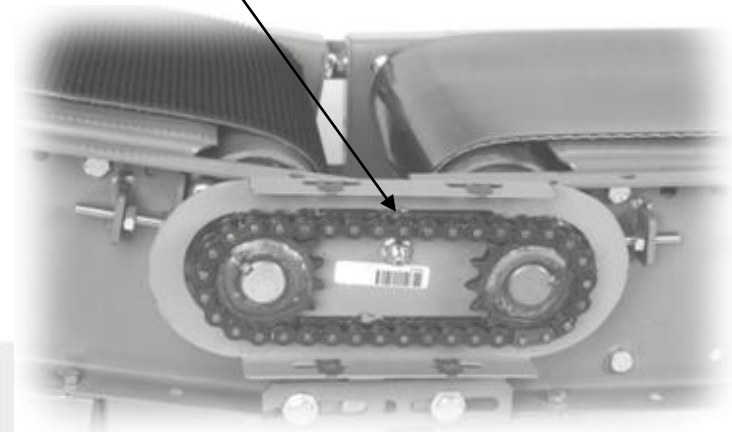
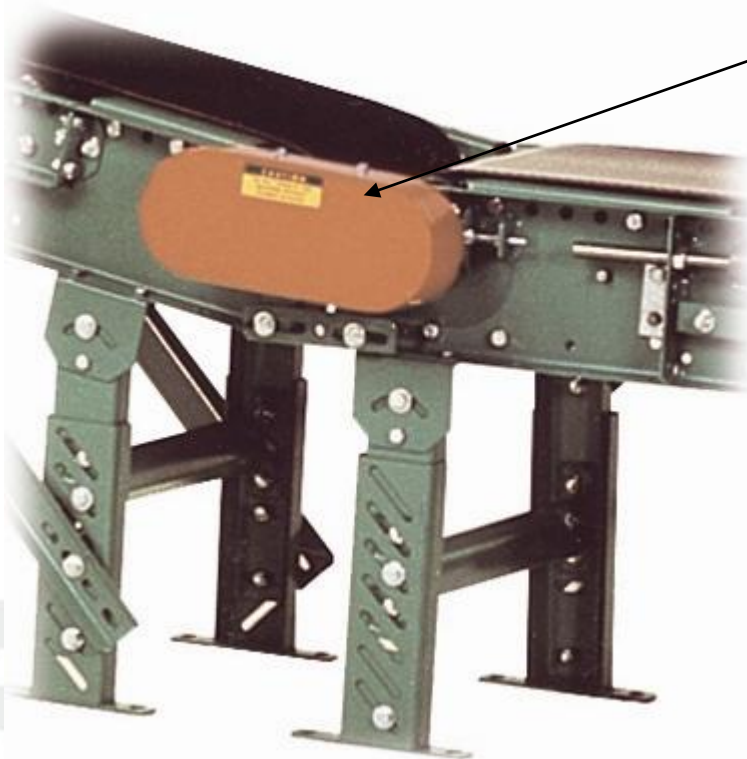
**Return Rollers:** Mounted underneath conveyor to support the return run of belt. Proper alignment or “squaring” of return rollers is a crucial element in maintaining proper belt tracking. May also be referred to as idler rollers.



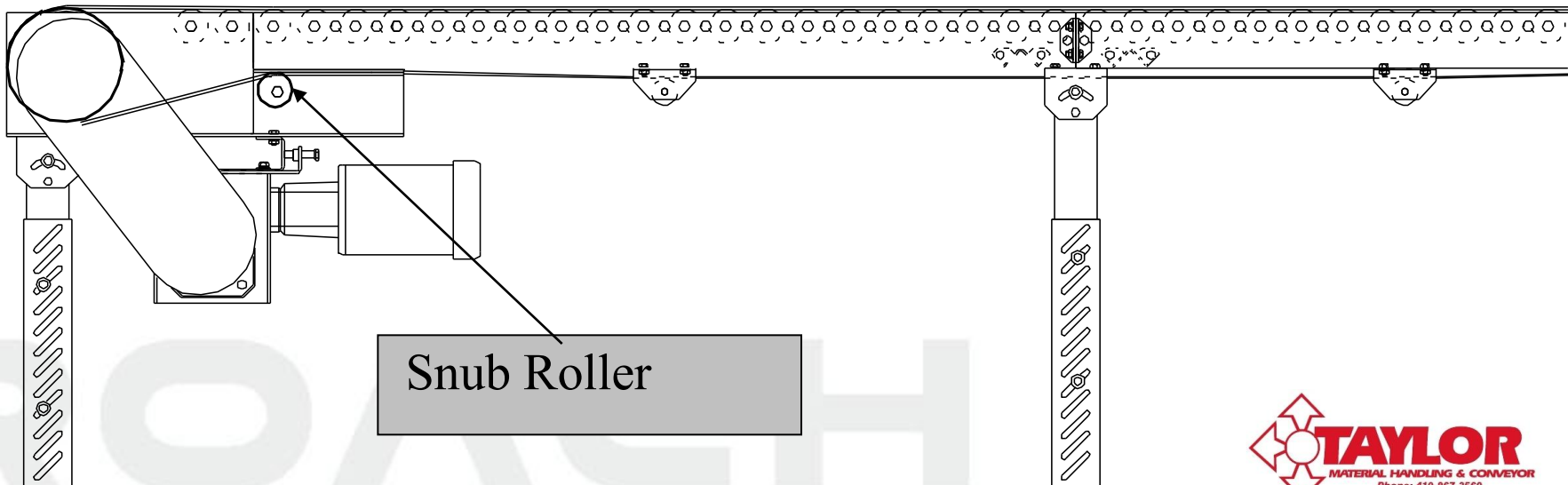


**Slave Drive:** A conveyor drive method where one conveyor is powered by another conveyor instead of having its own prime power source.

## Slave Drive Assembly



**Snub Roller/Snub Pulley:** Any roller or pulley used to increase the arc of contact between a belt and drive or tail pulley. Note: A drive or tail pulley should not be confused with a sheave. Sheaves are designed for V-belts and pulleys are designed for use with flat belts.





# Common Terms & Glossary

**TRACKING:** The process of adjusting return (or idler) rollers, pulleys and loading conditions in a manner which will correct any tendency of the belt to run other than centrally.

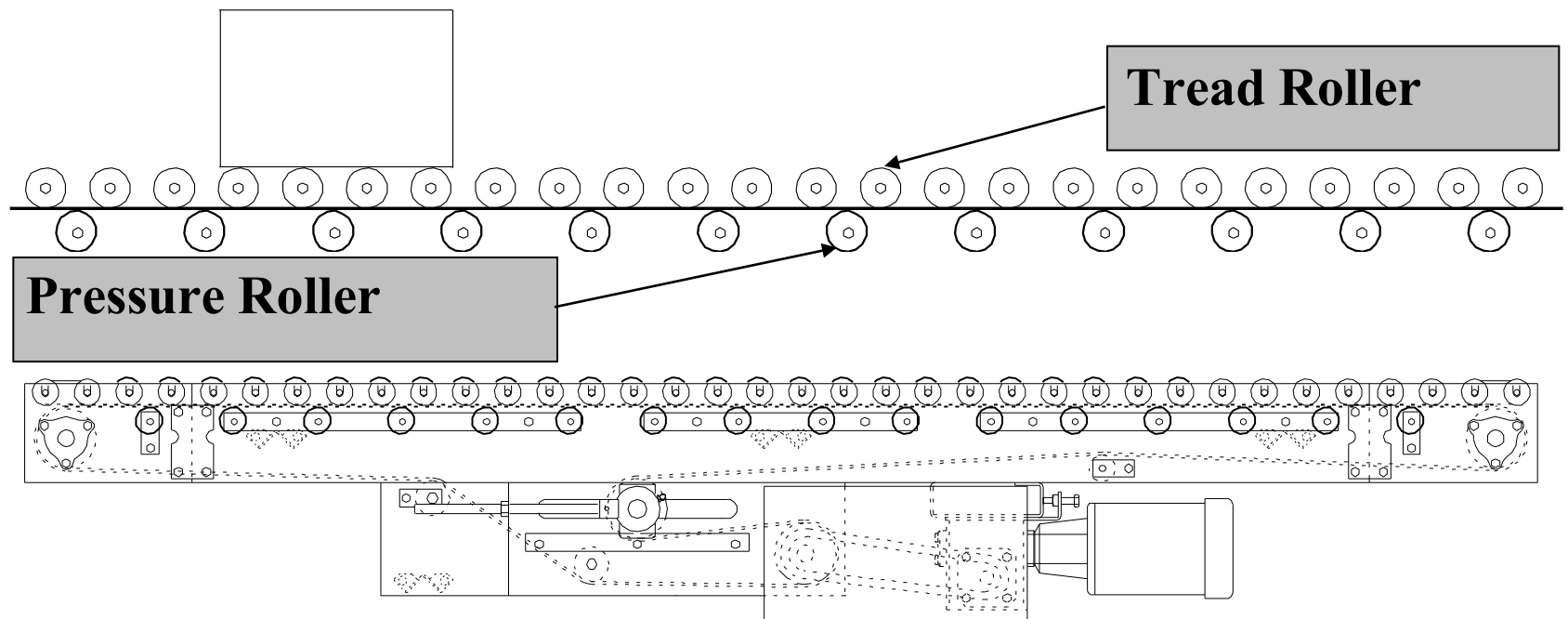
ROACH

**TRANSFER:** Any device that transfers objects onto or off of a conveyor line or from one conveyor line to another.



**Transfer**

**TREAD ROLLER:** The uppermost roller which comes in contact with the product conveyed.



## ZERO PRESSURE ACCUMULATION

**CONVEYOR:** A type of conveyor designed to eliminate build-up of pressure between adjacent packages or cartons.

