

Tilter™ Service Lift

Fast, Economical and Safe Fork Lift Maintenance

Tilt-or-Lift, Inc., the leading designer of specialty lifts for over 20 years, has tilted the scales of fork lift maintenance in your favor with the new *Tilter*™ service lift.

The *Tilter* service lift is the simple and economical solution to industrial vehicle maintenance problems. Just drive the vehicle onto the adjustable *Tilter* service lift. The lift drops down automatically, allowing easy access.

The Proper Balance of Economy and Effectiveness

The *Tilter* service lift complies with applicable ANSI and OSHA requirements. It features structural steel construction and self-locking rear legs with a manual release. The front legs are permanently locked.

The economical *Tilter* service lift is portable and available in two sizes to service a wide range of industrial vehicles. All lifts have adjustable runways, are shipped assembled and factory tested, and carry a full one-year warranty. A variety of popular options is available to increase the *Tilter* service lift's versatility.

The *Tilter* service lift; one of the fine family of fork lift service lifts available from Tilt-or-Lift, Inc., the lift specialists. There are no finer lifts available – anywhere.
“We stand under our products.”



**Manufacturers of
Fork Lift Maintenance Lifts**



Tilter™ Service Lift

Specifications

Model M-25

- Weight Capacity:
25,000 lb. G.V.W.
- Tread Dimensions:
17' - 0" X 61 1/2" X 19 5/8"
- Ramp Width: 12"
- Tread Width Adjustable:
48" X 61 1/2"
- Approximate Weight: 4200 lbs.

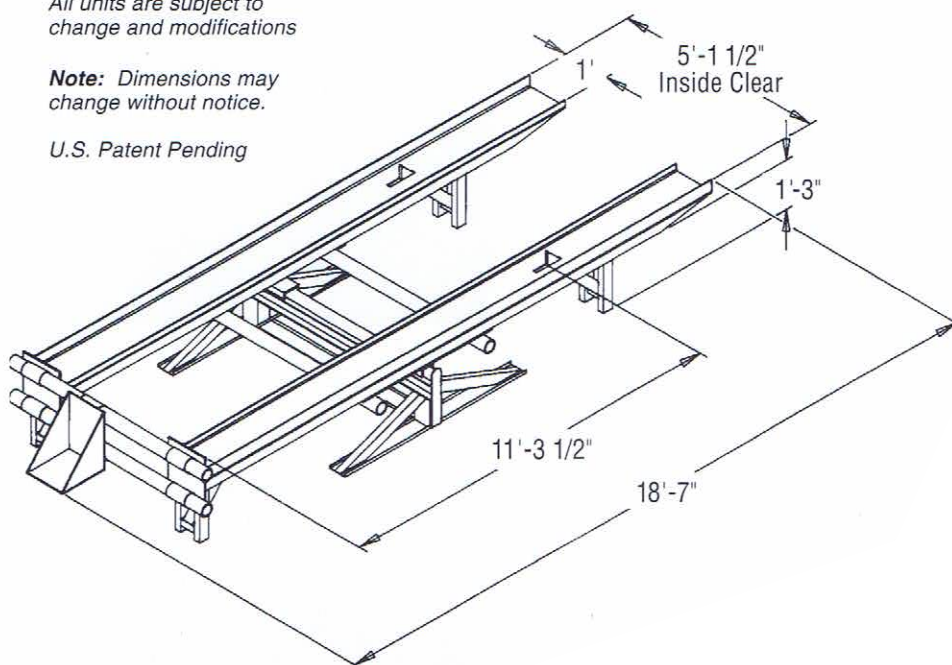
Options

- Winch
- Wheel Free Accessory
- 3-Wheel Adaptor

All units are subject to
change and modifications

Note: Dimensions may
change without notice.

U.S. Patent Pending



**Manufacturers of
Fork Lift Maintenance Lifts**

