



Specifications:

- Load: 20 lbs/square foot of belt (90 kg/m²)
- Belt Widths: 6" (152 mm) to 36" (914 mm)
- Lengths: 36" (914 mm) to 40' (12.2 m)
- Belt speed: 233 ft/min maximum (71 m/min)
- Solid urethane belting, includes Belt Scraper
- UHMW Wear strip bed plate
- Continuous TIG welded 304 stainless steel frame
- #4 Polish on all frame surfaces
- Bearing material is 400 stainless steel
- Bearing lubricant is H1 type FDA lubricant
- USDA Accepted Belting
- Meets USDA, NSF & AMI design specifications

Features & Benefits:

- Frame is designed with no horizontal surfaces for optimum cleaning. Conveyors over 10' (3,048 mm) long consist of multiple sections which are bolted together (can be welded together on site).
- Bearings are mounted in cast stainless steel housings for maximum performance in washdown environments.
- Solid UHMW wear strips are easily lifted out of the frame without tools to minimize cleaning time.
- The tool-less tip up pulley allows conveyor end to be lifted easily for quick access to inside of conveyor for cleaning.
- Solid Urethane belt is sprocket driven for consistent performance and has no bacteria harboring hinges or pins.
- Open Belt Tracking Flanges and solid UHMW idler pucks create access to pulleys.
- Return Belt Supports are 4" UHMW Rollers and are easily removed without tools for effective cleaning.
- Conveyor is designed to withstand high pressure (100-1,500 psi) spray and chlorinated solutions.
- Drive sprockets are located on a 1.5" square stainless steel shaft without fasteners to provide optimum drive strength and cleanability.
- Frame cut-outs (optional) are available to allow spraying the inside of the conveyor without lifting the belt.
- Belt lifters (optional) raise the belt from the wear strips by simply pulling an external lever for fast access and effective cleaning.
- TIG welded stand offs keep fasteners out of the food zone.



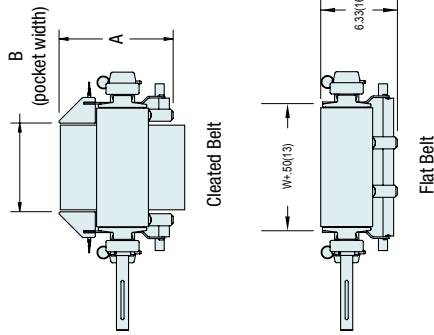
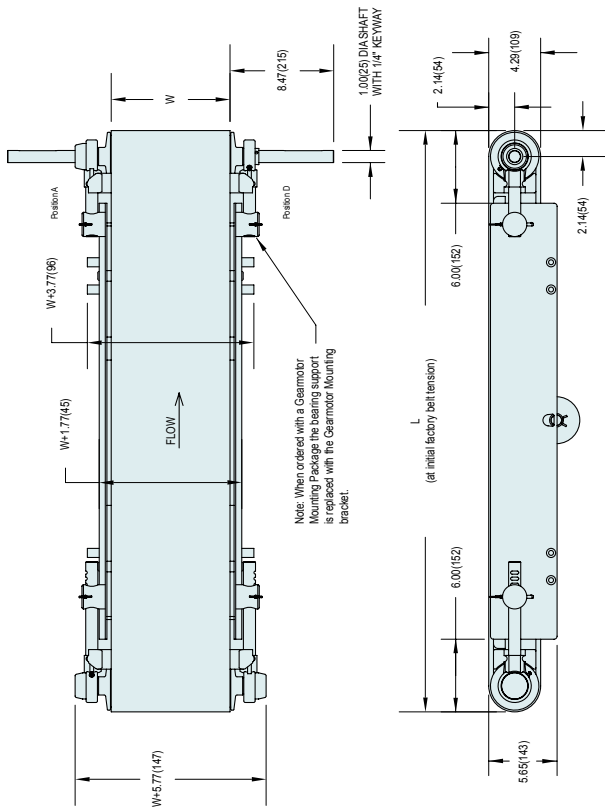
Belt Scraper

UHMW blade removes build-up & is easily adjusted



Positive Drive

AQUAPRUF® 7600 ULTIMATE SERIES: POSITIVE DRIVEN BELT



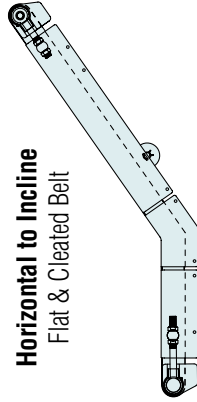
W = Conveyor Belt Width Dim = in (mm)

CONFIGURATIONS AVAILABLE

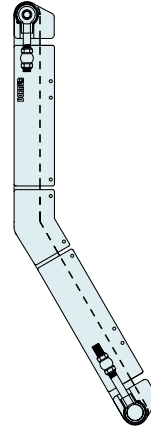
Straight
Flat & Cleated Belt



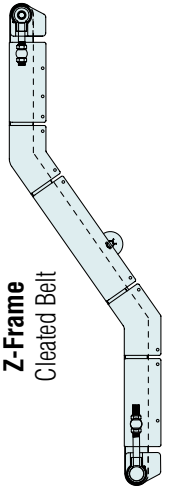
Horizontal to Incline
Flat & Cleated Belt



Nose-Over
Flat & Cleated Belt



Z-Frame
Cleated Belt



STANDARD OPTIONS



Belt Lifters

For easy cleaning on wide or long conveyors.



Frame Cut-Out

Allows access for internal frame washing.

For more information, go to www.dorner.com. Call 800.397.8664 or 262.367.7600.
Due to the wide variety of drive set ups and applications, point of installation guarding is the responsibility of the end user.

