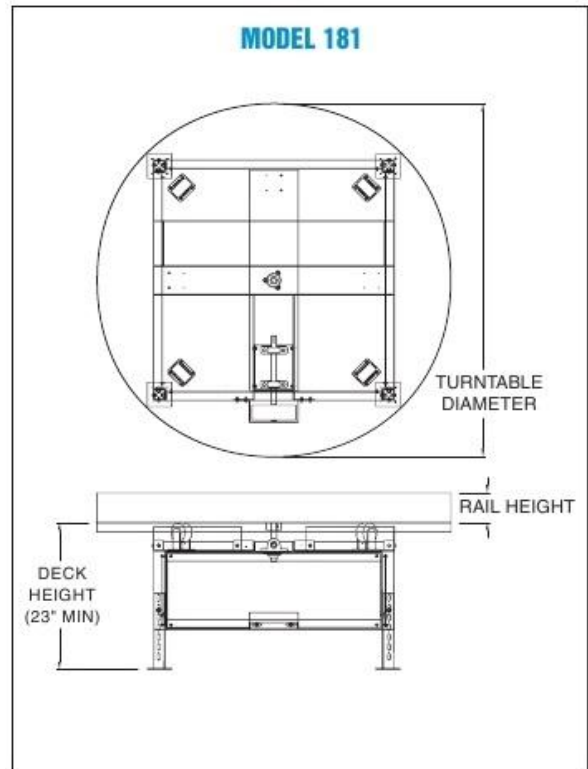




Taylor Product
Bulletin #AT-1501

Model 181 Turntables



Standard Specifications

- Standard Table Diameters: 3' to 8'
- Standard Speed: 1-3 Revolutions per Minute
- Standard Motor: 1/4 HP 90V DC Motor and DC Controller
- Standard Drive: Bottom Mount
- Standard Siderails: 6" High Rotating
- Bearings: Grease Sealed
- Standard Supports: 30" Elevation Top of Belt