

STRAIGHT ROLLERS



1 in. O.D. x 16 ga. Rollers

| Roller Part Number | | Tube Material | Axle | Drive Options | Bearing Part Number |
|--------------------|--------------|---------------|-----------|---------------|---------------------|
| Spring Retained | Pin Retained | | | | |
| 29933 | Upon Request | Mild Steel | 1/4 Dia. | Gravity | 102245-O |
| 38246 | 29934 | Mild Steel | 5/16 Dia. | Gravity | 102272-O |
| 20747 | 20677 | Mild Steel | 5/16 Hex | Gravity | 102152-O |
| 44983 | Upon Request | Galvanized | 5/16 Hex | Gravity | |

*Roller 20747 stock options available.

Roller Capacity Chart (lbs.)*

| Between Frame (BF) Inches | Bearing Part Number | | |
|---------------------------|---------------------|----------|----------|
| | 102245-O | 102272-O | 102152-O |
| 6 | 60 | 60 | 60 |
| 9 | 60 | 60 | 60 |
| 12 | 59 | 59 | 59 |
| 15 | 59 | 59 | 59 |
| 18 | 59 | 59 | 59 |
| 21 | 59 | 59 | 59 |
| 24 | 51 | 59 | 59 |
| 27 | 43 | 59 | 59 |
| 30 | 37 | 58 | 58 |
| 33 | 31 | 58 | 58 |
| 36 | 25 | 58 | 58 |
| 39 | 20 | 58 | 58 |

1 in. Pipe Rollers (1.315 in. O.D.)

| Roller Part Number | | Tube Material | Axle | Drive Options | Bearing Part Number |
|--------------------|--------------|---------------|----------|---------------|---------------------|
| Spring Retained | Pin Retained | | | | |
| 44849 | Upon Request | SCH 40 PVC** | 7/16 Hex | Gravity | 102177-O |

Roller Capacity Chart (lbs.)*

| Between Frame (BF) Inches | Bearing Part Number |
|---------------------------|--------------------------|
| | 102177-O SCH 40 PVC** |
| 6 | 150 |
| 9 | 92 |
| 12 | 67 |
| 15 | 53 |
| 18 | 44 |
| 21 | 37 |
| 24 | 29 |
| 27 | 23 |
| 30 | 18 |
| 33 | 15 |
| 36 | 12 |
| 39 | 10 |

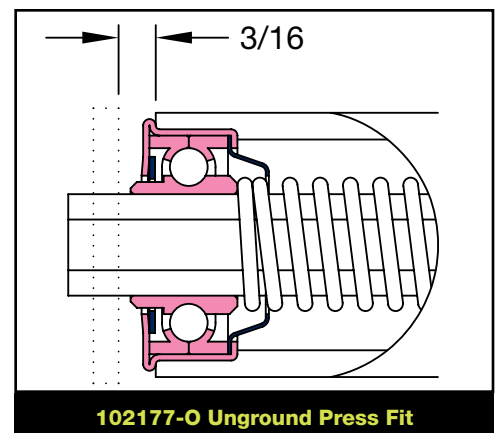
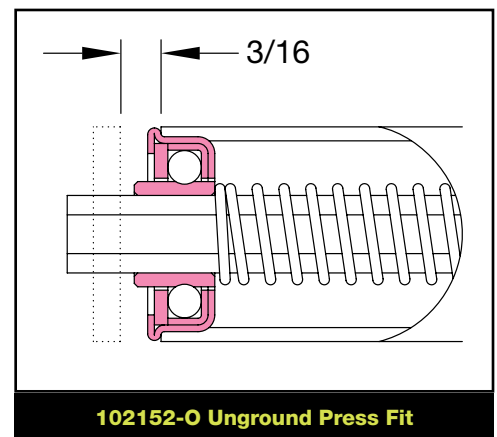
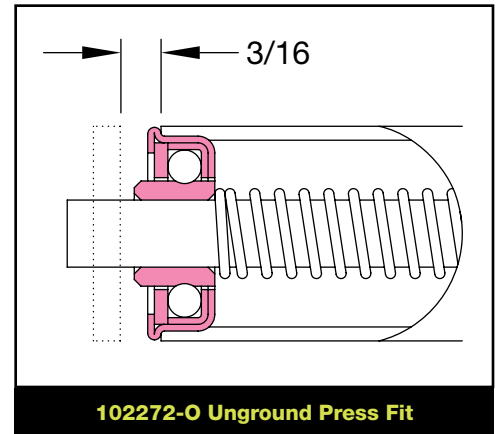
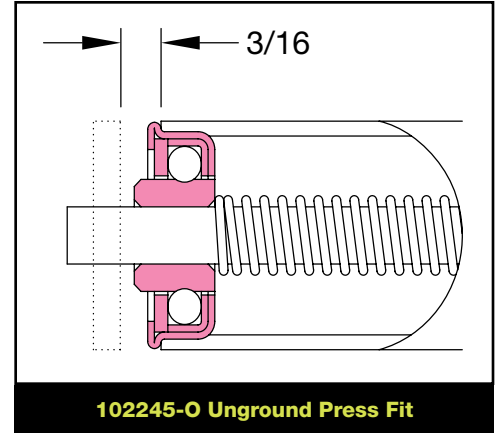


*Larger Between Frames and higher capacities may be achieved with a center support puck.

*Roller Between Frame lengths available between values shown in the table.

*Roller Between Frames can be shorter than values shown utilizing pin retention.

**PVC Pipe is industrial grade. At longer lengths T.I.R. cannot be guaranteed.



*The dimension above include 1/16" clearance between the extension on the bearing and the side frame at each end.



Standard Part Numbering System

Example: 27369 - 17
 Roller Part Number BF