

# MODEL 200 Standard Duty Slider Bed

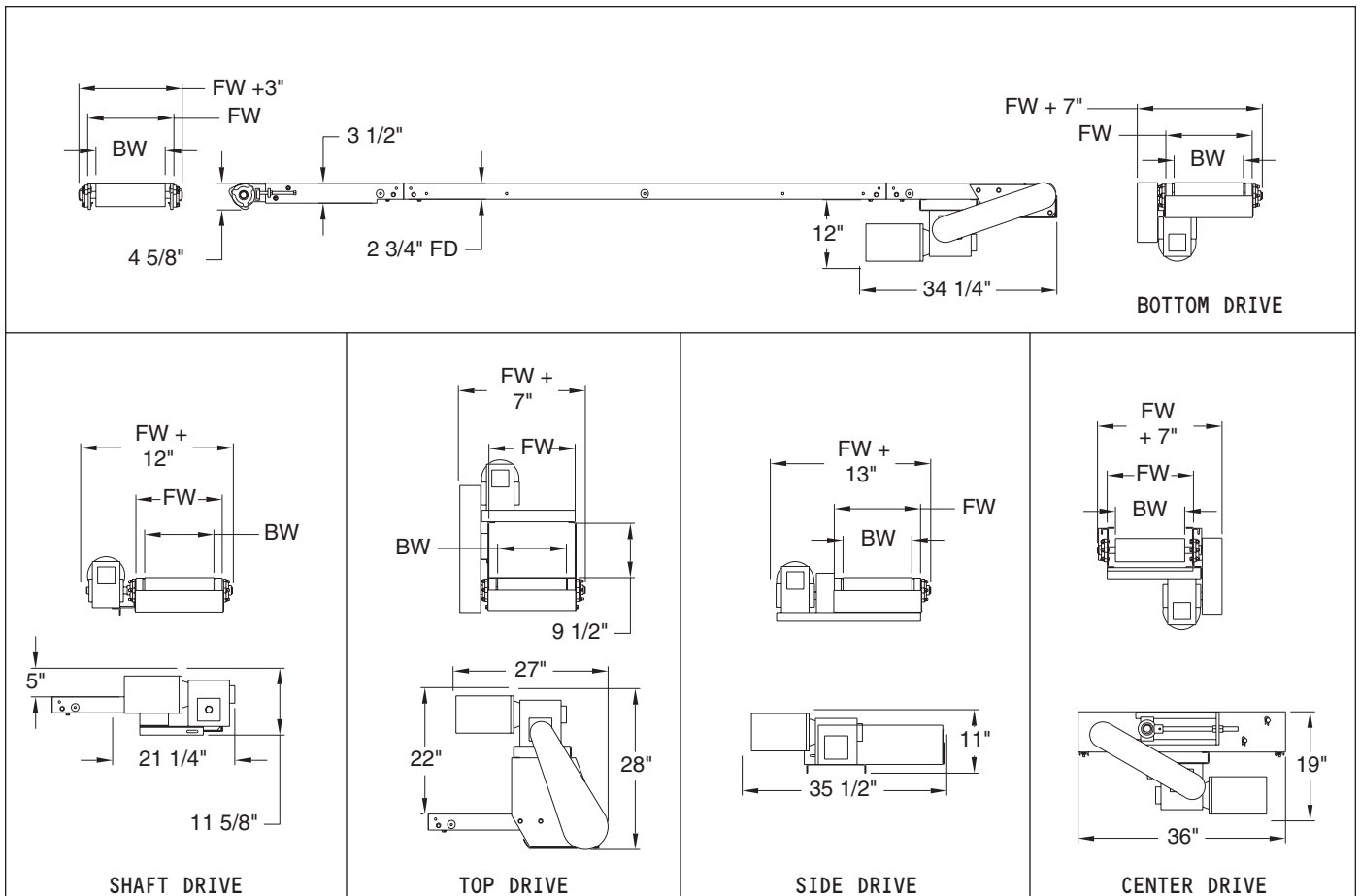


This is an economical shallow frame conveyor. The shallow frame is designed to fit into tight spaces other slider beds can't. It's built for low maintenance operation in shorter and narrower light duty production and packaging operations.



Uptime Express – 24 hour widths are shaded in blue.

<b>Belt Width:</b>	4"	6"	8"	10"	12"	14"	16"	18"	20"	24"	30"
<b>Frame Width:</b>	7"	11"	11"	15"	15"	21-1/2"	21-1/2"	21-1/2"	28"	28"	34"



# MODEL 200 Standard Duty Slider Bed

## Standard Specifications

**Widths:** Up to 30"

**Lengths:** 5'– 40' (6" Increments)

Standard Length is 5', Two Piece Bolt Together

**Standard Speed:** 60 FPM

**Standard Motor:** 1/3 HP 230/460/3/60 TEFC

**Standard Drive:** Bottom Mount, Right Side

**Standard Belt:** Black PVC 120, Clipper Lacing

**Drive Pulley:** 4" Dia Crown Face Rubber Lagged x 1-3/16"

**Infeed Pulley:** 4" Dia Crown Face Take Up x 1-3/16"

**Frame:** 2-3/4" Deep x 12 Gauge

**Standard Supports:** 30" Elevation Top of Belt

## Horizontal Conveyor Comparison Chart

**Horizontal Conveyors** — These units are used to convey everything from boxes to small pallets.

MODEL	DESCRIPTION	FRAME GAUGE	FRAME DEPTH	DRIVE PULLEY SIZE	DRIVE PULLEY TYPE*	DRIVE PULLEY SHAFT. DIA.	INFEED PULLEY SIZE	INFEED PULLEY TYPE*	INFEED PULLEY SHAFT. DIA.	STANDARD BELT	STD. DRIVE	OTHER
200	Standard duty slider bed	12	2.75"	4.625"	CFRL pulley	1.1875"	4"	CF pulley	1.1875"	2 ply black PVC 120	Bottom	Base length = 5'
210	Medium duty slider bed	12	2.75"	8.625"	CFRL pulley	1.4375"	4"	CF pulley	1.1875"	2 ply black PVC 120	Bottom	Base length = 5'
220	Medium – heavy duty slider bed	12	5.5"	8.625"	CFRL pulley	1.4375"	4"	CF pulley	1.1875"	2 ply black PVC 120	Bottom	Base length = 5'
221	Heavy duty slider bed	12	5.5"	8.625"	CFRL pulley	1.6875"	4"	CF pulley	1.4375"	2 ply black PVC 120	Bottom	Heavy shaft M220
301	Standard duty V-guided slider bed	12	6.625"	4.625"	FFRL "A" section	1.1875"	4"	FF "A" section	1.1875"	2 ply black PVC 120 "A" section V-guided	Bottom	V-guided deep frame M200
311	Medium duty V-guided slider bed	12	6.625"	8.625"	FFRL "A" section	1.4375"	4"	FF "A" section	1.1875"	2 ply black PVC 120 "A" section V-guided	Bottom	V-guided deep frame M220
321	Heavy Duty V-guided slider bed	12	6.625"	8.625"	FFRL "A" section	1.6875"	4"	FF "A" section	1.4375"	2 ply black PVC 120 "A" section V-guided	Bottom	Heavy shaft M311
640	Heavy duty belt over roller bed	12	6.5"	8.625"	CFRL pulley	1.4375"	4"	CF pulley	1.1875"	2 ply black PVC 120	Bottom @ dis.	Rollers – 2" dia. x 16 ga. x .4375" hex on 6" centers

\*BM = Bottom Mount; CF = Crown Faced; CDBM = Center Drive Bottom Mount; CH = Channel; FF = Flat Faced; RL = Rubber Lagged; RA = Right Angle; Std = Standard

## Unit Weights (Shipping Weights – lbs.)

BELT WIDTHS	4"	6"	8"	10"	12"	16"	18"	20"	24"	30"
<b>LENGTHS</b>										
5'	208	223	231	252	257	285	290	317	327	347
10'	238	263	271	302	307	350	355	387	397	432
15'	315	352	360	401	406	465	470	503	513	558
20'	345	392	400	451	456	530	535	573	583	643
25'	422	481	489	550	555	645	650	689	699	769
30'	452	521	529	600	605	710	715	759	769	854
35'	529	610	618	699	704	825	830	875	885	980
40'	559	650	658	749	754	890	895	945	955	1065

Conveyor weights include standard drive and supports. Accessories, crating etc. are not included.

## Skid Dimensions

**Model 200** — Note: these are general guidelines for freight rate estimates only. Final dimensions may vary.

BELT WIDTHS	4"	6"	8"	10"	12"	18"	20"	24"	30"
Bottom, Top & Center Mount <b>Skid Width</b>	25"	25"	25"	25"	25"	30"	30"	41"	41"
Shaft and Side Mount <b>Skid Width</b>	25"	25"	25"	30"	30"	41"	41"	41"	46"

**Skid Length** – Model M200's ship knocked down on 11' long skids. Use this length for frt. estimates. Up to 50' of conveyor can be stacked on one skid.