

BRECO *flex* CO., L.L.C.

High Precision Drive Components



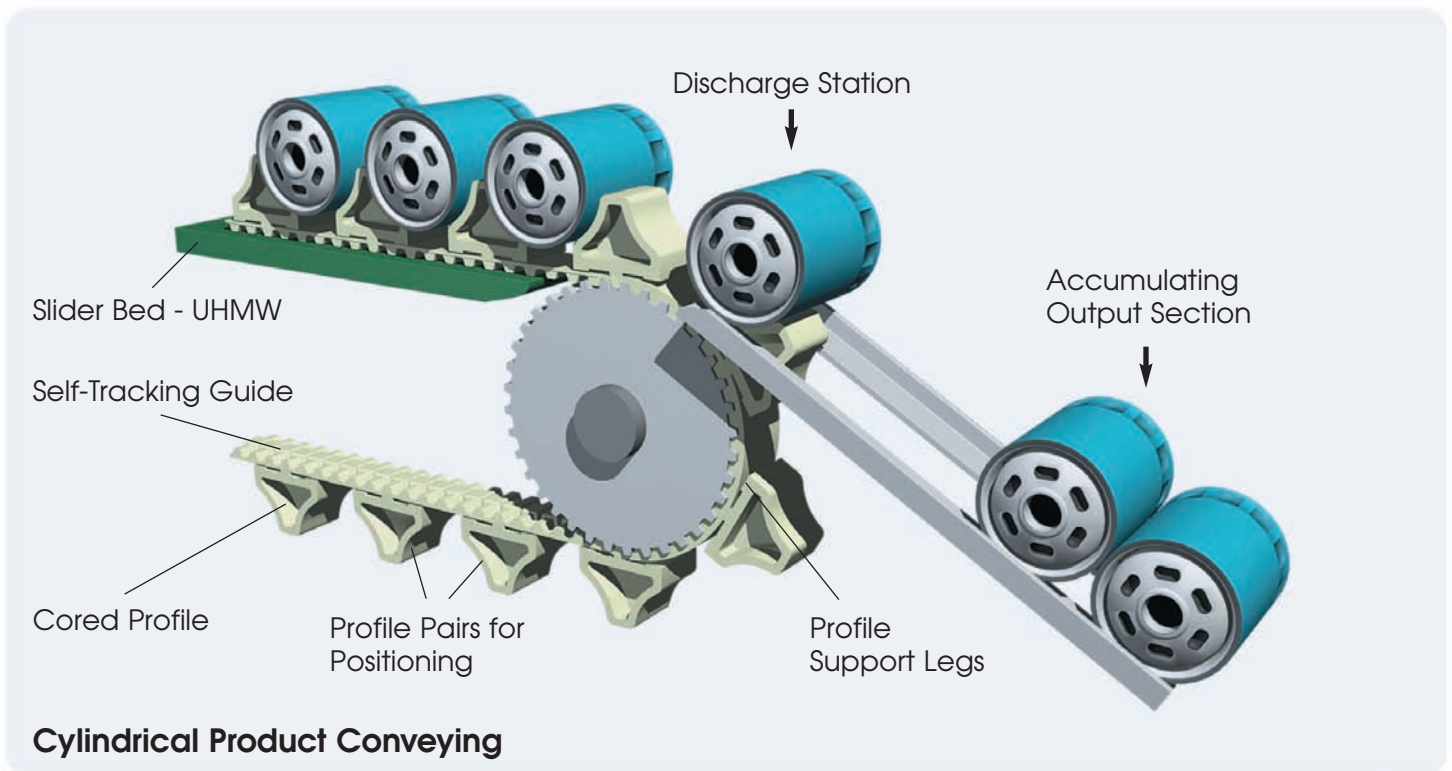
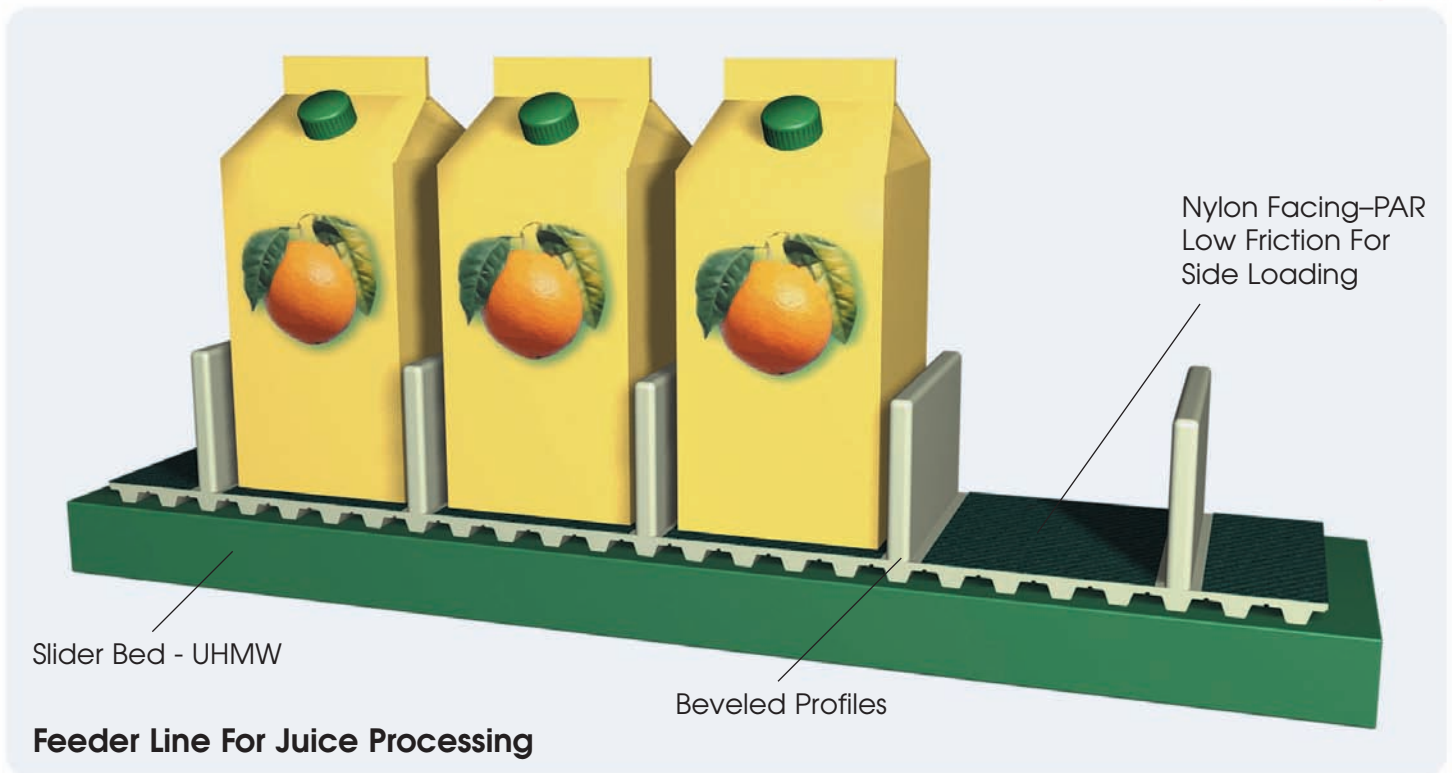
B212

POLYURETHANE TIMING BELTS

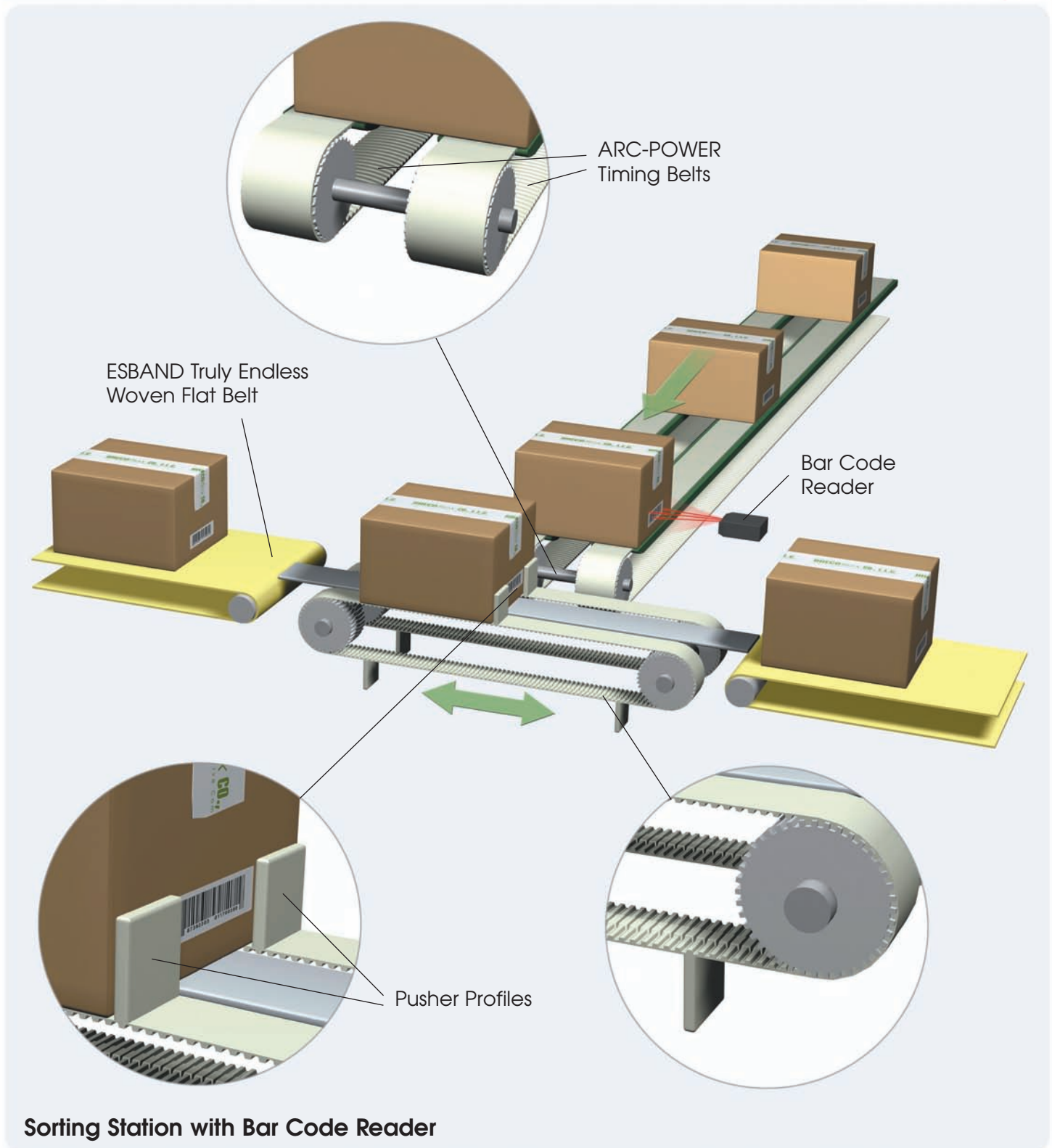
POLYURETHANE TIMING BELTS



APPLICATION EXAMPLES



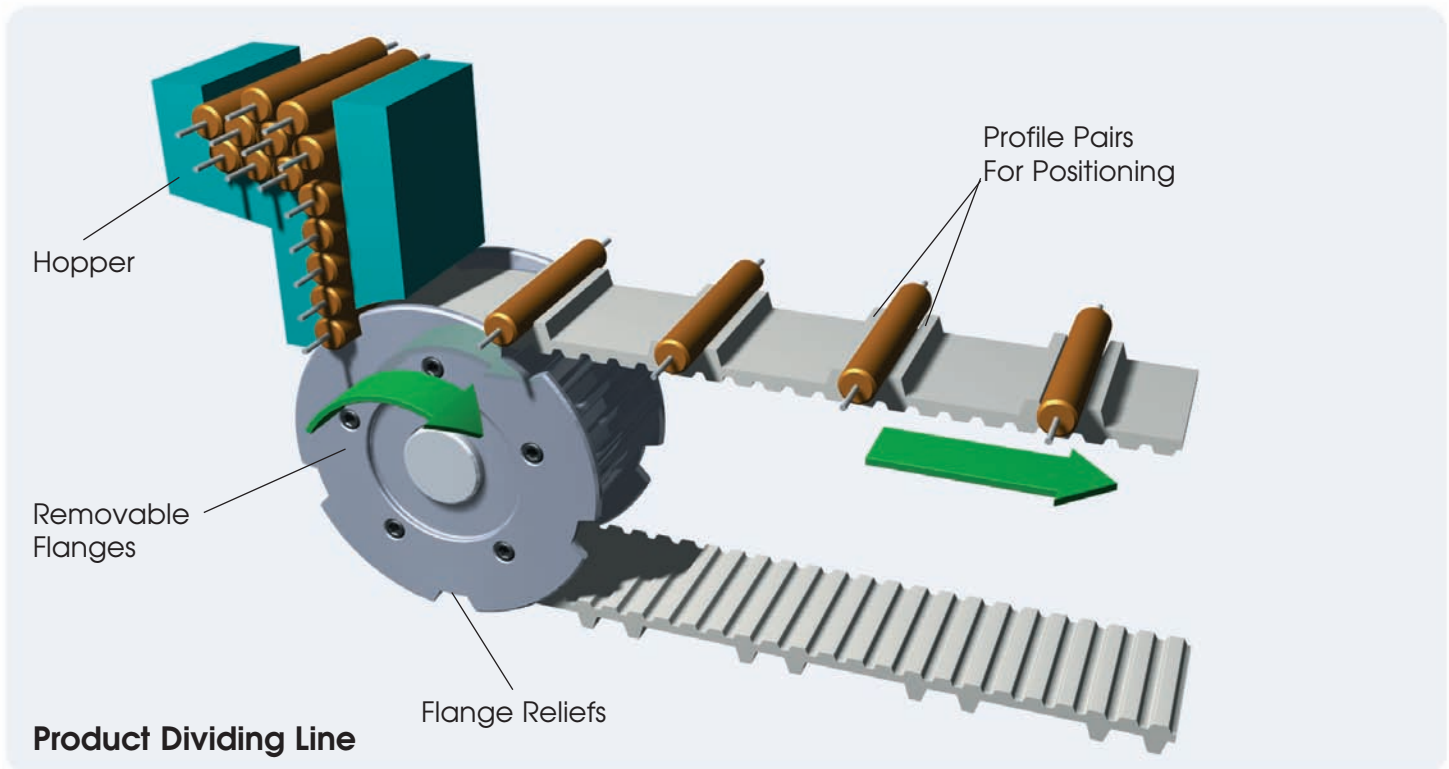
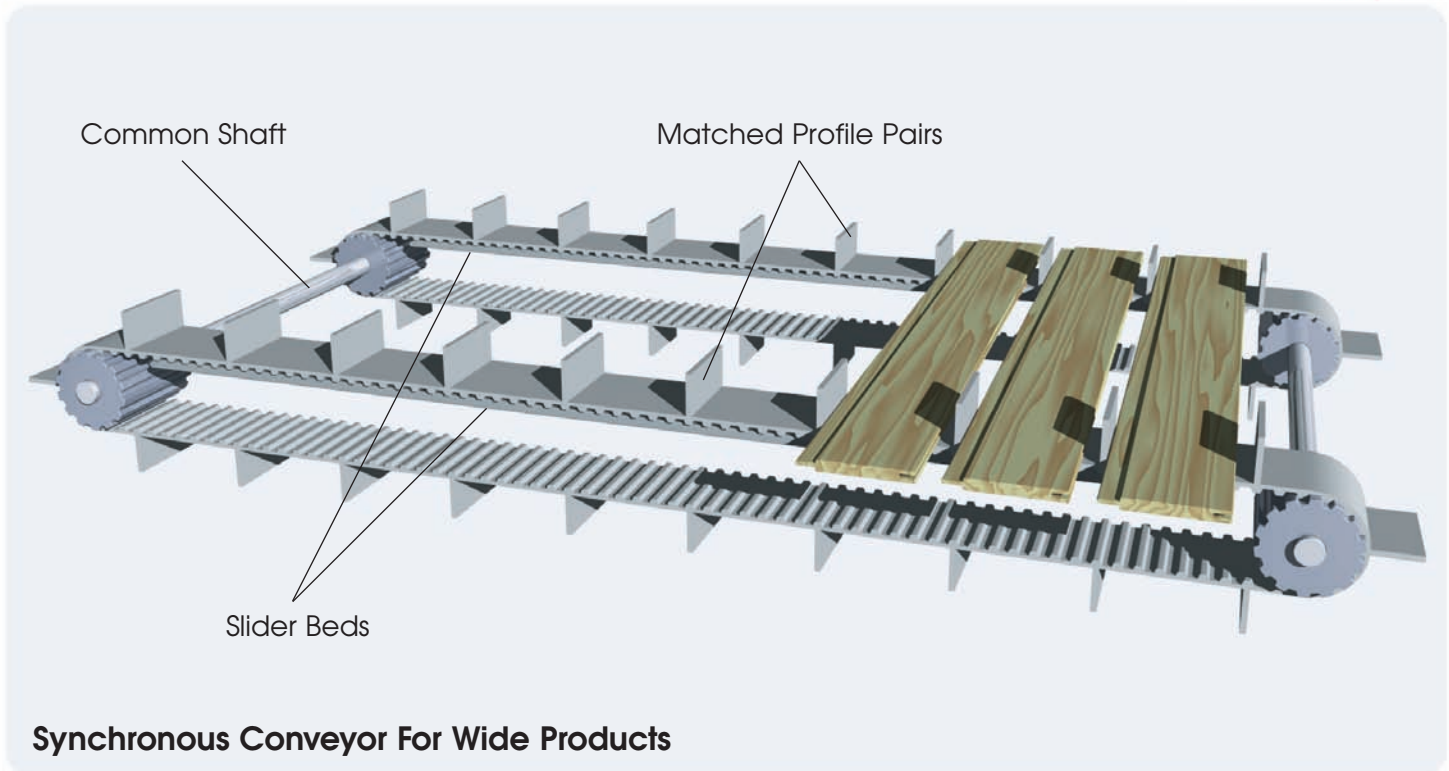
APPLICATION EXAMPLES



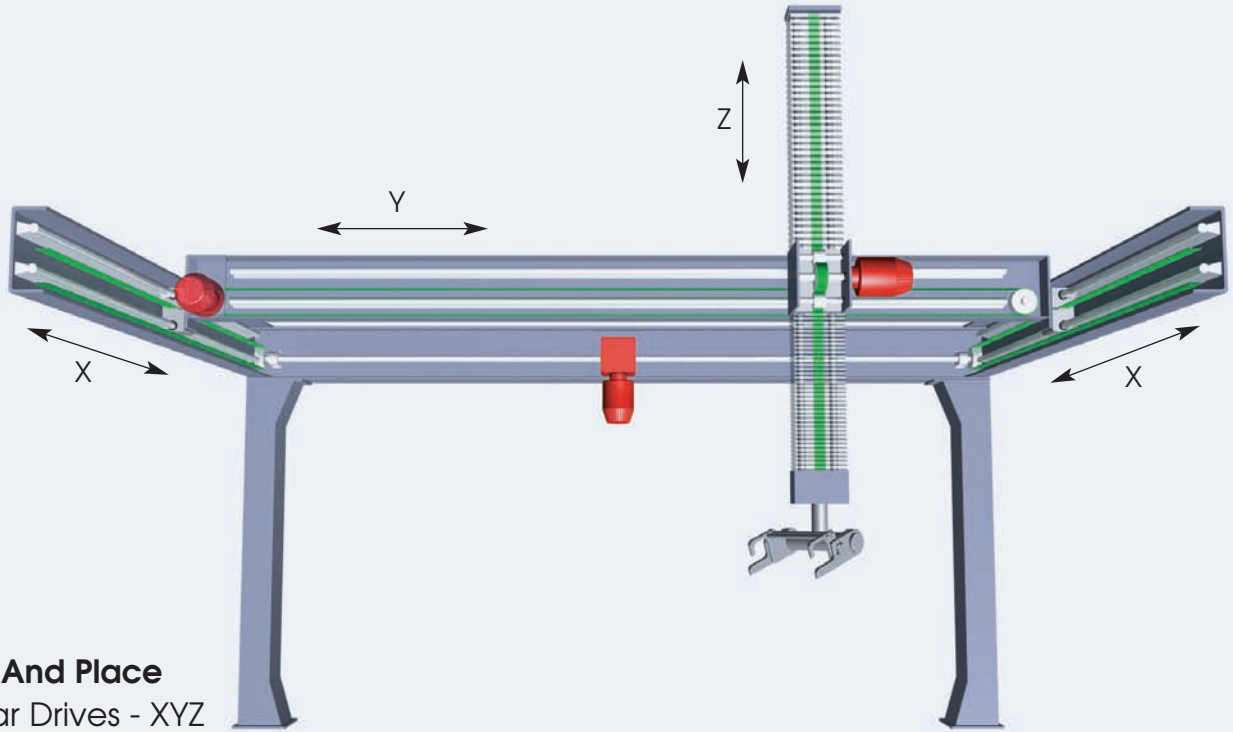
POLYURETHANE TIMING BELTS



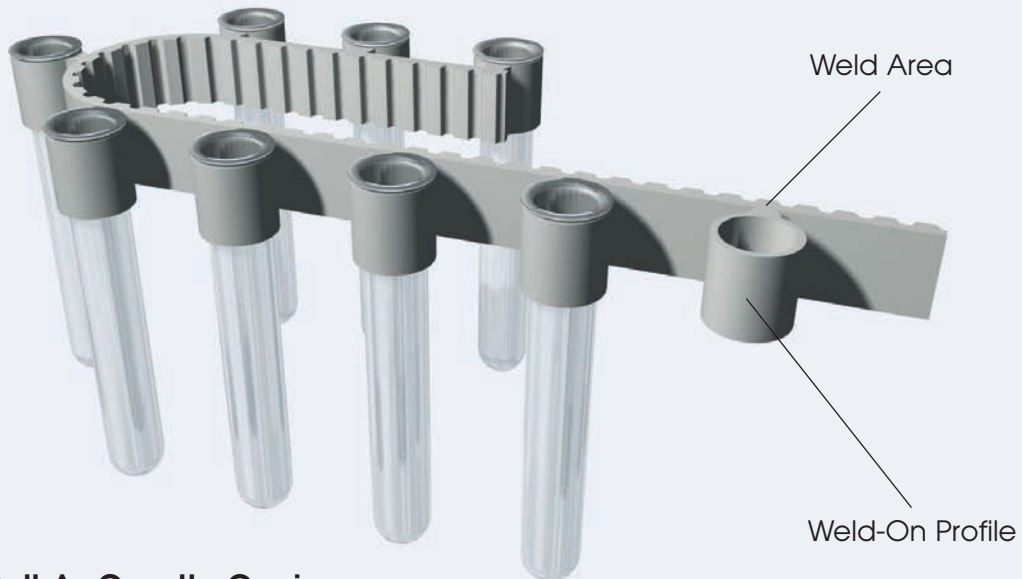
APPLICATION EXAMPLES



APPLICATION EXAMPLES



Pick And Place
Linear Drives - XYZ



Profiled Timing Belt As Cuvette Carrier
Upright Belt Drive For Indexing