

MODEL 700BSB MEDIUM DUTY BOX STYLE SLIDER BED BELT CONVEYOR

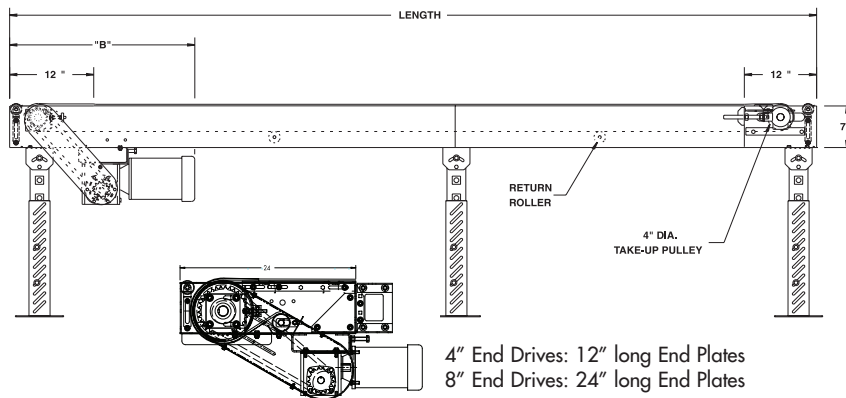
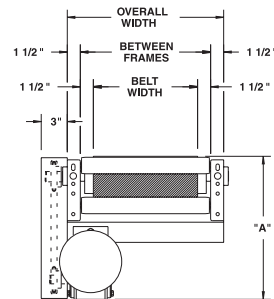


24 HOUR SHIPMENTS INCLUDE ALL 1-FOOT INCREMENTS 5'-0" TO 100'-0"



Conveyor shown with optional supports

Model 700BSB features a box style slider bed which offers a smooth work surface, ideal for workers stationed beside this conveyor. The 700BSB is an economical choice for tasks such as packing, testing and inspecting.



HP @ 60 FPM	"A" MAX		"B" MAX	
	4" DRV.	8" DRV.	4" DRV.	8" DRV.
1/3	16-5/8"	16-5/8"	27-3/32"	33-3/32"
1/2	16-5/8"	16-5/8"	27-3/32"	33-3/32"
3/4	17"	17"	27-23/32"	33-23/32"
1	17-1/4"	17-1/4"	28-15/32"	34-15/32"
1-1/2	18-1/8"	18-1/8"	31-3/32"	37-3/32"
2	19"	19"	32-3/32"	38-3/32"

4" End Drives: 12" long End Plates
8" End Drives: 24" long End Plates

SPECIFICATIONS

BELTING: PVC-120 black.

DRIVE PULLEY: 4" dia. with 1-3/16" dia. shaft or 8" dia. with 1-7/16" dia. shaft, both machine crowned and fully lagged.

TAIL PULLEY: 4" dia., machine crowned, with 1-3/16" dia. shaft.

END DRIVE: Allows one-direction (unit) operation; add optional center drive for reversible application.

SAFETY POP-OUT ROLLER: Standard on both ends, 1.9" dia. x 16 ga. steel roller, model 196S.

TAKE-UP: Screw type unit at tail pulley provides 12" belt take-up.

BED: 7" deep x 12 ga. box type construction.

BEARINGS: All pulley bearings are precision, heavy duty, lubricated, ball bearing units with cast iron housings.

RETURN ROLLERS: 1.9" dia. x 16 ga. steel, model 196S, adjustable.

MOTOR DRIVE: 1/3 HP, 230/460/3, 60 cycle, ODP right angle gear motor.

ROLLER CHAIN: Drive pulley is driven by No. 50 roller chain for 1-1/2 HP or less and No. 60 chain on larger drives. Chain take-up provided on motor base.

BELT SPEED: 60 FPM, constant.

ELECTRICAL CONTROLS: Optional.

⚠ WARNING

Prevent pinch points that exist when belt conveyors are permanently attached to other conveyors or equipment!



SPECIFICATION TABLE

50'-0" lengths and under are equipped with 4" dia. drive pulley; over 50'-0" includes 8" dia. drive pulley

■ 24 hour shipment ■ 2 week shipment

CONVEYOR LENGTH		10'	20'	30'	40'	50'	60'	70'	80'	90'	100'	DEDUCT
BELT	BED	UNIT WEIGHTS (lbs.)										PER FOOT
6"	9"	267	391	515	640	764	888	1012	1137	1261	1385	12
12"	15"	325	497	669	840	1012	1183	1355	1527	1698	1870	17
18"	21"	384	603	822	1041	1260	1479	1698	1917	2136	2355	22
24"	27"	442	709	975	1241	1508	1774	2040	2307	2573	2839	27
30"	33"	501	814	1128	1442	1756	2069	2383	2697	3010	3324	31
36"	39"	559	920	1281	1642	2003	2365	2726	3087	3448	3809	36

OPTIONAL EQUIPMENT

BELTING: Black PVC ruff-top; 3-ply brown neoprene ruff-top; PVC-120 white food grade COS; PVC-150 black COS; 3-ply CN 40 urethane cover. Consult factory for other belting.

CENTER DRIVE: Reversible drive with integral belt take-up of 24". Specify location. Center drive option available on units 6'-0" long and above.

SIDE MOUNTED END DRIVE: Provides minimum conveyor height of 10" TOB (4" dia. drive pulley); 12" TOB (8" dia. drive pulley).

OVERHEAD END DRIVE: Provides minimum conveyor height of 8" TOB (4" dia. drive pulley); 10" TOB (8" dia. drive pulley).

AUXILIARY TAKE-UP: Provides 24" of belt take-up. Specify location. See Power Accessories.

NOSE-OVER: Provides smooth transition from incline to horizontal position. Single nose-over adjusts 0-20°; double nose-over adjusts 0-35°. Feeders also available. See Power Accessories.

UNDERTRUSSED BED: Available to provide clearance underneath unit at bed joint locations. Specify location for undertrussing and desired clearance underneath unit. Consult factory.

SIDE TABLES: Available in 9", 15" and 21" widths (14 ga.) one or both sides. See Power Accessories.

FLOOR SUPPORTS: Supports, knee braces, casters and polytier supports available. See Conveyor Accessories.

CEILING HANGERS: 5/8" dia. threaded rod with hardware to attach rods to conveyor. Provides 6' clearance between ceiling and TOB (furnished in place of floor supports). See Conveyor Accessories.

GUARD RAILS: 1-3/4" x 1" formed channel (model GC), adjusts horizontally to 10" wider than belt and vertically to 6" above belt; formed steel fixed (model FSG in 2", 4", 6", 8", 12", and 18" heights; fixed channel (model FC); 1-1/2" angle (model GA1-1/2). See Conveyor Accessories.

BELT SPEED: Constant speed 10-120 FPM; DC variable speed; AC inverter variable speed. Other constant or variable speeds available.

NOTE: CAPACITY CHANGES WITH SPEED.

MOTORS: Available through 3 HP in TEFC, explosion proof, dirty duty, brake motor, 115/230/1, 575/3, etc.

ELECTRICAL CONTROLS: Magnetic starter (one direction or reversible); One direction manual starter; Momentary start/stop push button station; Forward/reversing /stop push button station. Mounting and pre-wiring for units up to 12' long.



OPTIONAL CENTER DRIVE

