

LOAD INFORMATION

Briefly describe load: _____

Maximum weight: _____

Number of pickup points: _____

Distance between (spacing) pickup points: _____

Is load center of gravity centered between outer pick points? Yes No

If no, specify location in reference to pick points (attach a diagram if necessary): _____

What type of attachment to the load?

Shackles Swivel Hooks Lifting Slings Other (specify) _____

Describe specific requirements: _____

CRANE INFORMATION

Approximate distance between load and crane: _____

Single crane hoist information

Capacity: _____

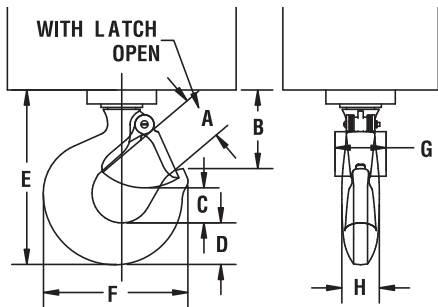
Dual crane hoist information

Distance between: _____

Same capacity? Yes No

If no, specify capacities: _____

CRANE HOOK DATA



- INCHES
- A _____ +0
 - B _____ +0
 - C _____ +0
 - D _____ -0
 - E _____ -0
 - F _____ +/-
 - G _____ -0
 - H _____ -0

Measurement Tolerances

- +0 = Measurement should be no larger but can be smaller than actual.
- 0 = Measurement should be no smaller but can be larger than actual.
- +/- = Measurement can be larger or smaller than actual.

Contact: _____

Company: _____

Address: _____

City, State, Zip: _____

Phone: _____

Fax: _____

Email: _____

