

## Push and Hand-Geared Trolleys



- Capacities 1/4 - 25 tons
- Heavy rolled steel side frames extend beyond the wheels providing superior strength and added protection for trackwheels
- Thick section steel clevis suspended from steel equalizer pin. Alloy steel axles and equalizer pins are heat treated for maximum strength and wear life.
- Trolley wheels are fully machined from alloy cast iron and hardened for high strength and long service life. Units 1/4 through 16 tons employ universal wheel treads for use on flat or tapered beam flanges. 25 ton model operates on American Standard I-beams with tapered flanges. For patented track, consult factory.
- Lifetime lubricated, precision ball bearings standard on units through 3 ton capacity. 4 ton trolleys and greater feature eight, sealed Timken, tapered roller bearings and grease fittings.
- On hand-g geared models, a hand chain operated wheel turns a machined steel drive pinion, engaging the two geared wheels.

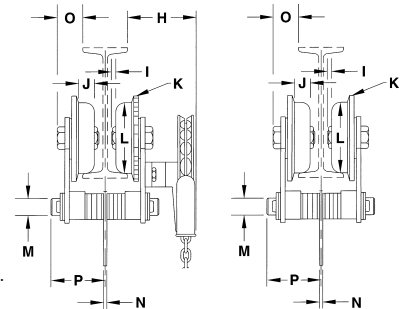
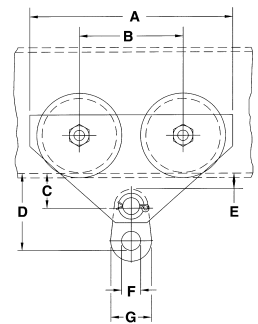
### Specifications & Dimensions

Capacity tons	Model #		Beam Height in	Flange Width in	Minimum Radius Curve in	Net Weight lbs	
	Plain	Geared				Plain	Geared
1/4	1641-0025	1642-0025	4-12	2.66-5.00	20	23	38
1/2	1641-0050	1642-0050	4-12	2.66-5.00	20	23	38
1	1641-0100	1642-0100	5-12	3.00-6.00	24	43	62
1-1/2	1641-0150	1642-0200	5-12	3.00-6.00	24	45	65
2	1641-0200	1642-0300	6-18	3.33-6.25	30	67	90
3	1641-0300	1642-0400	6-18	3.33-6.25	30	70	93
4	1641-0400	1642-0500	8-24	4.00-7.00	36	155	184
5	1641-0500	1642-0600	8-24	4.00-7.00	36	160	188
6	1641-0600	1642-0800	8-24	4.00-7.00	36	160	188
8	1641-0800	1642-1000	10-24	4.62-8.00	60	300	347
10	1641-1000	1642-1200	10-24	4.62-8.00	60	310	360
12	1641-1200	1641-1600	10-24	4.62-8.00	60	310	360
16	1641-1600	1641-1600	18-24	6.00-8.00	96	800	895
20	1642-2000	1642-2000	18-24	6.00-8.00	96	845	955
25	1631-2500	1632-2500	18-24	6.00-8.00	120	1045	1200

Note: Wheels with convex treads are standard on all capacities 1/4 - 20.

20, 25, 30 and 40 ton trolleys can be furnished in tandem construction - Dimensions for 30 thru 50 ton upon request.

Dimensions shown are for minimum beam size and will vary proportionately for larger beams.



Capacity tons	A in	B in	C in	D in	E in	F in	G in	H in	I in	J in	K in	L in	M in	N in	O in	P in
1/4	11-1/2	6	1-7/8	4-7/8	7/8	1-3/4	2-3/4	6	-	7/8	4	2-7/8	1	1/4	2	4-1/8
1/2	11-1/2	6	1-7/8	4-7/8	7/8	1-3/4	2-3/4	6	-	7/8	4	2-7/8	1	1/4	2	4-1/8
1	13-1/4	6-3/4	2-1/4	5-3/8	1	1-3/4	3	6-1/8	-	1-1/8	5	3-3/4	1-1/4	1/4	1-3/4	4-3/4
1-1/2	13-1/4	6-3/4	2-1/4	5-3/8	1	2	3-1/4	6-1/8	-	1-1/8	5	3-3/4	1-1/4	3/8	1-3/4	4-3/4
2	15-5/8	7-5/8	2-5/8	6-3/4	1-1/8	2-1/8	3-5/8	6-1/8	-	1-1/8	6	4-1/2	1-1/2	3/8	2-1/8	5-1/4
3	15-5/8	7-5/8	2-5/8	6-7/8	1-1/8	2-1/4	4	6-1/8	-	1-1/8	6	4-1/2	1-1/2	1/2	2-1/8	5-1/4
4	18-3/4	8-1/2	3-1/4	8-3/8	1-1/4	2-3/4	4-3/4	8-1/8	1/8	1-3/8	8	6-3/8	2	5/8	2-5/8	6-1/8
5	18-3/4	8-1/2	3-1/4	8-5/8	1-1/4	3	5-1/2	8-1/8	1/8	1-3/8	8	6-3/8	2	5/8	2-5/8	6-1/8
6	18-3/4	8-1/2	3-1/4	8-5/8	1-1/4	3	5-1/2	8-1/8	1/8	1-3/8	8	6-3/8	2	5/8	2-5/8	6-1/8
8	23-5/8	10-5/8	3-7/8	10-5/8	1-3/8	3-1/2	6-1/2	9	1/8	1-11/16	10	8-1/4	2-1/2	3/4	3-1/4	6-7/8
10	23-5/8	10-5/8	3-7/8	11-1/8	1-3/8	4-1/2	8	9	1/8	1-11/16	10	8-1/4	2-1/2	1	3-1/4	6-7/8
12	23-5/8	10-5/8	3-7/8	11-1/8	1-3/8	4-1/2	8	9	1/8	1-11/16	10	8-1/4	2-1/2	1	3-1/4	6-7/8
16	28	12	4-3/4	13-3/4	1-7/16	4	9	10-11/16	1/4	1-3/4	11-11/16	9-3/4	3-1/4	1-1/4	4-5/8	7-5/8
20	28	12	4-3/4	16-3/4	1-7/16	4-1/2	10	10-11/16	1/4	1-3/4	11-11/16	9-3/4	3-1/4	1-1/4	4-5/8	7-5/8
25	28-1/4	14	5-7/8	16-3/4	2-1/8	4	10	14-1/2	5/16	2	13-1/2	11-3/4	3-1/4	1-3/4	7	8-1/4

Note: For wide flange beam adaptation, patented track or for beams larger than standard consult factory

For geared trolley weight is shown less chain. 8ft standard zinc plated hand chain drop on geared trolley. Specify curve on order